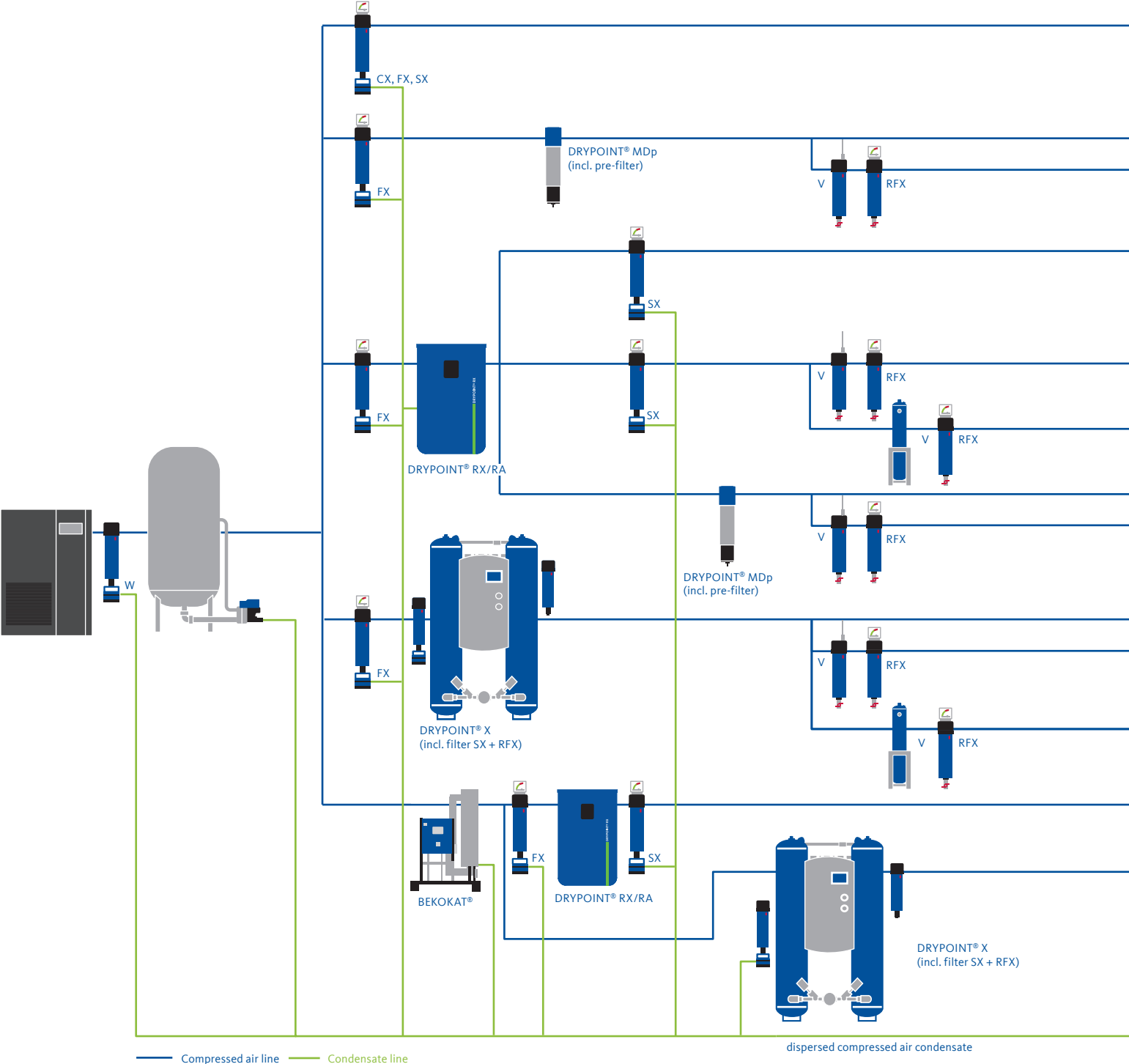




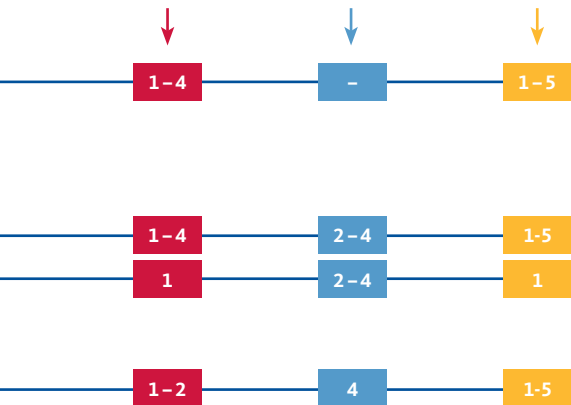
2025 PRICE BOOK

Complete compressed air processing at a glance:



your single source of supply and quality you can rely on.

Solid particles Pressure dew point Oil/oil vapor



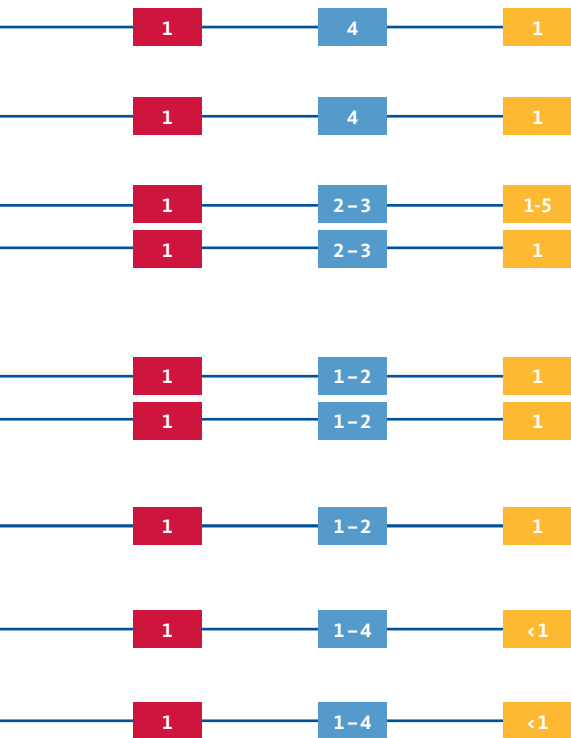
Air quality classes in accordance with ISO 8573-1:2010

Class	Solid particles, max. number of particles per m ³			Pressure dew point °F	Oil content (liquid, aerosol, oil vapor) mg/m ³
	0.1 µm < d ≤ 0.5 µm	0.5 µm < d ≤ 1.0 µm	1.0 µm < d ≤ 5.0 µm		
0	In accordance with the unit operator's or supplier's specifications, stricter requirements than class 1				
1	≤20,000	≤400	≤10	≤-94	≤0.01
2	≤400,000	≤6,000	≤100	≤-40	≤0.1
3	-	≤90,000	≤1,000	≤-4	≤1
4	-	-	≤10,000	≤37	≤5
5	-	-	≤100,000	≤45	>5
6	-	-	-	≤50	-

■ Measured in accordance with ISO 8573-4, ref. conditions 14.5 psi [a] absolute, 68 °F, 0% RH

■ Measured in accordance with ISO 8573-3

■ Measured in accordance with ISO 8573-2 and ISO 8573-5, ref. conditions 14.5 psi [a] absolute, 68 °F, 0% RH



	CLEARPOINT® dust filter RFX/RSX with manual drain with differential pressure indicator		DRYPOINT® RX/RA refrigeration dryer with BEKOMAT®
	CLEARPOINT® coalescence filter CX/FX/SX with BEKOMAT® with differential pressure indicator or filter management		DRYPOINT® MDp / MDi membrane dryer with an integrated nanofilter and adjustable PDP (MDi only)
	CLEARPOINT® A activated carbon filter Option: oil check indicator		DRYPOINT® MDe membrane dryer
	CLEARPOINT® V activated carbon cartridge with oil check indicator		DRYPOINT® X desiccant dryer with inlet and dust filter
	CLEARPOINT® V activated carbon adsorber		BEKOKAT® catalytic converter for oil and bacteria free air
	CLEARPOINT® W water separator with BEKOMAT®		BEKOMAT® intelligent zero air loss condensate drains
	QWIK-PURE® oil-water separation system for dispersed and emulsified condensates		



Contents

CLEARPOINT®

Compressed Air Filtration

Threaded Water Separators	8
Threaded Coalescing and Particulate Filters	10
Threaded Vapor Removal	14
Threaded Activated Carbon Cartridge	15
Flanged Water Separators	16
Flanged Coalescing and Particulate Filters	17
Activated Carbon Adsorption Towers	18
Threaded Compressed Air Heater	19
High Pressure Water Separators and Filters (725 psig)	20
High Pressure Stainless Steel Filters (7,250 psig)	24
Accessories	26
Maintenance and Spare Parts	27

DRYPOINT® RX/RA

Refrigerant Air Dryers

RAc Economy Series Dryers	34
RAx Premium Series Dryers	36
RX Premium Series Dryers NEW!	40
RA CT Series Cycling Dryers.....	44
RA VSD Series Variable Speed Dryers	46
RA HT High Temperature Series (210 °F)	48
RS HP High Pressure Series (725 psig)	50
RA LC Series Air and Gas Chillers	52
Maintenance and Spare Parts	54

DRYPOINT® X

Desiccant Air Dryers

ACC Compact Heatless Series	74
XCe Economy Heatless Series	76
XCp Premium Heatless Series	78
XHe Economy Heated Purge Desiccant Dryers.....	82
XHi Intelligent Heated Purge Desiccant Dryers.....	84
XFe Economy Heated Blower Series	86
XFi ecoIntelligent Heated Blower Series	90
AC HP High Pressure Series (7,250 psig)	94
Maintenance and Spare Parts	96

DRYPOINT® MD

Membrane Air Dryers

MDe, MDp and FDR Product Selector Chart	108
MDe Economy Series Dryers	109
MDp Premium Series Dryers	110
FDR Series Filter, Dryer, Regulator Packages	111
MDi Product Selector Chart	112
MDi ecoIntelligent Series Dryers	113
Accessories	114
Maintenance and Spare Parts	115



Contents

BEKOMAT®

True Zero Air Loss Drains

Product Selector Chart	118
Standard Series	119
Standard High Pressure Series / Stainless Steel High Pressure Series	120
CV Series / NLV Series for Centrifugal Compressors	121
Low Pressure and Vacuum System Series / Explosion Proof Series	122
Large Capacity Series	123
Accessories	124
Maintenance and Spare Parts	126

QWIK-PURE®

Oil-water Separation Solutions

CS High-Efficiency Oil-Water Separators	130
iCS High-Efficiency Oil-Water Separators	131
Accessories	132
Maintenance and Spare Parts	133

METPOINT®

Instrumentation and Monitoring

Pre-configured Stationary Dew Point Meters	140
Pre-configured Stationary Flow Meters	141
Pre-configured Compact Multi-function Monitoring Solutions	142
Configurable Compact Multi-function Monitoring Solutions	143
Pre-configured Full-size Multi-function Monitoring Solutions	144
Configurable Full-size Multi-function Monitoring Solutions	145
Stationary Oil Vapor Monitoring Systems	146
Portable Monitoring Devices	147
Maintenance and Spare Parts	149

BEKOKAT®

Oil-free Air Generation

Advanced Catalytic Conversion Systems	152
Maintenance and Spare Parts	153

COURSES AND PRODUCTS

Industry Training	156
Cutaway, Demo and Educational Products	157

WARRANTY AND TERMS

Cover3More Extended Warranty	160
Terms and Conditions	161



Air Filtration

CLEARPOINT®

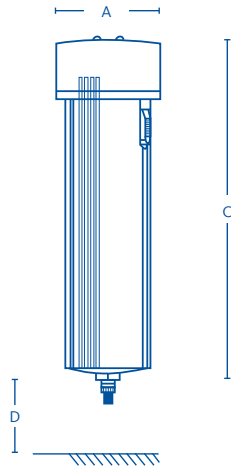
energy saving filtration and separation

- › Threaded Water Separators
- › Threaded Coalescing and Particulate Filters
- › Threaded Vapor Removal and Activated Carbon Filters
- › Flanged Water Separators
- › Flanged Coalescing and Particulate Filters
- › High Pressure Water Separators
- › High Pressure Coalescing and Particulate Filters, and more...

CLEARPOINT® Threaded Water Separators with float drain

- › Removal of large quantities of condensate
- › Used downstream of aftercoolers
- › CRN approved
- › Max. operating pressure: 232 psig
- › Max. operating temperature: 140 °F

Maintenance Interval: < 8,000 hours
Maintenance and Spare Parts: Page 27
Extended Warranty: Page 158



CLEARPOINT®	S040	S045	S050	S075	S100	M010
Pipe Size (NPT)	¾"	½"	½"	¾"	1"	1"
Flow Rate (scfm)	25	30	50	100	125	160
Separator Size	04W	04W	05W	07W	07W	10W

Dimensions and Weight						
A (inches)	2.95	2.95	2.95	3.94	3.94	3.94
C (inches)	7.09	7.09	8.27	11.02	11.02	13.78
D (inches)	5.91	5.91	5.91	5.91	5.91	5.91
Weight (lbs)	1.65	1.65	1.87	3.75	4.18	4.63

THREADED WATER SEPARATOR WITH FLOAT DRAIN

Order ref.	4005005	4020216	4004735	4004736	4020380	4004732
Price (\$)	\$241	\$246	\$266	\$348	\$381	\$407

Price Group 82

ELEMENT GRADE	ELEMENT TYPE	Δ PRESSURE (psid)	REMOVAL RATE
Grade W	Water Separator	.87	99.0%

Correction Factors

Operating Pressure (psig)	20	40	60	80	90	100	110	120	130	140	160	180	200	230
Correction Factor	.30	.48	.65	.82	.91	1.00	1.09	1.17	1.26	1.35	1.52	1.70	1.87	2.13

The correction factors on this page provide an estimation of the performance that can be achieved with the model sizes shown. For precise sizing for your application, please contact your BEKO Technologies sales representative.

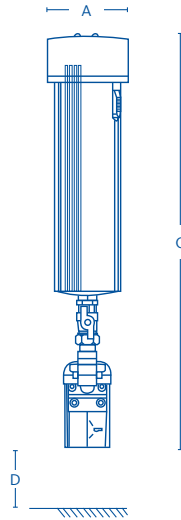
CLEARPOINT® Threaded Water Separators

with BEKOMAT® and connection kit

ECO CHOICE

- › Removal of large quantities of condensate
- › Used downstream of aftercoolers
- › CRN approved
- › Max. operating pressure: 232 psig
- › Max. operating temperature: 140 °F

Maintenance Interval: < 8,000 hours
 Maintenance and Spare Parts: Page 27
 Extended Warranty: Page 158



CLEARPOINT®	S040	S045	S050	S075	S100	M010	M015	M019	M020	M022	M025	M030
Pipe Size (NPT)	¾"	½"	½"	¾"	1"	1"	1½"	1½"	2"	2"	2½"	3"
Flow Rate (scfm)	25	30	50	100	125	160	250	450	500	600	1000	1500
Separator Size	04W	04W	05W	07W	07W	10W	15W	20W	20W	22W	25W	30W
Dimensions and Weight												
A (inches)	2.95	2.95	2.95	3.94	3.94	3.94	5.75	5.75	5.75	5.75	10.24	10.24
C (inches)	15.55	15.55	16.73	19.49	19.49	22.24	22.83	26.89	26.89	30.71	34.88	39.76
D (inches)	5.91	5.91	5.91	5.91	5.91	5.91	6.30	6.30	6.30	6.30	7.87	7.87
Weight (lbs)	1.65	1.65	1.87	3.75	4.18	4.63	9.04	10.61	11.24	13.45	43.87	57.10

THREADED WATER SEPARATOR WITH BEKOMAT

Order ref.	4012253	4020244	4012254	4012255	4020397	4012256	4012257	4020440	4012258	4012259	4012260	4012261
Price (\$)	\$449	\$465	\$476	\$558	\$616	\$690	\$1,041	\$1,210	\$1,239	\$1,319	\$2,680	\$2,877

Price Group 82

ELEMENT GRADE	ELEMENT TYPE	Δ PRESSURE (psid)	REMOVAL RATE
Grade W	Water Separator	.87	99.0%

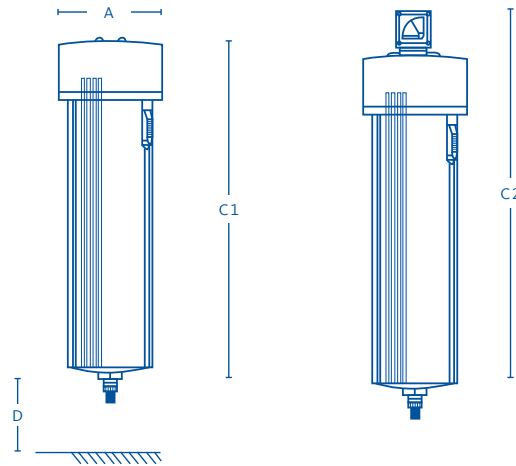
Correction Factors

Operating Pressure (psig)	20	40	60	80	90	100	110	120	130	140	160	180	200	230
Correction Factor	.30	.48	.65	.82	.91	1.00	1.09	1.17	1.26	1.35	1.52	1.70	1.87	2.13

The correction factors on this page provide an estimation of the performance that can be achieved with the model sizes shown. For precise sizing for your application, please contact your BEKO Technologies sales representative.

CLEARPOINT® Threaded Coalescing and Particulate Filters

with float drain with or without differential pressure gauge and eco series elements



CLEARPOINT®	S040	S045	S050	S055	S075	S100	M010	M012	M015
Pipe Size (NPT)	¾"	½"	½"	½"	¾"	1"	1"	1"	1 ½"
Flow Rate (scfm)	25	30	50	80	100	125	160	200	250
Element Size	04*	04*	05*	06*	07*	07*	10*	12*	15*

Dimensions and Weight

A (inches)	2.95	2.95	2.95	2.95	3.94	3.94	3.94	3.94	5.75
C1 (inches)	7.09	7.09	8.27	10.43	11.02	11.02	13.78	15.16	14.17
C2 (inches)	9.65	9.65	10.83	12.99	13.58	13.58	16.34	17.72	16.73
D (inches)	5.91	5.91	5.91	5.91	5.91	5.91	5.91	5.91	6.30
Weight (lbs)	1.65	1.65	1.87	2.65	3.75	4.18	4.63	4.85	9.04

THREADED FILTER WITH FLOAT DRAIN, WITHOUT GAUGE

Order ref. 25 µm	4041816	4020218	4003292	4014086	4003295	4020382	4003298	4021612	4014969
Price (\$)	\$252	\$268	\$298	\$351	\$401	\$438	\$457	\$529	\$752
Order ref. 1 µm	4002890	4020220	4002891	4002892	4002893	4020305	4002894	4002895	4002896
Price (\$)	\$252	\$268	\$298	\$351	\$401	\$438	\$457	\$529	\$752
Order ref. .01 µm	4002950	4020231	4002951	4002952	4002953	4020384	4002954	4002955	4002956
Price (\$)	\$252	\$268	\$298	\$351	\$401	\$438	\$457	\$529	\$752

THREADED FILTER WITH FLOAT DRAIN, WITH GAUGE

Order ref. 25 µm	4017030	4020232	4014415	4014087	4021611	4020385	4004738	4021614	4014423
Price (\$)	\$308	\$339	\$377	\$432	\$471	\$527	\$559	\$632	\$823
Order ref. 1 µm	4015378	4020234	4005492	4006122	4005841	4020387	4005840	4009992	4016030
Price (\$)	\$308	\$339	\$377	\$432	\$471	\$527	\$559	\$632	\$823
Order ref. .01 µm	4003520	4020235	4005073	4006047	4003404	4020388	4003524	4007053	4003405
Price (\$)	\$308	\$339	\$377	\$432	\$471	\$527	\$559	\$632	\$823

Price Group 82

* ELEMENT GRADE	ELEMENT TYPE	MICRON RATING	OIL CARRYOVER	DRY Δ PRESSURE (psid)	WET Δ PRESSURE (psid)
Grade CX	Coarse	25 µm	5 mg/m ³	.44	.73
Grade FX	Fine	1 µm	.05 mg/m ³	.73	1.9
Grade SX	Superfine	.01 µm	.005 mg/m ³	.87	1.7

- › Advanced CLEARPOINT® eco series elements
- › Validated in accordance with ISO 12500-1 and 3
- › CRN approved
- › Filter for natural gas (CNG) on request
- › Max. operating pressure: 232 psig
- › Max. operating temperature: 140 °F

Maintenance Interval: < 8,000 hours
 Maintenance and Spare Parts: Page 27
 Extended Warranty: Page 158

CLEARPOINT®	M018	M019	M020	M022	M023	M025	M027	M030	M032
Pipe Size (NPT)	1 ½"	1 ½"	2"	2"	2"	2 ½"	2 ½"	3"	3"
Flow Rate (scfm)	330	450	500	600	800	1000	1300	1500	1900
Element Size	18*	20*	20*	22*	23*	25*	27*	30*	32*

Dimensions and Weight

A (inches)	5.75	5.75	5.75	5.75	5.75	10.24	10.24	10.24	10.24
C1 (inches)	16.46	18.43	18.43	22.24	26.89	26.42	30.51	35.24	41.14
C2 (inches)	19.02	20.99	20.99	24.80	29.45	29.98	33.07	37.80	43.70
D (inches)	6.30	6.30	6.30	6.30	6.30	7.87	7.87	7.87	7.87
Weight (lbs)	9.92	10.61	11.24	13.45	15.65	43.87	49.82	57.10	65.92

THREADED FILTER WITH FLOAT DRAIN, WITHOUT GAUGE

Order ref. 25 µm	4016180	4020424	4036332	4025163	4017267	4046879	4046881	4027261	4046883
Price (\$)	\$833	\$970	\$1,040	\$1,158	\$1,267	\$2,256	\$2,348	\$2,561	\$3,020
Order ref. 1 µm	4002897	4020426	4002898	4002899	4002900	4002901	4002902	4002903	4002904
Price (\$)	\$833	\$970	\$1,040	\$1,158	\$1,267	\$2,256	\$2,348	\$2,561	\$3,020
Order ref. .01 µm	4002957	4020427	4002958	4002959	4002960	4002961	4002962	4002963	4002964
Price (\$)	\$833	\$970	\$1,040	\$1,158	\$1,267	\$2,256	\$2,348	\$2,561	\$3,020

THREADED FILTER WITH FLOAT DRAIN, WITH GAUGE

Order ref. 25 µm	4021615	4020428	4013962	4013031	4023011	4022717	4022200	4024259	4020916
Price (\$)	\$895	\$1,042	\$1,052	\$1,205	\$1,343	\$2,332	\$2,423	\$2,634	\$3,091
Order ref. 1 µm	4014017	4020430	4011475	4014287	4020281	4003493	4017439	4007154	4016052
Price (\$)	\$895	\$1,042	\$1,052	\$1,205	\$1,343	\$2,332	\$2,423	\$2,634	\$3,091
Order ref. .01 µm	4014542	4020431	4003406	4013032	4003407	4021904	4025162	4022499	4016071
Price (\$)	\$895	\$1,042	\$1,052	\$1,205	\$1,343	\$2,332	\$2,423	\$2,634	\$3,091

Price Group 82

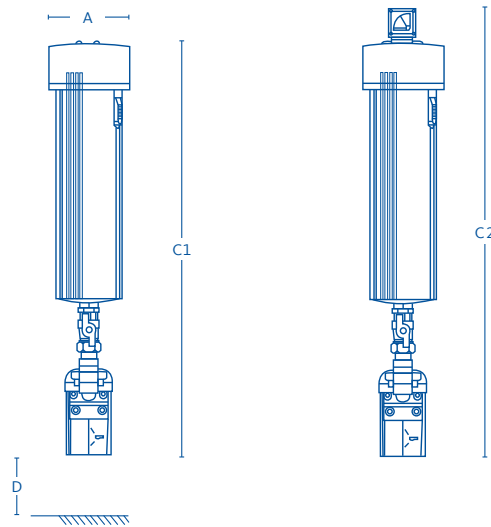
Correction Factors

Operating Pressure (psig)	20	40	60	80	90	100	110	120	130	140	160	180	200	230
Correction Factor	.30	.48	.65	.82	.91	1.00	1.09	1.17	1.26	1.35	1.52	1.70	1.87	2.13

The correction factors on this page provide an estimation of the performance that can be achieved with the model sizes shown. For precise sizing for your application, please contact your BEKO Technologies sales representative.

CLEARPOINT® Threaded Coalescing and Particulate Filters

with BEKOMAT® and connection kit with or without differential pressure gauge and eco series elements



CLEARPOINT®	S040	S045	S050	S055	S075	S100	M010	M012	M015
Pipe Size (NPT)	¾"	½"	½"	½"	¾"	1"	1"	1"	1 ½"
Flow Rate (scfm)	25	30	50	80	100	125	160	200	250
Element Size	04*	04*	05*	06*	07*	07*	10*	12*	15*

Dimensions and Weight

A (inches)	2.95	2.95	2.95	2.95	3.94	3.94	3.94	3.94	5.75
C1 (inches)	15.55	15.55	16.73	18.90	19.49	19.49	22.24	23.62	22.83
C2 (inches)	18.11	18.11	19.29	21.46	22.05	22.05	24.80	26.18	25.39
D (inches)	5.91	5.91	5.91	5.91	5.91	5.91	5.91	5.91	6.30
Weight (lbs)	1.65	1.65	1.87	2.65	3.75	4.18	4.63	4.85	9.04

THREADED FILTER WITH BEKOMAT, WITHOUT GAUGE

Order ref. 25 µm	4047720	4047721	4023800	4047722	4047723	4020398	4006811	4020361	4047724
Price (\$)	\$446	\$469	\$508	\$559	\$612	\$643	\$674	\$704	\$970
Order ref. 1 µm	4047725	4047726	4003156	4047727	4045129	4020400	4003159	4047728	4003161
Price (\$)	\$446	\$469	\$508	\$559	\$612	\$643	\$674	\$704	\$970
Order ref. .01 µm	4047729	4047730	4003186	4047731	4003188	4020401	4003189	4003190	4003191
Price (\$)	\$446	\$469	\$508	\$559	\$612	\$643	\$674	\$704	\$970

THREADED FILTER WITH BEKOMAT, WITH GAUGE

Order ref. 25 µm	4041390	4020249	4047732	4047733	4019878	4020402	4047426	4047734	4014274
Price (\$)	\$517	\$542	\$581	\$632	\$681	\$738	\$786	\$812	\$1,042
Order ref. 1 µm	4014030	4020251	4017447	4034206	4014031	4020404	4014546	4015872	4016192
Price (\$)	\$517	\$542	\$581	\$632	\$681	\$738	\$786	\$812	\$1,042
Order ref. .01 µm	4004517	4020252	4047735	4019917	4014032	4020405	4014547	4015382	4014548
Price (\$)	\$517	\$542	\$581	\$632	\$681	\$738	\$786	\$812	\$1,042

Price Group 82

* ELEMENT GRADE	ELEMENT TYPE	MICRON RATING	OIL CARRYOVER	DRY Δ PRESSURE (psid)	WET Δ PRESSURE (psid)
Grade CX	Coarse	25 µm	5 mg/m ³	.44	.73
Grade FX	Fine	1 µm	.05 mg/m ³	.73	1.9
Grade SX	Superfine	.01 µm	.005 mg/m ³	.87	1.7

- › Advanced CLEARPOINT® eco series elements
- › Validated in accordance with ISO 12500-1 and 3
- › CRN approved
- › Filter for natural gas (CNG) on request
- › Max. operating pressure: 232 psig
- › Max. operating temperature: 140 °F

Maintenance Interval: < 8,000 hours
 Maintenance and Spare Parts: Page 27
 Extended Warranty: Page 158

CLEARPOINT®	M018	M019	M020	M022	M023	M025	M027	M030	M032
Pipe Size (NPT)	1 ½"	1 ½"	2"	2"	2"	2 ½"	2 ½"	3"	3"
Flow Rate (scfm)	330	450	500	600	800	1000	1300	1500	1900
Element Size	18*	20*	20*	22*	23*	25*	27*	30*	32*

Dimensions and Weight

A (inches)	5.75	5.75	5.75	5.75	5.75	10.24	10.24	10.24	10.24
C1 (inches)	24.92	26.89	26.89	30.71	35.35	34.88	38.98	39.76	49.61
C2 (inches)	27.48	29.45	29.45	33.27	37.91	37.44	41.54	42.32	52.17
D (inches)	6.30	6.30	6.30	6.30	6.30	7.87	7.87	7.87	7.87
Weight (lbs)	9.92	10.61	11.24	13.45	15.65	43.87	49.82	57.10	65.92

THREADED FILTER WITH BEKOMAT, WITHOUT GAUGE

Order ref. 25 µm	4047736	4047737	4047738	4047739	4047740	4047741	4047742	4047743	4047744
Price (\$)	\$1,021	\$1,181	\$1,217	\$1,351	\$1,697	\$2,478	\$2,619	\$2,830	\$3,289
Order ref. 1 µm	4015958	4047745	4003163	4015972	4046877	4021460	4047746	4023010	4023806
Price (\$)	\$1,021	\$1,181	\$1,217	\$1,351	\$1,697	\$2,478	\$2,619	\$2,830	\$3,289
Order ref. .01 µm	4047747	4047748	4003193	4003194	4003195	4003196	4047749	4003198	4047750
Price (\$)	\$1,021	\$1,181	\$1,217	\$1,351	\$1,697	\$2,478	\$2,619	\$2,830	\$3,289

THREADED FILTER WITH BEKOMAT, WITH GAUGE

Order ref. 25 µm	4047751	4047752	4047753	4024905	4047754	4047755	4047756	4010436	4047757
Price (\$)	\$1,096	\$1,264	\$1,357	\$1,533	\$1,760	\$2,553	\$2,691	\$2,903	\$3,361
Order ref. 1 µm	4014183	4020447	4006657	4019916	4020290	4014908	4047758	4010403	4021831
Price (\$)	\$1,096	\$1,264	\$1,357	\$1,533	\$1,760	\$2,553	\$2,691	\$2,903	\$3,361
Order ref. .01 µm	4013481	4020448	4015409	4020043	4047759	4020558	4047760	4007153	4021297
Price (\$)	\$1,096	\$1,264	\$1,357	\$1,533	\$1,760	\$2,553	\$2,691	\$2,903	\$3,361

Price Group 82

Correction Factors

Operating Pressure (psig)	20	40	60	80	90	100	110	120	130	140	160	180	200	230
Correction Factor	.30	.48	.65	.82	.91	1.00	1.09	1.17	1.26	1.35	1.52	1.70	1.87	2.13

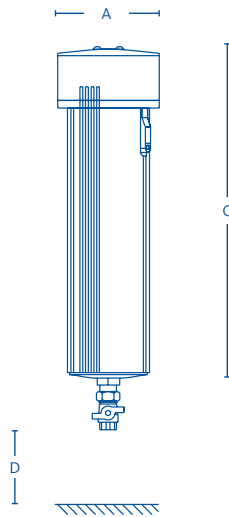
The correction factors on this page provide an estimation of the performance that can be achieved with the model sizes shown. For precise sizing for your application, please contact your BEKO Technologies sales representative.

CLEARPOINT® Threaded Activated Carbon Filters

oil vapor removal filters with manual ball valve

- › With activated carbon filter element
- › Removal of solid particles up to .01 µm
- › Residual oil vapor content down to .003 mg/m³
- › CRN approved
- › Max. inlet moisture: 30% (dryer required upstream)
- › Max. operating pressure: 232 psig
- › Max. operating temperature: 140 °F

Maintenance Interval: < 300 hours
 Maintenance and Spare Parts: Page 27
 Extended Warranty: Page 158



CLEARPOINT®	S040	S045	S050	S055	S075	S100	M010	M012	M015
Pipe Size (NPT)	3/8"	1/2"	1/2"	1/2"	3/4"	1"	1"	1"	1 1/2"
Flow Rate (scfm)	25	30	50	80	100	125	160	200	250
Element Size	04A	04A	05A	06A	07A	07A	10A	12A	15A

Dimensions and Weight

A (inches)	2.95	2.95	2.95	2.95	3.94	3.94	3.94	3.94	5.75
C (inches)	7.09	7.09	8.27	10.43	11.02	11.02	13.78	15.16	14.17
D (inches)	5.91	5.91	5.91	5.91	5.91	5.91	5.91	5.91	6.30
Weight (lbs)	1.65	1.65	1.87	2.65	3.75	4.18	4.63	4.85	9.04

THREADED ACTIVATED CARBON FILTER WITH MANUAL BALL VALVE

Order ref.	4002965	4024599	4002966	4002967	4002968	4023629	4002969	4002970	4002971
Price (\$)	\$252	\$268	\$298	\$351	\$401	\$438	\$457	\$529	\$752

CLEARPOINT®	M018	M019	M020	M022	M023	M025	M027	M030	M032
Pipe Size (NPT)	1 1/2"	1 1/2"	2"	2"	2"	2 1/2"	2 1/2"	3"	3"
Flow Rate (scfm)	330	450	500	600	800	1000	1300	1500	1900
Element Size	18A	20A	20A	22A	23A	25A	27A	30A	32A

Dimensions and Weight

A (in inches)	5.75	5.75	5.75	5.75	5.75	10.24	10.24	10.24	10.24
C1 (in inches)	16.46	16.46	18.43	22.24	26.89	26.42	30.51	35.24	41.14
D (in inches)	6.30	6.30	6.30	6.30	6.30	7.87	7.87	7.87	7.87
Weight (lbs)	9.92	10.61	11.24	13.45	15.65	43.87	49.82	57.10	65.92

THREADED ACTIVATED CARBON FILTER WITH MANUAL BALL VALVE

Order ref.	4002972	4026441	4002973	4002974	4002975	4002976	4002977	4002978	4002979
Price (\$)	\$833	\$970	\$1,040	\$1,158	\$1,267	\$2,256	\$2,348	\$2,561	\$3,020

Price Group 84

ELEMENT GRADE	ELEMENT TYPE	MICRON RATING	OIL CARRYOVER	Δ PRESSURE (psid)
Grade A	Activated Carbon Element	.01 µm	.003 mg/m ³	1.02

Correction Factors

Operating Pressure (psig)	20	40	60	80	90	100	110	120	130	140	160	180	200	230
Correction Factor	.30	.48	.65	.82	.91	1.00	1.09	1.17	1.26	1.35	1.52	1.70	1.87	2.13

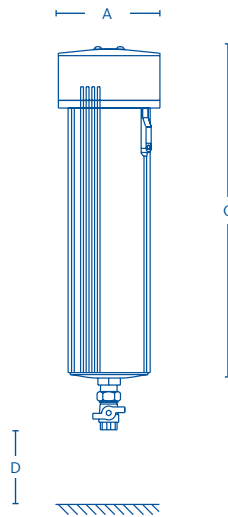
The correction factors on this page provide an estimation of the performance that can be achieved with the model sizes shown. For precise sizing for your application, please contact your BEKO Technologies sales representative.

CLEARPOINT® Threaded Activated Carbon Cartridge Filters

oil vapor removal filters with manual ball valve

- › With activated carbon filter cartridge
- › Removal of solid particles up to 1 µm
- › Residual oil vapor content down to .003 mg/m³
- › CRN approved
- › Max. inlet moisture: 30% (dryer required upstream)
- › Max. operating pressure: 232 psig
- › Max. operating temperature: 140 °F

Maintenance Interval: < 1,000 hours
 Maintenance and Spare Parts: Page 27
 Extended Warranty: Page 158



CLEARPOINT®	S055	M010	M018
Pipe Size (NPT)	½"	1"	1 ½"
Flow Rate (scfm)	29	59	118
Cartridge Size	06V	10V	18V
Dimensions and Weight			
A (inches)	2.95	3.94	5.75
C (inches)	10.43	13.78	16.46
D (inches)	5.91	5.91	6.30
Weight (lbs)	2.65	4.63	9.92

THREADED ACTIVATED CARBON CARTRIDGE FILTER WITH MANUAL BALL VALVE

Order ref.	4013174	4047761	4017502
Price (\$)	\$594	\$951	\$1,541

Price Group 84

ELEMENT GRADE	ELEMENT TYPE	MICRON RATING	OIL CARRYOVER	Δ PRESSURE (psid)
Grade V	Activated Carbon Cartridge	1 µm	.003 mg/m ³	.54

Correction Factors

Operating Pressure (psig)	20	40	60	80	90	100	110	120	130	140	160	180	200	230
Correction Factor	.30	.48	.65	.82	.91	1.00	1.09	1.17	1.26	1.35	1.52	1.70	1.87	2.13

The correction factors on this page provide an estimation of the performance that can be achieved with the model sizes shown. For precise sizing for your application, please contact your BEKO Technologies sales representative.

CLEARPOINT® Flanged Water Separators

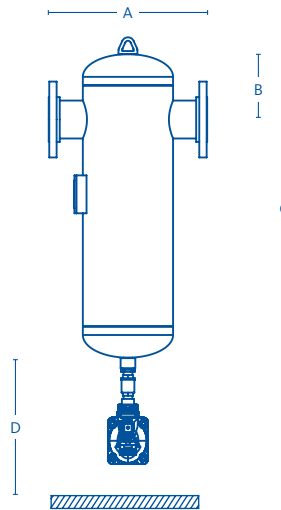
with BEKOMAT® and connection kit

- › Removal of large quantities of condensate
- › Used downstream of aftercoolers
- › BEKOMAT® drain as standard
- › Designed according to ASME Sec. VIII, Div. 1
- › UM stamp standard and CRN optional
- › Max. operating pressure: 232 psig
- › Max. operating temperature: 140 °F

Maintenance Interval: < 8,000 hours

Maintenance and Spare Parts: Page 27

Extended Warranty: Page 158



CLEARPOINT®	L100	L102	L150	L156	L200	L204	L254	L304
Pipe Size (ANSI)	4"	4"	6"	6"	8"	8"	10"	12"
Flow Rate (scfm)	1900	2800	3800	6500	7500	9300	13000	21000
Separator Size	88W							

Dimensions and Weight

A (inches)	16.75	18.88	21.00	21.13	22.88	27.50	31.50	35.50
B (inches)	8.81	9.75	10.88	12.81	14.88	15.56	16.75	17.63
C (inches)	39	39.25	54.06	54.62	68.56	73.69	87.06	99.44
D (inches)	15.00	15.00	15.00	20.00	20.00	20.00	20.00	20.00
Weight (lbs)	150	230	294	350	500	562	653	741

FLANGED WATER SEPARATORS WITH BEKOMAT

Order ref.	4033071	4033072	4047762	4047763	4047764	4047765	4047766	4047767
Price (\$)	\$5,321	\$6,728	\$8,454	\$9,431	\$11,276	\$13,269	\$17,648	\$19,138

Price Group 80

ELEMENT GRADE	ELEMENT TYPE	DRY Δ PRESSURE (psid)	REMOVAL RATE
Grade W	Water Separator	.87	99.0%

Correction Factors

Operating Pressure (psig)	20	40	60	80	90	100	110	120	130	140	160	180	200	230
Correction Factor	.30	.48	.65	.82	.91	1.00	1.09	1.17	1.26	1.35	1.52	1.70	1.87	2.13

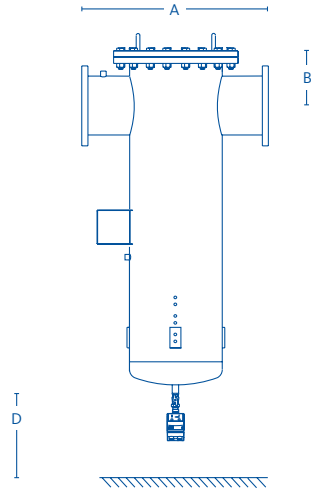
The correction factors on this page provide an estimation of the performance that can be achieved with the model sizes shown. For precise sizing for your application, please contact your BEKO Technologies sales representative.

CLEARPOINT® Flanged Coalescing and Particulate Filters

with BEKOMAT® and connection kit with differential pressure gauge

- › Advanced CLEARPOINT® eco series elements
- › Validated in accordance with ISO 12500
- › Designed according to ASME Sec. VIII, Div. 1
- › UM stamp standard and CRN optional
- › Max. operating pressure: 232 psig
- › Max. operating temperature: 140 °F

Maintenance Interval: < 8,000 hours
 Maintenance and Spare Parts: Page 27
 Extended Warranty: Page 158



CLEARPOINT®	L100	L102	L150	L156	L200	L204	L254	L304
Pipe Size (ANSI)	4"	4"	6"	6"	8"	8"	10"	12"
Flow Rate (scfm)	1900	2800	3800	6500	7500	9300	13000	21000
Element Size	88*							

Dimensions and Weight

A (inches)	21.25	21.25	23.50	23.75	28.00	30.31	34.65	38.98
B (inches)	6.88	7.13	8.00	8.25	9.50	9.75	9.88	10.87
C (inches)	46.50	47.38	46.88	50.38	53.00	56.34	60.18	64.26
D (inches)	13.00	18.00	18.00	18.00	18.00	18.00	18.00	18.00
Weight (lbs)	195	266	283	328	534	623	727	825

FLANGED FILTER WITH BEKOMAT, WITH GAUGE

Order ref. 25 µm	4047768	4047769	4047770	4047771	4046762	4046765	4047772	4047773
Price (\$)	\$6,753	\$8,409	\$10,059	\$12,416	\$15,392	\$17,965	\$24,588	\$30,305
Order ref. 1 µm	4020749	4020761	4020864	4020874	4057036	4037501	4047774	4047775
Price (\$)	\$6,753	\$8,409	\$10,059	\$12,416	\$15,392	\$17,965	\$24,588	\$30,305
Order ref. .01 µm	4020750	4020762	4020865	4047776	4041302	4046764	4047777	4047778
Price (\$)	\$6,753	\$8,409	\$10,059	\$12,416	\$15,392	\$17,965	\$24,588	\$30,305

FLANGED ACTIVATED CARBON FILTER WITH MANUAL BALL VALVE, WITHOUT GAUGE

Order ref. Activated Carbon	4020751	4020763	4020866	4047779	4046763	4046766	4047780	4047781
Price (\$)	\$6,285	\$7,923	\$9,570	\$11,928	\$14,878	\$17,478	\$24,268	\$29,794

Price Group 80

* ELEMENT GRADE	ELEMENT TYPE	MICRON RATING	OIL CARRYOVER	OIL VAPOR	DRY Δ PRESSURE (psid)	WET Δ PRESSURE (psid)	APPROVALS
Grade CX	Coarse	25 µm	5 mg/m ³	-	.44	.73	ASME Coded Vessel with UM Stamp as standard (CRN Optional)
Grade FX	Fine	1 µm	.05 mg/m ³	-	.73	1.9	
Grade SX	Superfine	.01 µm	.005 mg/m ³	-	.87	1.7	
Grade A	Activated Carbon	.01 µm	-	.003 mg/m ³	1.45	-	

Correction Factors

Operating Pressure (psig)	20	40	60	80	90	100	110	120	130	140	160	180	200
Correction Factor	.30	.48	.65	.82	.91	1.00	1.09	1.17	1.26	1.35	1.52	1.70	1.87

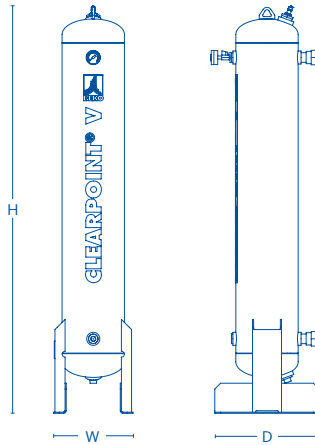
The correction factors on this page provide an estimation of the performance that can be achieved with the model sizes shown. For precise sizing for your application, please contact your BEKO Technologies sales representative.

CLEARPOINT® V Activated Carbon Adsorption Towers

in-line oil vapor removal towers with activated carbon fill

- › Filled with activated carbon adsorbent
- › Required pre-filtration: .01 µm
- › Residual oil vapor content down to .003 mg/m³
- › Max. inlet moisture: 30% (dryer required upstream)
- › Max. operating pressure: 150 psig
- › Max. operating temperature: 120 °F

Maintenance Interval: < 8,000 hours
 Maintenance and Spare Parts: Page 27
 Extended Warranty: Page 158



CLEARPOINT® V	V80	V100	V120	V160	V200	V250	V300	V400	V500
Pipe Size (NPT)	1"	1"	1"	1½"	1½"	1½"	1½"	2"	2"
Flow Rate (scfm)	80	100	120	160	200	250	300	400	500
Dimensions and Weight									
H x W x D (inches)	58 x 11 x 17	70 x 11 x 17	70 x 11 x 17	70 x 14 x 19	70 x 14 x 19	77 x 16 x 23	77 x 16 x 23	68 x 17 x 24	78 x 19 x 26
Empty Weight (lbs)	190	190	196	224	260	273	312	356	427
Total Fill (lbs)	24	30	35	48	60	75	90	120	152

ACTIVATED CARBON ADSORPTION TOWER (FILTRATION REQUIRED)

Order ref.	4034705	4034706	4034707	4034708	4034709	4034710	4034711	4034712	4034713
Price (\$)	\$3,390	\$4,013	\$4,150	\$4,566	\$5,119	\$5,396	\$5,672	\$6,916	\$7,608

Price Group 84

REQUIRED FILTERS, NOT MOUNTED

	S100	M015	M018	M020
Pre-Filter .01 µm	4020388	4003405	4014542	4003406
Price (\$)	\$527	\$823	\$895	\$1,052

Price Group 82

CLEARPOINT® V	V650	V800	V1000	V1200	V1500	V1900	V2300	V2800
Pipe Size	2½"	2½"	2½" Flange	2½" Flange	3" Flange	3" Flange	4" Flange	4" Flange
Flow Rate (scfm)	650	800	1000	1200	1500	1900	2300	2800
Dimensions and Weight								
H x W x D (inches)	74 x 22 x 29	72 x 24 x 31	85 x 24 x 26	84 x 26 x 27	90 x 28 x 29	77 x 35 x 35	93 x 35 x 35	83 x 40 x 41
Empty Weight (lbs)	583	609	734	872	1,380	1,737	2,168	2,360
Total Fill (lbs)	199	246	286	344	430	544	659	802

ACTIVATED CARBON ADSORPTION TOWER (FILTRATION REQUIRED)

Order ref.	4034714	4034715	4034716	4034717	4034718	4034719	4034720	4034721
Price (\$)	\$7,875	\$9,863	\$12,442	\$12,832	\$15,481	\$17,305	\$19,510	\$21,174

Price Group 84

REQUIRED FILTERS, NOT MOUNTED

	M025	M027	M030	L102
Pre-Filter .01 µm	4021904	4025162	4022499	4020762
Price (\$)	\$2,332	\$2,423	\$2,634	\$8,409

Price Group 82

Correction Factors

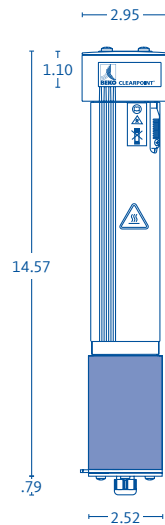
Operating Pressure (psig)	60	70	80	90	100	110	120	130	140	150
Correction Factor	.65	.74	.83	.91	1.00	1.12	1.16	1.2	1.25	1.29

CLEARPOINT® H Threaded Compressed Air Heaters

in-line compressed air heater with user adjustable temperature

- › For the adjustable heating of compressed air
- › Adjustable temperature from 86 °F to 140 °F
- › Includes line cord 8.2 ft(2.5m) with US-plug
- › Encapsulated corrosion-free stainless-steel heating cartridges
- › Available touch protection option
- › Max. operating pressure: 232 psig

No Maintenance Required
Extended Warranty: Page 158



CLEARPOINT® H	S040	S050
Pipe Size (NPT)	3/8"	1/2"
Max. Volume Flow at 100 psig	30 scfm	60 scfm
Compressed Air Outlet Temperature Adjustment Range (°F)	86 °F to 140 °F	86 °F to 140 °F
Max. Operating Pressure (psig)	232	232
Pressure Differential	< 2.18 psig	< 2.90 psig
Voltage	115 VAC / 60 Hz +/-10%	115 VAC / 60 Hz +/-10%
Inlet Temperature Range (°F)	36 °F to 122 °F	36 °F to 122 °F
Ambient Temperature Range (°F)	36 °F to 122 °F	36 °F to 122 °F
Internal Safety Auto-off Temperature (°F)	183 °F	183 °F
Max. Housing Temperature (°F)	176 °F	176 °F
Max. Compressed Air Outlet Temperature (°F)	140 °F	140 °F
Max. Power Consumption	750	750
Volume (l)	0.42	0.42
Weight (lbs)	5.3	5.3
Protection Class	IP 54	IP 54

THREADED COMPRESSED AIR HEATER

Order ref.	4029051	4012743
Price (\$)	\$1,950	\$2,070

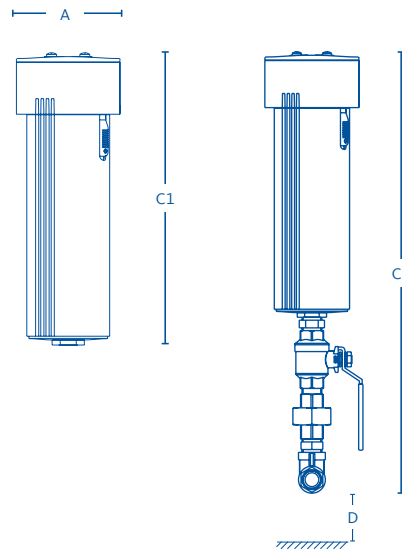
Price Group 84

CLEARPOINT® PN50 Threaded High Pressure Water Separators

with open port or with BEKOMAT® connection kit (drain sold separately) without pressure gauge

- › Removal of large quantities of condensate
- › Used downstream of aftercooler
- › Max. operating temperature: 140 °F
- › Max. operating pressure: 725 psig

Maintenance Interval: < 8,000 hours
 Maintenance and Spare Parts: Page 27
 Extended Warranty: Page 158



CLEARPOINT® PN50	HP50S040	HP50S050	HP50S075	HP50M010	HP50M015	HP50M020
Pipe Size (NPT)	3/8"	1/2"	3/4"	1"	1 1/2"	2"
Flow Rate (scfm)	100	190	440	600	1000	1720
Separator Size	04W	05W	07W	10W	15W	20W

Dimensions and Weight

A (inches)	2.95	2.95	3.95	3.95	5.75	5.75
C1 (inches)	7.10	8.30	11.00	13.80	14.40	18.40
C2 (inches)	16.50	16.50	20.50	23.20	23.80	27.80
D (inches)	7.10	7.10	7.10	7.10	7.10	7.10
Weight (lbs)	1.65	1.85	3.75	4.63	9.04	11.24

THREADED HIGH PRESSURE WATER SEPARATOR WITH OPEN PORT

Order ref.	4025277	4044760	4020962	4034366	4041616	4026603
Price (\$)	\$449	\$576	\$901	\$1,115	\$1,402	\$1,888

THREADED HIGH PRESSURE WATER SEPARATOR WITH DRAIN CONNECTION KIT

Order ref.	4012590	4014556	4014435	4032180	4033059	4015959
Price (\$)	\$716	\$808	\$1,095	\$1,289	\$1,566	\$2,122

Price Group 82

OPTIONAL DRAIN

BEKOMAT® 12 CO PN63	2002931
Price (\$)	\$1,300

Price Group 10

ELEMENT GRADE	ELEMENT TYPE	Δ PRESSURE (psid)	REMOVAL RATE
Grade W	Water Separator	.87	99.0%

Correction Factors

Operating Pressure (psig)	60	90	100	150	200	300	450	600	725
Correction Factor	.14	.18	.24	.35	.43	.59	.73	.88	1.00

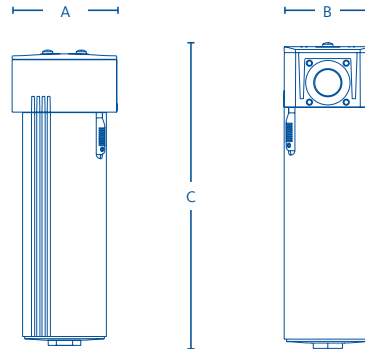
The correction factors on this page provide an estimation of the performance that can be achieved with the model sizes shown. For precise sizing for your application, please contact your BEKO Technologies sales representative.

CLEARPOINT® PN50 Threaded Coalescing and Particulate High Pressure Filters

with open port without pressure gauge

- › Advanced CLEARPOINT® eco series elements
- › Validated in accordance with ISO 12500-1 and 3
- › Max. operating temperature: 140 °F
- › Max. operating pressure: 725 psig

Maintenance Interval: < 8,000 hours
 Maintenance and Spare Parts: Page 27
 Extended Warranty: Page 158



CLEARPOINT® PN50	HP50S040	HP50S050	HP50S055	HP50S075	HP50M010	HP50M012	HP50M015	HP50M018	HP50M020	HP50M022	HP50M023
Pipe Size	3/8"	1/2"	1/2"	3/4"	1"	1"	1 1/2"	1 1/2"	2"	2"	2"
Flow Rate (scfm)	100	190	300	440	600	710	1000	1210	1720	2065	2750
Element Size	04*	05*	06*	07*	10*	12*	15*	18*	20*	22*	23*

Dimensions and Weight

A (inches)	2.36	2.36	2.36	3.15	3.15	3.15	4.72	4.72	4.72	4.72	4.72
B (inches)	2.95	2.95	2.95	3.95	3.95	3.95	5.75	5.75	5.75	5.75	5.75
C (inches)	7.10	8.30	10.40	11.00	13.80	15.20	14.40	16.50	18.40	22.20	26.90
Weight (lbs)	1.65	1.85	2.65	3.75	4.63	4.85	9.04	9.92	11.24	13.45	15.65

THREADED HIGH PRESSURE FILTER WITH OPEN PORT, WITHOUT GAUGE

Order ref. 25 µm	4011170	4020143	4025582	4010824	4047782	4047783	4011137	4047784	4011135	4047785	4047786
Price (\$)	\$458	\$611	\$712	\$941	\$1,115	\$1,276	\$1,426	\$1,679	\$1,984	\$2,148	\$2,355
Order ref. 1 µm	4011169	4009817	4009830	4010826	4033252	4011477	4047787	4047788	4029879	4047789	4047790
Price (\$)	\$458	\$611	\$712	\$941	\$1,115	\$1,276	\$1,426	\$1,679	\$1,984	\$2,148	\$2,355
Order ref. .01 µm	4025278	4020144	4014624	4024031	4047791	4047792	4011133	4047793	4011134	4047794	4047795
Price (\$)	\$458	\$611	\$712	\$941	\$1,115	\$1,276	\$1,426	\$1,679	\$1,984	\$2,148	\$2,355

Price Group 82

* ELEMENT GRADE	ELEMENT TYPE	MICRON RATING	OIL CARRYOVER	OIL VAPOR	DRY Δ PRESSURE (psid)
Grade CX	Coarse	25 µm	5 mg/m ³	-	.54
Grade FX	Fine	1 µm	.05 mg/m ³	-	.86
Grade SX	Superfine	.01 µm	.005 mg/m ³	-	1.04
Grade A	Activated Carbon	.01 µm	-	.003 mg/m ³	.70

Correction Factors

Operating Pressure (psig)	60	90	100	150	200	300	450	600	725
Correction Factor	.14	.18	.24	.35	.43	.59	.73	.88	1.00

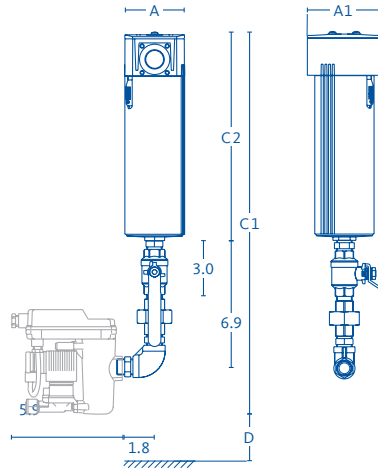
The correction factors on this page provide an estimation of the performance that can be achieved with the model sizes shown. For precise sizing for your application, please contact your BEKO Technologies sales representative.

CLEARPOINT® PN50 Threaded Coalescing and Particulate High Pressure Filters

with BEKOMAT® connection kit (drain sold separately) without pressure gauge

- › Advanced CLEARPOINT® eco series elements
- › Validated in accordance with ISO 12500-1 and 3
- › Shown with BEKOMAT® 12 CO PN 63 (optional)
- › Filter for natural gas (CNG) on request
- › Max. operating temperature: 140 °F
- › Max. operating pressure: 725 psig

Maintenance Interval: < 8,000 hours
 Maintenance and Spare Parts: Page 27
 Extended Warranty: Page 158



CLEARPOINT® PN50	HP50S040	HP50S050	HP50S055	HP50S075	HP50M010	HP50M012	HP50M015	HP50M018	HP50M020	HP50M022	HP50M023
Pipe Size	3/8"	1/2"	1/2"	3/4"	1"	1"	1 1/2"	1 1/2"	2"	2"	2"
Flow Rate (scfm)	100	190	300	440	600	710	1000	1210	1720	2065	2750
Element Size	04*	05*	06*	07*	10*	12*	15*	18*	20*	22*	23*

Dimensions and Weight

A (inches)	2.95	2.95	2.95	3.95	3.95	3.95	5.75	5.75	5.75	5.75	5.75
A1 (inches)	2.36	2.36	2.36	3.15	3.15	3.15	4.72	4.72	4.72	4.72	4.72
C1 (inches)	16.50	16.50	19.90	20.50	23.20	24.60	23.80	25.90	27.80	31.60	36.30
C2 (inches)	7.10	8.30	10.40	11.00	13.80	15.20	14.40	16.50	18.40	22.20	26.90
D (inches)	7.10	7.10	7.10	7.10	7.10	7.10	7.10	7.10	7.10	7.10	7.10
Weight (lbs)	1.65	1.85	2.65	3.75	4.63	4.85	9.04	9.92	11.24	13.45	15.65

THREADED HIGH PRESSURE FILTER WITH DRAIN CONNECTION KIT, WITHOUT GAUGE

Order ref. 25 µm	4012593	4047796	4047797	4047798	4047799	4047800	4047801	4047802	4047803	4047804	4047805
Price (\$)	\$716	\$808	\$912	\$1,153	\$1,252	\$1,490	\$1,566	\$1,755	\$2,122	\$2,332	\$2,537
Order ref. 1 µm	4020169	4029877	4047806	4037961	4032540	4047807	4017646	4047808	4015401	4047809	4045235
Price (\$)	\$716	\$808	\$912	\$1,153	\$1,252	\$1,490	\$1,566	\$1,755	\$2,122	\$2,332	\$2,537
Order ref. .01 µm	4012594	4029878	4039185	4047810	4032539	4047811	4017647	4047812	4037533	4047813	4047814
Price (\$)	\$716	\$808	\$912	\$1,153	\$1,252	\$1,490	\$1,566	\$1,755	\$2,122	\$2,332	\$2,537

Price Group 82

OPTIONAL DRAIN

BEKOMAT® 12 CO PN63	2002931
Price (\$)	\$1,300

Price Group 10

* ELEMENT GRADE	ELEMENT TYPE	MICRON RATING	OIL CARRYOVER	OIL VAPOR	DRY Δ PRESSURE (psid)
Grade CX	Coarse	25 µm	5 mg/m ³	-	.54
Grade FX	Fine	1 µm	.05 mg/m ³	-	.86
Grade SX	Superfine	.01 µm	.005 mg/m ³	-	1.04
Grade A	Activated Carbon	.01 µm	-	.003 mg/m ³	.70

Correction Factors

Operating Pressure (psig)	60	90	100	150	200	300	450	600	725
Correction Factor	.14	.18	.24	.35	.43	.59	.73	.88	1.00

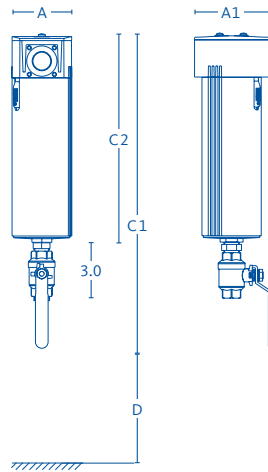
The correction factors on this page provide an estimation of the performance that can be achieved with the model sizes shown. For precise sizing for your application, please contact your BEKO Technologies sales representative.

CLEARPOINT® PN50 Threaded Activated Carbon High Pressure Filters

oil vapor removal filters with manual ball valve

- › With activated carbon filter element
- › Removal of solid particles up to .01 µm
- › Residual oil vapor content down to .003 mg/m³
- › Max. inlet moisture: 30% (dryer required upstream)
- › Max. operating pressure: 725 psig
- › Max. operating temperature: 140 °F

Maintenance Interval: 300 hours
 Maintenance and Spare Parts: Page 27
 Extended Warranty: Page 158



CLEARPOINT® PN50	HP50S040	HP50S050	HP50S055	HP50S075	HP50M010	HP50M012	HP50M015	HP50M018	HP50M020	HP50M022	HP50M023
Pipe Size	3/8"	1/2"	1/2"	3/4"	1"	1"	1 1/2"	1 1/2"	2"	2"	2"
Flow Rate (scfm)	100	190	300	440	600	710	1000	1210	1720	2065	2750
Element Size	04A	05A	06A	07A	10A	12A	15A	18A	20A	22A	23A

Dimensions and Weight

A (inches)	2.95	2.95	2.95	3.95	3.95	3.95	5.75	5.75	5.75	5.75	5.75
A1 (inches)	2.36	2.36	2.36	3.15	3.15	3.15	4.72	4.72	4.72	4.72	4.72
C1 (inches)	16.50	16.50	19.90	20.50	23.20	24.60	23.80	25.90	27.80	31.60	36.30
C2 (inches)	7.10	8.30	10.40	11.00	13.80	15.20	14.40	16.50	18.40	22.20	26.90
D (inches)	7.10	7.10	7.10	7.10	7.10	7.10	7.10	7.10	7.10	7.10	7.10
Weight (lbs)	1.65	1.85	2.65	3.75	4.63	4.85	9.04	9.92	11.24	13.45	15.65

THREADED HIGH PRESSURE ACTIVATED CARBON FILTER WITH MANUAL BALL VALVE

Order ref.	4022651	4037829	4025580	4031610	4042507	4047815	4047816	4047817	4015633	4047818	4047819
Price (\$)	\$716	\$808	\$912	\$1,153	\$1,252	\$1,490	\$1,566	\$1,755	\$2,122	\$2,332	\$2,537

Price Group 82

ELEMENT GRADE	ELEMENT TYPE	MICRON RATING	OIL CARRYOVER	OIL VAPOR	DRY Δ PRESSURE (psid)
Grade A	Activated Carbon	.01 µm	-	.003 mg/m ³	.70

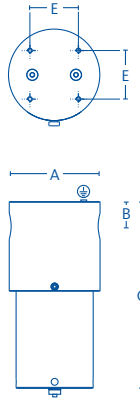
Correction Factors

Operating Pressure (psig)	60	90	100	150	200	300	450	600	725
Correction Factor	.14	.18	.24	.35	.43	.59	.73	.88	1.00

The correction factors on this page provide an estimation of the performance that can be achieved with the model sizes shown. For precise sizing for your application, please contact your BEKO Technologies sales representative.

CLEARPOINT® HP High Pressure Filters

with open port without pressure gauge



CLEARPOINT® HP 100	HP100S040	HP100S045	HP100S050	HP100S055	HP100S075	HP100M010	HP100M015	HP100M020
Max. Operating Pressure (psig)	1,450	1,450	1,450	1,450	1,450	1,450	1,450	1,450
Pipe Size (NPT)	3/8"	3/8"	1/2"	1/2"	3/4"	1"	1 1/2"	2"
Flow Rate (scfm)	25	60	160	270	400	700	1000	2000

HIGH PRESSURE FILTER WITH OPEN PORT, WITHOUT GAUGE

Order ref.	HP100S040 ...WC	HP100S045 ...WC	HP100S050 ...WC	HP100S055 ...WC	HP100S075 ...WC	HP100M010 ...WC	HP100M015 ...WC	HP100M020 ...WC
Price (\$)	\$1,476	\$1,624	\$1,983	\$2,559	\$3,452	\$4,906	\$7,819	\$9,165

... Choose one CX / FX / SX / A and insert element grade to Order ref. number. See chart below*.

CLEARPOINT® HP 350	HP350S030	HP350S040	HP350S045	HP350S050	HP350S075	HP350M010	HP350M012	HP350M015
Max. Operating Pressure (psig)	5,075	5,075	5,075	5,075	5,075	5,075	5,075	5,075
Pipe Size (NPT)	1/4"	3/8"	3/8"	1/2"	3/4"	1"	1"	1 1/2"
Flow Rate (scfm)	30	75	205	350	520	920	1300	2600

HIGH PRESSURE FILTER WITH OPEN PORT, WITHOUT GAUGE

Order ref.	HP350S030 ...WC	HP350S040 ...WC	HP350S045 ...WC	HP350S050 ...WC	HP350S075 ...WC	HP350M010 ...WC	HP350M012 ...WC	HP350M015 ...WC
Price (\$)	\$2,295	\$2,481	\$3,102	\$3,374	\$5,798	\$7,269	\$9,770	\$12,128

... Choose one CX / FX / SX / A and insert element grade to Order ref. number. See chart below*.

CLEARPOINT® HP 500	HP500S030	HP500S040	HP500S045	HP500S050
Max. Operating Pressure (psig)	7,250	7,205	7,250	7,250
Pipe Size (NPT)	1/4"	3/8"	3/8"	1/2"
Flow Rate (scfm)	30	80	220	380

HIGH PRESSURE FILTER WITH OPEN PORT, WITHOUT GAUGE

Order ref.	HP500S030 ...WC	HP500S040 ...WC	HP500S045 ...WC	HP500S050 ...WC
Price (\$)	\$2,752	\$2,996	\$3,723	\$4,072

... Choose one CX / FX / SX / A and insert element grade to Order ref. number. See chart below*.

OPTIONAL ACCESSORIES

Needle Valve for HP 100 / 350	4016153
Price (\$)	\$437
Needle Valve for HP 500	4038134
Price (\$)	\$2,491

Price Group 81

* ELEMENT GRADE	ELEMENT TYPE	MICRON RATING	OIL CARRYOVER	OIL VAPOR	DRY Δ PRESSURE (psid)
Grade CX	Coarse	25 µm	10 mg/m ³	-	.54
Grade FX	Fine	1 µm	.1 mg/m ³	-	.86
Grade SX	Superfine	.01 µm	.01 mg/m ³	-	1.04
Grade A	Activated Carbon	-	-	.003 mg/m ³	.70

- › Stainless steel housing
- › Max. operating temperature: 140 °F (HP350S075 and HP350M010 only)
- › Max. operating temperature: 248 °F (all other models)
- › Max. inlet pressure: 1,450 - 7,250 psig

Maintenance Interval: < 8,000 hours
 Maintenance and Spare Parts: Page 27
 Extended Warranty: Page 158

CLEARPOINT® HP	A	B	C	E	Volume (gal)	Weight (lbs)
HP100S040	2.36	.65	4.61	0.98	0.01	4.41
HP100S045	3.11	.81	5.51	1.39	0.03	9.92
HP100S050	3.07	.91	8.43	1.57	0.10	8.82
HP100S055	3.07	.91	10.39	1.57	0.13	12.13
HP100S075	4.49	1.16	10.63	2.36	0.32	23.15
HP100M010	4.49	1.16	16.54	2.36	0.52	30.20
HP100M015	6.85	1.97	18.94	3.94	0.87	74.96
HP100M020	6.85	1.97	30.87	3.94	1.51	92.60
HP350S030	2.36	0.65	4.61	0.98	0.01	4.41
HP350S040	3.11	0.81	5.51	1.39	0.03	9.92
HP350S045	3.46	0.91	8.43	1.57	0.10	14.33
HP350S050	3.46	0.91	10.39	1.57	0.13	16.53
HP350S075	5.47	1.47	11.26	3.15	0.30	45.19
HP350M010	5.47	1.47	17.17	3.15	0.52	59.52
HP350M012	6.65	1.94	18.90	3.15	0.85	99.23
HP350M015	6.65	1.94	30.83	3.15	1.51	156.53
HP500S030	2.36	0.65	4.61	0.98	0.01	4.41
HP500S040	3.11	0.81	5.51	1.39	0.03	9.92
HP500S045	4.45	0.98	8.70	2.36	0.10	26.46
HP500S050	4.45	0.98	10.67	2.36	0.13	28.66

Correction Factors

Operating Pressure (1,450 psig)	300	450	600	725	900	1,100	1,200	1,300	1,450
Correction Factor	.45	.56	.64	.71	.78	.84	.90	.95	1.00

Operating Pressure (5,075 psig)	3,000	3,600	4,500	5,075
Correction Factor	.84	.89	.94	1.00

Operating Pressure (7,250 psig)	4,500	5,000	5,800	6,500	7,250
Correction Factor	.89	.93	.96	.98	1.00

The correction factors on this page provide an estimation of the performance that can be achieved with the model sizes shown. For precise sizing for your application, please contact your BEKO Technologies sales representative.

CLEARPOINT® Accessories

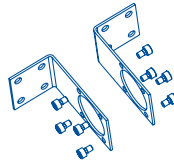
oil check indicator



	Complete Oil Check Indicator Set	Mounting Adapter for Oil Check Indicator			
Fits CLEARPOINT® Models	S055V, M010V and M018V	S040 - S055	S075-M012	M015-M023	M025-M032
Order ref.	4008728	4008713	4008725	4008726	4008749
Price (\$)	\$492	\$92	\$95	\$99	\$121
Oil Check Indicator					
Order ref.	-	4025989			
Price (\$)	-	\$427			

Price Group 84

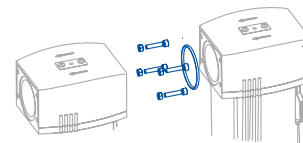
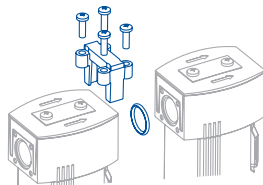
wall brackets



	FMBK4	FMBK5	FMBK6	FMBK7
Fits Filter Housing	S040 S045 S050 S055	S075 S100 M010 M012	M015 M018 M019 M020 M022 M023	M025 M027 M030 M032
Order ref.	4003328	4003329	4003330	4003331
Price (\$)	\$77	\$88	\$102	\$113

Price Group 84

modular connection kits



	F2CK4	F2CK5	F2CK6	F2CK7
Fits Filter Housing	S040 S045 S050 S055	S075 S100 M010 M012	M015 M018 M019 M020 M022 M023	M025 M027 M030 M032
Order ref.	4003332	4003333	4003334	4003335
Price (\$)	\$59	\$78	\$57	\$67

Price Group 84

CLEARPOINT® Maintenance

- replacement filter elements for standard and PN50 series threaded filters

Maintenance Interval: < 8,000 hours

Filter Housing	CX 25 µm	FX 1 µm	SX .01 µm	A* .003 ppm	Price (\$)
S040 / S045 / HP50S040	4038157 (04CX)	4038104 (04FX)	4038111 (04SX)	4002737 (04A)	\$95
S050 / HP50S050	4038158 (05CX)	4038139 (05FX)	4038148 (05SX)	4002738 (05A)	\$122
S055 / HP50S055	4038159 (06CX)	4038105 (06FX)	4038112 (06SX)	4002739 (06A)	\$145
S075 / S100 / HP50S075	4038160 (07CX)	4038106 (07FX)	4038113 (07SX)	4002740 (07A)	\$153
M010 / HP50M010	4038161 (10CX)	4038140 (10FX)	4038149 (10SX)	4002741 (10A)	\$182
M012 / HP50M012	4038162 (12CX)	4038107 (12FX)	4038114 (12SX)	4002742 (12A)	\$233
M015 / HP50M015	4038163 (15CX)	4038108 (15FX)	4038115 (15SX)	4002743 (15A)	\$253
M018 / HP50M018	4038164 (18CX)	4038141 (18FX)	4038150 (18SX)	4002744 (18A)	\$291
M019 / M020 / HP50M020	4038165 (20CX)	4038142 (20FX)	4038151 (20SX)	4002745 (20A)	\$346
M022	4038166 (22CX)	4038143 (22FX)	4038152 (22SX)	4002746 (22A)	\$383
M023	4038167 (23CX)	4038144 (23FX)	4038153 (23SX)	4002747 (23A)	\$447
M025	4038168 (25CX)	4038109 (25FX)	4038116 (25SX)	4002748 (25A)	\$485
M027	4038169 (27CX)	4038145 (27FX)	4038154 (27SX)	4002749 (27A)	\$547
M030	4038177 (30CX)	4038146 (30FX)	4038155 (30SX)	4002750 (30A)	\$813
M032	4038170 (32CX)	4038147 (32FX)	4038156 (32SX)	4002751 (32A)	\$915

* A filter grade element maintenance interval: <300 hours

Price Group 86

CLEARPOINT® V Maintenance

- filling material for activated carbon adsorption towers

Maintenance Interval: 8,000 hours

Replacement Activated Carbon (30 lbs. box)		
4mm diameter		
All models and fill weights	4056165	\$544 ea.

Price Group 63

- replacement filter cartridges for CLEARPOINT® V series

Maintenance Interval: < 1,000 hours

Filter Housing	V .003 ppm	Price (\$)
S055	4009180	\$378
M010	4009181	\$580
M018	4009182	\$855

Price Group 84

CLEARPOINT® Maintenance

■ replacement filter elements for flanged filters

Maintenance Interval: < 8,000 hours

Filter Housing	88CX 25 µm	88FX 1 µm	88SX .01 µm	88A .003 ppm	Order Quantity	Price (\$)	Flat Gasket for Top Lid	Price (\$)
L100	4038178	4038110	4038117	4021586	2	\$906	4032958	\$17
L102	4038178	4038110	4038117	4021586	3	\$1,359	4032959	\$47
L150	4038178	4038110	4038117	4021586	4	\$1,812	4032959	\$47
L156	4038178	4038110	4038117	4021586	7	\$3,170	4032960	\$69
L200	4038178	4038110	4038117	4021586	8	\$3,623	4032961	\$95
L204	4038178	4038110	4038117	4021586	10	\$4,528	4032962	\$146
L254	4038178	4038110	4038117	4021586	14	\$6,339	4032963	\$227
L304	4038178	4038110	4038117	4021586	22	\$9,961	4032964	\$358

Price Group 86 Price Group 63

■ replacement filter elements for HP series filters

Maintenance Interval: < 8,000 hours

Filter Housing	CX 25 µm	FX 1 µm	SX .01 µm	A .003 ppm	Price (\$)
HP100S040	4007820	4007822	4007823	4007824	\$333
HP100S045	4007827	4007829	4007830	4007831	\$429
HP100S050	4007835	4007839	4007841	4007843	\$538
HP100S055	4007836	4007840	4007842	4007844	\$632
HP100S075	4007849	4007853	4007855	4007857	\$707
HP100M010	4007850	4007854	4007856	4007858	\$818
HP100M015	4007863	4007867	4007869	4007871	\$900
HP100M020	4007864	4007868	4007870	4007872	\$1,221
HP350S030	4007820	4007822	4007823	4007824	\$333
HP350S040	4007827	4007829	4007830	4007831	\$429
HP350S045	4007835	4007839	4007841	4007843	\$538
HP350S050	4007836	4007840	4007842	4007844	\$632
HP350S075	4007849	4007853	4007855	4007857	\$707
HP350M010	4007850	4007854	4007856	4007858	\$818
HP350M012	4007863	4007867	4007869	4007871	\$900
HP350M015	4007864	4007868	4007870	4007872	\$1,221
HP500S030	4007820	4007822	4007823	4007824	\$333
HP500S040	4007827	4007829	4007830	4007831	\$429
HP500S045	4007835	4007839	4007841	4007843	\$538
HP500S050	4007836	4007840	4007842	4007844	\$632

Price Group 84

CLEARPOINT® Maintenance

■ replacement float drains

Maintenance Interval: < 8,000 hours

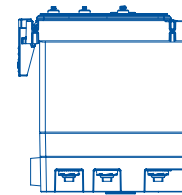
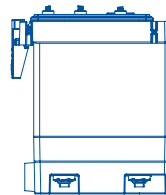


CLEARPOINT S040-M032 from Aug. 2004 / max. pressure 232 psig	
Order ref.	4025536
Price (\$)	\$103

Price Group 84

■ service unit for BEKOMAT® drains

Maintenance Interval: < 8,000 hours



Fits BEKOMAT® Model	31	32 V
	For S040-M025 filters S040-S100 water separators	For M010-M030 water separators L100-L304 filter and water separators
Order ref.	4023608	4023573
Price (\$)	\$152	\$218

Price Group 12

■ oil check indicator detector tube

Maintenance Interval: after every use

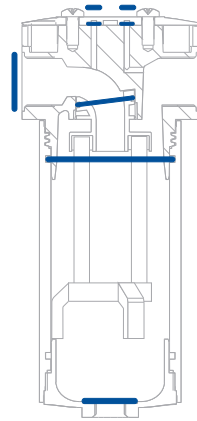


Replacement detector tube with needle valve for CLEARPOINT® V	
Order ref.	4025989
Price (\$)	\$427

Price Group 84

CLEARPOINT® Spare Parts

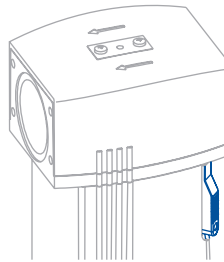
■ replacement o-ring sets for standard and PN50 series threaded units



	S040 S045 S050 S055	S075 S100 M010 M012	M015 M018 M019 M020 M022 M023	M025 M027 M030 M032
Filter Housing	and HP50 housing equivalents	and HP50 housing equivalents	and HP50 housing equivalents	and HP50 housing equivalents
Order ref.	4026562	4026563	4026564	4026565
Price (\$)	\$49	\$54	\$60	\$65

Price Group 86

■ replacement lock bar (slide) kits

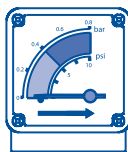


Includes the slide (red lock bar), screw, flat disc, rubber seal, and Viton o-ring

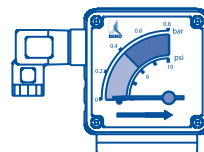
Filter Housing	S040 - M012	M015 - M032
Order ref.	4008541	4008540
Price (\$)	\$46	\$60

Price Group 86

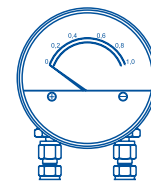
■ replacement differential pressure gauges



For direct mounting on the filter
for S040 - M032 / L100 - 304



With the potential-free contact
for S040 - M032 / L100 - 304



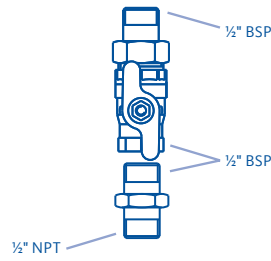
For direct mounting on HP series filters
(max. 5,075 psig)

Differential Pressure Gauges			
Max. Pressure (psig)	232	232	5,075
Order ref.	4010931	4001481	4009202
Price (\$)	\$119	\$251	\$1,804

Price Group 84

CLEARPOINT® Spare Parts

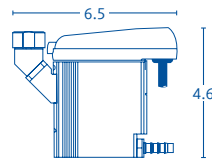
■ connection kit with ball valve



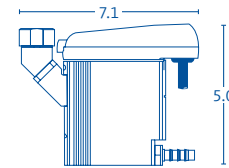
1/2" connection kit with ball valve for S040-M032 L100-L304	
Max. Pressure (psig)	232
Order ref.	2002228
Price (\$)	\$74

Price Group 84

■ replacement BEKOMAT® drains



For S040-M025 filters
S040-S100 water separators



For M027-M032 filters, M010-M030 water separators
L100-L304 filter and water separators

BEKOMAT 31		BEKOMAT 32V	
Max. Pressure (psig)	232	232	
Order ref.	4025098	4025091	
Price (\$)	\$268	\$343	

Price Group 12

Refrigerant Drying



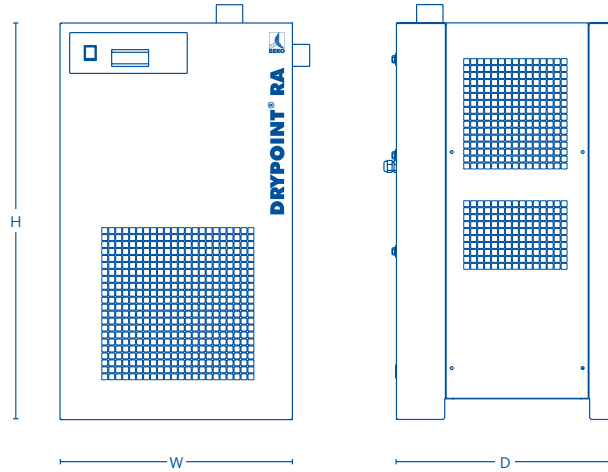
DRYPOINT® RX/RA

the most economical way to dry compressed air

- › RAc economy series, compact refrigerant air dryers
- › RAX fully equipped, premium refrigerant air dryers
- › RX third generation premium refrigerant air dryers
- › RA CT & VSD cycling and variable speed refrigerant air dryers
- › RA HT high inlet temperature refrigerant air dryers
- › RS HP high inlet pressure refrigerant air dryers, and more...

DRYPOINT® RAc Economy Refrigeration Dryers

economically priced with BEKOMAT® or with timer drain in a compact frame



DRYPOINT® RAc	RAc 10	RAc 15	RAc 20	RAc 35	RAc 50	RAc 75	RAc 100
Connection Size (NPT)	½"	½"	½"	½"	½"	1"	1¼"
Flow Rate (scfm)	10	15	20	35	50	75	100
Operating Voltage	115 V / 1 Ph	115 V / 1 Ph	115 V / 1 Ph	115 V / 1 Ph	115 V / 1 Ph	115 V / 1 Ph	115 V / 1 Ph
Power Consumption - Load (kW)	.19	.20	.21	.29	.30	.45	.70

Dimensions and Weight

H x W x D (inches)	19 x 15 x 20	19 x 15 x 20	19 x 15 x 20	19 x 15 x 20	19 x 15 x 20	29 x 14 x 17	29 x 14 x 18
Weight (lbs)	57	60	62	62	68	84	86

REFRIGERANT DRYER WITH BEKOMAT® DRAIN

ECO CHOICE

Order ref.	4050435	4050436	4050437	4050438	4050439	4050440	4050441
Price (\$)	\$1,690	\$1,781	\$1,910	\$2,040	\$2,535	\$2,871	\$3,600

REFRIGERANT DRYER WITH TIMER DRAIN

Order ref.	4050383	4050422	4050423	4050424	4050425	4050426	4050427
Price (\$)	\$1,479	\$1,582	\$1,781	\$1,894	\$2,206	\$2,517	\$3,126

Price Group 51

REQUIRED 1 µm PRE-FILTRATION

	S040	S045	S050	S055	S100
without Δpsi gauge Float Drain	4002890	4020220	4002891	4002892	4020305
Price (\$)	\$252	\$268	\$298	\$351	\$438
with Δpsi gauge BEKOMAT®	4014030	4020251	4017447	4034206	4020404
Price (\$)	\$517	\$542	\$581	\$632	\$738

Price Group 82

OPTIONAL .01 µm POST-FILTRATION

without Δpsi gauge Float Drain	4002950	4020231	4002951	4002952	4020384
Price (\$)	\$252	\$268	\$298	\$351	\$438

Price Group 82

OPTIONAL EQUIPMENT

Three-Valve Bypass*	4040646		4032965	4032966	4032967
Price (\$)	\$493		\$538	\$669	\$855

Price Group 53

*The bypass will be dry fit to unit and shipped loose to prevent damage, filtration is not included. Filters ordered with bypass are also shipped loose.

- › Required pre-filtration: 1 µm | Recommended post-filtration: .01 µm
- › UL / CSA certified
- › Outlet pressure dew point: Class 4-5 in accordance with ISO 8573-1:2010
- › Max. inlet air temperature: 130 °F
- › Min. / max. ambient temperature: 34 °F / 115 °F
- › Max. inlet pressure: RAc 10 - 50: 232 psig | RAc 75 - 480: 200 psig

Maintenance Interval: < 8,000 hours
 Maintenance and Spare Parts: Page 54
 Extended Warranty: Page 158

DRYPOINT® RAc	RAc 125	RAc 150	RAc 175	RAc 220	RAc 300	RAc 375	RAc 480
Connection Size (NPT)	1¼"	1¼"	1½"	1½"	2"	2"	2½"
Flow Rate (scfm)	125	150	175	220	300	375	480
Operating Voltage	115 V / 1 Ph	115 V / 1 Ph	230 V / 1 Ph	230 V / 1 Ph	230 V / 1 Ph	230 V / 1 Ph	230 V / 1 Ph
Power Consumption - Load (kW)	1.00	1.05	1.20	1.25	1.50	2.20	2.30
Dimensions and Weight							
H x W x D (inches)	29 x 14 x 18	32 x 19 x 18	35 x 22 x 23	35 x 22 x 23	38 x 22 x 25	38 x 22 x 25	44 x 26 x 29
Weight (lbs)	88	90	119	123	207	212	317

REFRIGERANT DRYER WITH BEKOMAT® DRAIN							ECO CHOICE
Order ref.	4050442	4050443	4050444	4050445	4050446	4050447	4050448
Price (\$)	\$3,816	\$4,134	\$4,978	\$5,320	\$7,631	\$8,359	\$10,668

REFRIGERANT DRYER WITH TIMER DRAIN							
Order ref.	4050428	4050429	4050430	4050431	4050432	4050433	4050434
Price (\$)	\$3,630	\$3,951	\$4,788	\$5,131	\$7,440	\$8,011	\$10,318

Price Group 51

REQUIRED 1 µm PRE-FILTRATION	S100	M010	M015	M020
without Δpsi gauge Float Drain	4020305	4002894	4002896	4002898
Price (\$)	\$438	\$457	\$752	\$1,040
with Δpsi gauge BEKOMAT®	4020404	4014546	4016192	4006657
Price (\$)	\$738	\$786	\$1,042	\$1,357

Price Group 82

OPTIONAL .01 µm POST-FILTRATION	S100	M010	M015	M020
without Δpsi gauge Float Drain	4020384	4002954	4002956	4002958
Price (\$)	\$438	\$457	\$752	\$1,040

Price Group 82

OPTIONAL EQUIPMENT	S100	M010	M015	M020
Three-Valve Bypass*	4032967	4032968	4032969	4032970
Price (\$)	\$855	\$1,029	\$1,561	\$3,216

Price Group 53

Correction Factors

Operating Pressure psig	60	80	100	120	140	160	180	200
Correction Factor	.79	.91	1.00	1.07	1.13	1.18	1.23	1.27

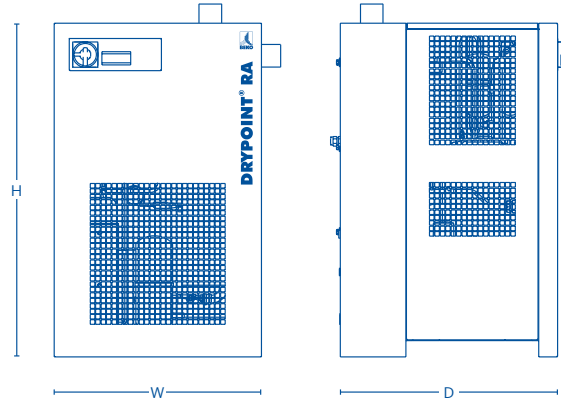
Ambient Air Temperature °F	80	90	100	110	115
Correction Factor	1.10	1.07	1.00	.83	.70

Inlet Air Temperature °F	90	100	110	120	130
Correction Factor	1.11	1.00	.80	.65	.53

The correction factors on this page provide an estimation of the performance that can be achieved with the model sizes shown. For precise sizing for your application, please contact your BEKO Technologies sales representative.

DRYPOINT® RAX Premium Refrigeration Dryers

equipped with all premium features including BEKOMAT® as standard



Limited quantities available, will be replaced by next generation DRYPOINT® RX series: Page 40

DRYPOINT® RAX	RAX 20	RAX 30	RAX 50	RAX 75	RAX 100	RAX 125
Connection Size (NPT)	½"	½"	½"	1"	1¼"	1¼"
Flow Rate (scfm)	20	30	50	75	100	125
Power Consumption - Load (kW)	.26	.27	.39	.48	.58	1.00
Dimensions and Weight						
H x W x D (inches)	29 x 14 x 17	29 x 14 x 17	29 x 14 x 17	29 x 14 x 17	32 x 19 x 18	32 x 19 x 18
Weight (lbs)	64	68	75	79	82	101

REFRIGERANT DRYER WITH STANDARD VOLTAGE

Voltage	115 V / 1 Ph	115 V / 1 Ph	115 V / 1 Ph	115 V / 1 Ph	115 V / 1 Ph	115 V / 1 Ph
Order ref.	4028689	4028691	4028693	4028695	4028697	4028699
Price (\$)	\$2,223	\$2,508	\$2,686	\$3,165	\$4,204	\$4,358

REFRIGERANT DRYER WITH OPTIONAL VOLTAGE

Voltage	230 V / 1 Ph	230 V / 1 Ph	230 V / 1 Ph	230 V / 1 Ph	230 V / 1 Ph	230 V / 1 Ph
Order ref.	4019934	4019936	4019938	4019940	4019942	4028700
Price (\$)	\$2,223	\$2,508	\$2,686	\$3,165	\$4,204	\$4,358

Price Group 51

REQUIRED 1 µm PRE-FILTRATION

	S045	S050	S100
without Δpsi gauge Float Drain	4020220	4002891	4020305
Price (\$)	\$268	\$298	\$438
with Δpsi gauge BEKOMAT®	4020251	4017447	4020404
Price (\$)	\$542	\$581	\$738

Price Group 82

OPTIONAL .01 µm POST-FILTRATION

without Δpsi gauge Float Drain	4020231	4002951	4020384
Price (\$)	\$268	\$298	\$438

Price Group 82

OPTIONAL EQUIPMENT

Anti-Corrosion Option TAC	Factory installed option - please add TAC suffix to order reference number (Example: 40xxxxx-TAC)					
Price (\$)	\$401			\$531		
Three-Valve Bypass*	4031472	4032245	4032246			
Price (\$)	\$538	\$669	\$855			

Price Group 53

*The bypass will be dry fit to unit and shipped loose to prevent damage, filtration is not included. Filters ordered with bypass are also shipped loose.

Correction Factors

Operating Pressure psig	60	80	100	120	140	160	180	200
Correction Factor	.79	.91	1.00	1.07	1.13	1.18	1.23	1.27

Ambient Air Temperature °F	80	90	100	105	110	115	120
Correction Factor	1.11	1.09	1.00	.94	.87	.78	.69

Inlet Air Temperature °F	90	100	110	120	130	140	150	160
Correction Factor	1.16	1.00	.82	.68	.61	.52	.45	.40

- › Required pre-filtration: 1 µm | Recommended post-filtration: .01 µm
- › RAx 20-200 115V UL / CSA certified
- › RAx 125-400 230V UL / CSA certified
- › RAx 200-500 460V UL / CSA control panel
- › Outlet pressure dew point: Class 4-5 in accordance with ISO 8573-1:2010
- › Max. inlet air temperature: 160 °F
- › Min. / max. ambient temperature: 34 °F / 120 °F
- › Max. inlet pressure: RAx 20-50: 232 psig | RAx 75-500: 200 psig

Maintenance Interval: < 8,000 hours
 Maintenance and Spare Parts: Page 54
 Extended Warranty: Page 158

Limited quantities available, will be replaced by next generation DRYPPOINT® RX series: Page 41							
DRYPPOINT® RAx	RAx 150	RAx 200	RAx 250	RAx 300	RAx 350	RAx 400	RAx 500
Connection Size (NPT)	1¼"	1½"	1½"	2"	2"	2½"	2½"
Flow Rate (scfm)	150	200	250	300	350	400	500
Power Consumption - Load (kW)	1.05	1.10	1.39	1.64	2.19	2.48	2.97
Dimensions and Weight							
H x W x D (inches)	32 x 19 x 18	35 x 22 x 23	35 x 22 x 23	38 x 22 x 25	38 x 22 x 25	44 x 26 x 29	44 x 26 x 29
Weight (lbs)	110	121	139	203	207	331	355

REFRIGERANT DRYER WITH STANDARD VOLTAGE

Voltage	115 V / 1 Ph	115 V / 1 Ph	230 V / 1 Ph	230 V / 1 Ph	230 V / 1 Ph	230 V / 1 Ph	460 V / 3 Ph
Order ref.	4028701	4028703	4028706	4028708	4028710	4028712	4028714
Price (\$)	\$4,754	\$5,944	\$6,894	\$8,569	\$9,347	\$11,084	\$12,944

REFRIGERANT DRYER WITH OPTIONAL VOLTAGE

Voltage	230 V / 1 Ph	230 V / 1 Ph	460 V / 3 Ph	460 V / 3 Ph	460 V / 3 Ph	460 V / 3 Ph	-
Order ref.	4028702	4028704	4028707	4028709	4028711	4028713	-
Price (\$)	\$4,754	\$5,944	\$7,885	\$9,048	\$9,559	\$11,811	-
Voltage	-	460 V / 3 Ph	-	-	-	-	-
Order ref.	-	4028705	-	-	-	-	-
Price (\$)	-	\$7,337	-	-	-	-	-

Price Group 51

REQUIRED 1 µm PRE-FILTRATION

	M010	M015	M020	M025
without Δpsi gauge Float Drain	4002894	4002896	4002898	4002901
Price (\$)	\$457	\$752	\$1,040	\$2,256
with Δpsi gauge BEKOMAT®	4014546	4016192	4006657	4014908
Price (\$)	\$786	\$1,042	\$1,357	\$2,553

Price Group 82

OPTIONAL .01 µm POST-FILTRATION

without Δpsi gauge Float Drain	4002954	4002956	4002958	4002961
Price (\$)	\$457	\$752	\$1,040	\$2,256

Price Group 82

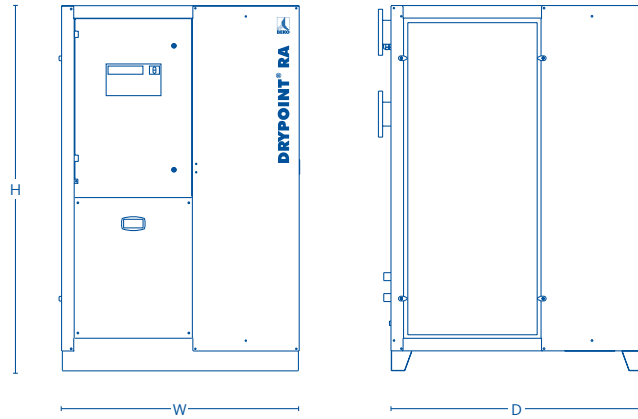
OPTIONAL EQUIPMENT

Anti-Corrosion Option TAC	Factory installed option - please add TAC suffix to order reference number (Example: 40xxxxx-TAC)			
Price (\$)	\$531	\$654	\$1,311	
Water Ingress Protection IP54	Factory installed option - please add IP54 suffix to order reference number (Example: 40xxxxx-IP54)			
Price (\$)	\$763			\$830
Three-Valve Bypass*	4032246	4031899	4032247	4032248
Price (\$)	\$855	\$1,029	\$1,561	\$3,216

Price Group 53

DRYPOINT® RAX Premium Refrigeration Dryers

equipped with all premium features including BEKOMAT® as standard



Limited quantities available, will be replaced by next generation DRYPOINT® RX series: Page 42

DRYPOINT® RAX	RAX 600	RAX 800	RAX 1000	RAX 1250	RAX 1500	RAX 1750	RAX 2000	RAX 2500
Connection Size (ANSI)	3" Flange	3" Flange	3" Flange	3" Flange	4" Flange	4" Flange	4" Flange	4" Flange
Flow Rate (scfm)	600	800	1000	1250	1500	1750	2000	2500
Power Consumption - Load (kW)	2.65	3.25	4.60	5.60	6.40	7.50	8.60	9.80
Dimensions and Weight								
H x W x D (inches)	58 x 31 x 39	58 x 31 x 39	58 x 31 x 39	58 x 31 x 39	69 x 45 x 47	69 x 45 x 47	69 x 45 x 47	69 x 45 x 47
Weight (lbs)	529	534	608	686	1,021	1,186	1,190	1,349

AIR COOLED REFRIGERANT DRYER WITH STANDARD VOLTAGE

Voltage	460 V / 3 Ph	460 V / 3 Ph	460 V / 3 Ph	460 V / 3 Ph	460 V / 3 Ph	460 V / 3 Ph	460 V / 3 Ph	460 V / 3 Ph
Order ref.	4028715	4028717	4028719	4028721	4028723	4028725	4028727	4028729
Price (\$)	\$15,863	\$17,441	\$19,921	\$25,340	\$31,203	\$34,267	\$38,403	\$44,925

Price Group 51

WATER COOLED REFRIGERANT DRYER WITH STANDARD VOLTAGE

Voltage	460 V / 3 Ph	460 V / 3 Ph	460 V / 3 Ph	460 V / 3 Ph	460 V / 3 Ph	460 V / 3 Ph	460 V / 3 Ph	460 V / 3 Ph
Order ref.	4043474	4043475	4043476	4043477	4043478	4043479	4043480	4043481
Price (\$)	\$17,488	\$17,905	\$20,384	\$25,340	\$31,203	\$34,514	\$38,403	\$44,925

Price Group 51

REQUIRED 1 µm PRE-FILTRATION

	M030	L100	L102
without Δpsi gauge Float Drain	4002903	-	-
Price (\$)	\$2,561	-	-
with Δpsi gauge BEKOMAT®	4010403	4020749	4020761
Price (\$)	\$2,903	\$6,753	\$8,409

Price Group 82

OPTIONAL .01 µm POST-FILTRATION

without Δpsi gauge Float Drain	4002963	-	-
Price (\$)	\$2,561	-	-
with Δpsi gauge BEKOMAT®	-	4020750	4020762
Price (\$)	-	\$6,753	\$8,409

Price Group 82

OPTIONAL EQUIPMENT

Anti-Corrosion Option TAC	Factory installed option - please add TAC suffix to order reference number (Example: 40xxxxx-TAC)		
Price (\$)	\$1,616	\$2,645	
Sea Water Cooled Variant SWC	Add SWC suffix to order reference number (Example: 40xxxxx-SWC)		
Price (\$)	ON REQUEST		
Water Ingress Protection IP54	Factory installed option - please add IP54 suffix to order reference number (Example: 40xxxxx-IP54)		
Price (\$)	\$863		
PC Connection Kit	4039183		
Price (\$)	\$1,146		
Three-Valve Bypass*	4032249	4039182	
Price (\$)	\$4,378	\$4,199	

Price Group 53

- › Required pre-filtration: 1 µm | Recommended post-filtration: .01 µm
- › UL / CSA certified control panel
- › MODBUS ready
- › Outlet pressure dew point: Class 4-5 in accordance with ISO 8573-1:2010
- › Max. inlet air temperature: 160 °F
- › Min. / max. ambient temperature: 34 °F / 120 °F
- › Max. inlet pressure: RAX 600-10000: 200 psig

Maintenance Interval: < 8,000 hours
 Maintenance and Spare Parts: Page 54
 Extended Warranty: Page 158

DRYPOINT® RAX	RAX 3000	RAX 4000	RAX 5000	RAX 6000	RAX 7500	RAX8000	RAX10000
Connection Size (ANSI)	6" Flange	8" Flange	8" Flange	8" Flange	8" Flange	10" Flange	10" Flange
Flow Rate (scfm)	3000	4000	5000	6000	7500	8000	10000
Power Consumption - Load (kW)	12.20	15.70	23.50	25.50	27.10	35.00	40.70
Dimensions and Weight							
H x W x D (inches)	71 x 51 x 69	74 x 55 x 87	74 x 55 x 87	96 x 61 x 85	96 x 61 x 85	96 x 61 x 107	96 x 61 x 107
Weight (lbs)	1,830	2,330	2,650	3,640	4,030	4,730	5,390

AIR COOLED REFRIGERANT DRYER WITH STANDARD VOLTAGE

Voltage	460 V / 3 Ph	460 V / 3 Ph	460 V / 3 Ph	460 V / 3 Ph	460 V / 3 Ph	460 V / 3 Ph	460 V / 3 Ph
Order ref.	4028731	4028733	4028735	4031468	4031470	4038789	4038793
Price (\$)	\$56,024	\$74,541	\$97,881	\$116,222	\$136,551	\$144,173	\$196,553

Price Group 51

WATER COOLED REFRIGERANT DRYER WITH STANDARD VOLTAGE

Voltage	460 V / 3 Ph	460 V / 3 Ph	460 V / 3 Ph	460 V / 3 Ph	460 V / 3 Ph	460 V / 3 Ph	460 V / 3 Ph
Order ref.	4043482	4043483	4043484	4043485	4043486	4043487	4043488
Price (\$)	\$56,024	\$74,541	\$97,881	\$116,222	\$136,551	\$144,173	\$196,553

Price Group 51

REQUIRED 1 µm PRE-FILTRATION

	L150	L200	L204	L254
without Δpsi gauge Float Drain	-	-	-	-
Price (\$)	-	-	-	-
with Δpsi gauge BEKOMAT®	4020864	4057036	4037501	4047774
Price (\$)	\$10,059	\$15,392	\$17,965	\$24,588

Price Group 82

OPTIONAL .01 µm POST-FILTRATION

with Δpsi gauge BEKOMAT®	4020865	4041302	4046764	4047777
Price (\$)	\$10,059	\$15,392	\$17,965	\$24,588

Price Group 82

OPTIONAL EQUIPMENT

Anti-Corrosion Option TAC	Factory installed option - please add TAC suffix to order reference number (Example: 40xxxxx-TAC)						
Price (\$)	\$3,965	\$5,288	\$7,202				
Sea Water Cooled Variant SWC	Add SWC suffix to order reference number (Example: 40xxxxx-SWC)						
Price (\$)	ON REQUEST						
Water Ingress Protection IP54	Factory installed option - please add IP54 suffix to order reference number (Example: 40xxxxx-IP54)						
Price (\$)	\$863						
PC Connection Kit	4039183						
Price (\$)	\$1,146						

Price Group 53

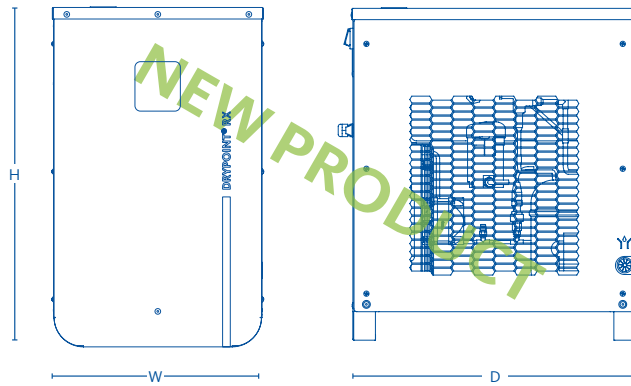
Correction Factors

Operating Pressure psig	60	80	100	120	140	160	180	200
Correction Factor	.79	.91	1.00	1.07	1.13	1.18	1.23	1.27

Ambient Air Temperature °F	80	90	100	105	110	115	120
Correction Factor	1.11	1.09	1.00	.94	.87	.78	.69

Inlet Air Temperature °F	90	100	110	120	130	140	150	160
Correction Factor	1.16	1.00	.82	.68	.61	.52	.45	.40

DRYPOINT® RX Premium Refrigeration Dryers
 equipped with all **NEW** premium features including BEKOMAT® as standard



DRYPOINT® RX	RX 10	RX 20	RX 30	RX 50	RX 60	RX 70	RX 100	RX 125
Connection Size (NPT)	½"	½"	½"	½"	1"	1"	1¼"	1¼"
Flow Rate (scfm)	10	20	30	50	60	70	100	125
Power Consumption - Load (kW)	.18	.28	.28	.36	.61	.64	.95	.95

Dimensions and Weight

H x W x D (inches)	23 x 14 x 19	23 x 14 x 19	23 x 14 x 19	23 x 14 x 19	23 x 14 x 19	27 x 17 x 24	27 x 17 x 24	27 x 17 x 24
Weight (lbs)	60	60	71	77	82	106	108	110

REFRIGERANT DRYER WITH STANDARD VOLTAGE

Voltage	115 V / 1 Ph	115 V / 1 Ph	115 V / 1 Ph	115 V / 1 Ph	115 V / 1 Ph	115 V / 1 Ph	115 V / 1 Ph	115 V / 1 Ph
Order ref.	4058653	4058654	4058655	4058656	4058657	4058658	4058659	4058660
Price (\$)	\$2,298	\$2,400	\$2,581	\$2,731	\$2,895	\$3,204	\$4,242	\$4,621

REFRIGERANT DRYER WITH OPTIONAL VOLTAGE

Voltage	-	-	-	-	-	-	-	230 V / 1 Ph
Order ref.	-	-	-	-	-	-	-	4058663
Price (\$)	-	-	-	-	-	-	-	\$4,621

Price Group 51

**REQUIRED 1 µm
PRE-FILTRATION**

	S045	S050	S055	S100
without Δpsi gauge Float Drain	4020220	4002891	4002892	4020305
Price (\$)	\$268	\$298	\$298	\$438
with Δpsi gauge BEKOMAT®	4020251	4017447	4034206	4020404
Price (\$)	\$542	\$581	\$581	\$738

Price Group 82

**OPTIONAL .01 µm
POST-FILTRATION**

without Δpsi gauge Float Drain	4020231	4002951	4020384
Price (\$)	\$268	\$298	\$438

Price Group 82

OPTIONAL EQUIPMENT

Anti-Corrosion Option TAC	Factory installed option - please add TAC suffix to order reference number (Example: 40xxxxx-TAC)		
Price (\$)	\$401		\$438
Three-Valve Bypass*	4031472	4032245	4032246
Price (\$)	\$538	\$669	\$855

Price Group 53

*The bypass will be dry fit to unit and shipped loose to prevent damage, filtration is not included. Filters ordered with bypass are also shipped loose.

- › Required pre-filtration: 1 µm | Recommended post-filtration: .01 µm
- › UL / CSA certified control panel
- › RX 10 – 200 115V UL/CSA certified
- › RX 125 – 450 230V UL/CSA certified
- › RX 250 – 550 460V UL/CSA control panel
- › **NEW** intuitive controller
- › **NEW** improved and proprietary heat exchanger
- › **NEW** externally protected micro-channel condenser
- › MODBUS ready
- › Outlet pressure dew point: Class 4-5 in accordance with ISO 8573-1:2010
- › Max. inlet air temperature: 160 °F
- › Min. / max. ambient temperature: 34 °F / 120 °F
- › Max. inlet pressure: 232 psig

Maintenance Interval: < 8,000 hours
 Maintenance and Spare Parts: Page 54
 Extended Warranty: Page 158

DRYPOINT® RX	RX 150	RX 200	RX 250	RX 300	RX 350	RX 450	RX 550
Connection Size (NPT)	1¼"	1¼"	1½"	1½"	2"	2"	2½"
Flow Rate (scfm)	150	200	250	300	350	450	550
Power Consumption - Load (kW)	0.96	0.96	1.30	1.60	1.60	2.60	3.00
Dimensions and Weight							
H x W x D (inches)	27 x 17 x 24	45 x 24 x 30	45 x 24 x 30	45 x 24 x 30	45 x 24 x 30	45 x 24 x 30	61 x 30 x 38
Weight (lbs)	110	174	179	194	220	243	414

REFRIGERANT DRYER WITH STANDARD VOLTAGE

Voltage	115 V / 1 Ph	115 V / 1 Ph	230 V / 1 Ph	230 V / 1 Ph	230 V / 1 Ph	230 V / 1 Ph	460 V / 3 Ph
Order ref.	4058661	4058662	4058666	4058667	4058668	4058669	4058674
Price (\$)	\$4,621	\$5,745	\$6,891	\$7,859	\$8,995	\$10,845	\$13,059

REFRIGERANT DRYER WITH OPTIONAL VOLTAGE

Voltage	230 V / 1 Ph	230 V / 1 Ph	460 V / 3 Ph	460 V / 3 Ph	460 V / 3 Ph	460 V / 3 Ph	-
Order ref.	4058664	4058665	4058670	4058671	4058672	4058673	-
Price (\$)	\$4,621	\$5,745	\$8,149	\$9,345	\$9,989	\$11,785	-

Price Group 51

REQUIRED 1 µm PRE-FILTRATION

	M010	M015	M020	M025	M030
without Δpsi gauge Float Drain	4002894	4002896	4002898	4002901	4002903
Price (\$)	\$457	\$752	\$1,040	\$2,256	\$2,561
with Δpsi gauge BEKOMAT®	4014546	4016192	4006657	4014908	4010403
Price (\$)	\$786	\$1,042	\$1,357	\$2,553	\$2,561

Price Group 82

OPTIONAL .01 µm POST-FILTRATION

without Δpsi gauge Float Drain	4002954	4002956	4002958	4002961
Price (\$)	\$457	\$752	\$1,040	\$2,256

Price Group 82

OPTIONAL EQUIPMENT

Anti-Corrosion Option TAC	Factory installed option - please add TAC suffix to order reference number (Example: 40xxxxx-TAC)						
Price (\$)	\$531	\$654	\$1,311				
Water Ingress Protection IP54	Factory installed option - please add IP54 suffix to order reference number (Example: 40xxxxx-IP54)						
Price (\$)	\$763						\$830
Three-Valve Bypass*	4032246	4031899	4032247	4032248			
Price (\$)	\$855	\$1,029	\$1,561	\$3,216			

Price Group 53

Correction Factors

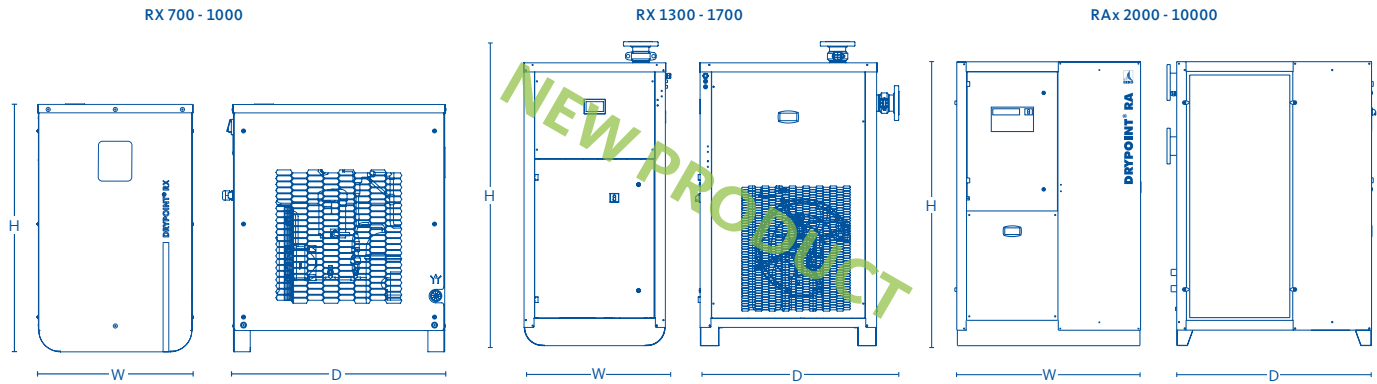
Operating Pressure psig	60	80	100	120	140	160	180	200
Correction Factor	.79	.91	1.00	1.07	1.13	1.18	1.23	1.27

Ambient Air Temperature °F	80	90	100	105	110	115	120
Correction Factor	1.11	1.09	1.00	.94	.87	.78	.69

Inlet Air Temperature °F	90	100	110	120	130	140	150	160
Correction Factor	1.16	1.00	.82	.68	.61	.52	.45	.40

The correction factors on this page provide an estimation of the performance that can be achieved with the model sizes shown. For precise sizing for your application, please contact your BEKO Technologies sales representative.

DRYPOINT® RX and RAX Premium Refrigeration Dryers
 equipped with all **NEW** premium features including **BEKOMAT®** as standard



DRYPOINT® RX	RX 700	RX 800	RX 1000	RX 1300	RX 1500	RX 1700	RAX 2000	RAX 2500
Connection Size (ANSI)	2½"	3" Flange	3" Flange	3" Flange	4" Flange	4" Flange	4" Flange	4" Flange
Flow Rate (scfm)	700	800	1000	1300	1500	1700	2000	2500
Power Consumption - Load (kW)	4.40	4.60	4.80	6.40	7.80	8.60	8.60	9.80
Dimensions and Weight								
H x W x D (inches)	61 x 30 x 38	61 x 30 x 38	61 x 30 x 38	65 x 38 x 40	65 x 38 x 40	65 x 38 x 40	69 x 45 x 47	69 x 45 x 47
Weight (lbs)	454	492	492	672	761	851	1,190	1,349

AIR COOLED REFRIGERANT DRYER WITH STANDARD VOLTAGE

Voltage	460 V / 3 Ph	460 V / 3 Ph	460 V / 3 Ph	460 V / 3 Ph	460 V / 3 Ph	460 V / 3 Ph	460 V / 3 Ph	460 V / 3 Ph
Order ref.	4058675	4058676	4058677	4058678	4058679	4058680	4028727	4028729
Price (\$)	\$15,945	\$17,139	\$19,658	\$24,958	\$30,845	\$34,005	\$38,403	\$44,925

Price Group 51

WATER COOLED REFRIGERANT DRYER WITH STANDARD VOLTAGE

Voltage	460 V / 3 Ph	460 V / 3 Ph	460 V / 3 Ph	460 V / 3 Ph	460 V / 3 Ph	460 V / 3 Ph	460 V / 3 Ph	460 V / 3 Ph
Order ref.	4058693	4058694	4058695	4058696	4058697	4058698	4043480	4043481
Price (\$)	\$19,958	\$18,945	\$21,598	\$26,100	\$32,139	\$35,549	\$38,403	\$44,925

Price Group 51

**REQUIRED 1 µm
PRE-FILTRATION**

	M030	L100	L102
without Δpsi gauge Float Drain	4002903	-	-
Price (\$)	\$2,561	-	-
with Δpsi gauge BEKOMAT®	4010403	4020749	4020761
Price (\$)	\$2,903	\$6,753	\$8,409

Price Group 82

**OPTIONAL .01 µm
POST-FILTRATION**

without Δpsi gauge Float Drain	4002963	-	-
Price (\$)	\$2,561	-	-
with Δpsi gauge BEKOMAT®	-	4020750	4020762
Price (\$)	-	\$6,753	\$8,409

Price Group 82

OPTIONAL EQUIPMENT

Anti-Corrosion Option TAC	Factory installed option - please add TAC suffix to order reference number (Example: 40xxxx-TAC)		
Price (\$)	\$1,616	\$2,645	
Sea Water Cooled Variant SWC	Add SWC suffix to order reference number (Example: 40xxxx-SWC)		
Price (\$)	ON REQUEST		
Water Ingress Protection IP54	Factory installed option - please add IP54 suffix to order reference number (Example: 40xxxx-IP54)		
Price (\$)	\$863		
PC Connection Kit	4039183		
Price (\$)	\$1,146		
Three-Valve Bypass*	4032249	4039182	
Price (\$)	\$4,378	\$4,199	

Price Group 53

*The bypass will be dry fit to unit and shipped loose to prevent damage, filtration is not included. Filters ordered with bypass are also shipped loose.

- › Required pre-filtration: 1 µm | Recommended post-filtration: .01 µm
- › UL / CSA certified control panel
- › **NEW** intuitive touchscreen controller (RX series only)
- › **NEW** improved and proprietary heat exchanger (RX series only)
- › **NEW** externally protected micro-channel condenser (RX series only)
- › MODBUS ready
- › Outlet pressure dew point: Class 4-5 in accordance with ISO 8573-1:2010
- › Max. inlet air temperature: 160 °F
- › Min. / max. ambient temperature: 34 °F / 120 °F
- › Max. inlet pressure: 232 psig

Maintenance Interval: < 8,000 hours
Maintenance and Spare Parts: Page 54
Extended Warranty: Page 158

DRYPOINT® RAx	RAx 3000	RAx 4000	RAx 5000	RAx 6000	RAx 7500	RAx8000	RAx10000
Connection Size (ANSI)	6" Flange	8" Flange	8" Flange	8" Flange	8" Flange	10" Flange	10" Flange
Flow Rate (scfm)	3000	4000	5000	6000	7500	8000	10000
Power Consumption - Load (kW)	12.20	15.70	23.50	25.50	27.10	35.00	40.70
Dimensions and Weight							
H x W x D (inches)	71 x 51 x 69	74 x 55 x 87	74 x 55 x 87	96 x 61 x 85	96 x 61 x 85	96 x 61 x 107	96 x 61 x 107
Weight (lbs)	1,830	2,330	2,650	3,640	4,030	4,730	5,390

AIR COOLED REFRIGERANT DRYER WITH STANDARD VOLTAGE

Voltage	460 V / 3 Ph	460 V / 3 Ph	460 V / 3 Ph	460 V / 3 Ph	460 V / 3 Ph	460 V / 3 Ph	460 V / 3 Ph
Order ref.	4028731	4028733	4028735	4031468	4031470	4038789	4038793
Price (\$)	\$56,024	\$74,541	\$97,881	\$116,222	\$136,551	\$144,173	\$196,553

Price Group 51

WATER COOLED REFRIGERANT DRYER WITH STANDARD VOLTAGE

Voltage	460 V / 3 Ph	460 V / 3 Ph	460 V / 3 Ph	460 V / 3 Ph	460 V / 3 Ph	460 V / 3 Ph	460 V / 3 Ph
Order ref.	4043482	4043483	4043484	4043485	4043486	4043487	4043488
Price (\$)	\$56,024	\$74,541	\$97,881	\$116,222	\$136,551	\$144,173	\$196,553

Price Group 51

**REQUIRED 1 µm
PRE-FILTRATION**

	L150	L200	L204	L254
without Δpsi gauge Float Drain	-	-	-	-
Price (\$)	-	-	-	-
with Δpsi gauge BEKOMAT®	4020864	4057036	4037501	4047774
Price (\$)	\$10,059	\$15,392	\$17,965	\$24,588

Price Group 82

**OPTIONAL .01 µm
POST-FILTRATION**

with Δpsi gauge BEKOMAT®	4020865	4041302	4046764	4047777
Price (\$)	\$10,059	\$15,392	\$17,965	\$24,588

Price Group 82

OPTIONAL EQUIPMENT

Anti-Corrosion Option TAC	Factory installed option - please add TAC suffix to order reference number (Example: 40xxxxx-TAC)			
Price (\$)	\$3,965	\$5,288	\$7,202	
Sea Water Cooled Variant SWC	Add SWC suffix to order reference number (Example: 40xxxxx-SWC)			
Price (\$)	ON REQUEST			
Water Ingress Protection IP54	Factory installed option - please add IP54 suffix to order reference number (Example: 40xxxxx-IP54)			
Price (\$)	\$863			
PC Connection Kit	4039183			
Price (\$)	\$1,146			

Price Group 53

Correction Factors

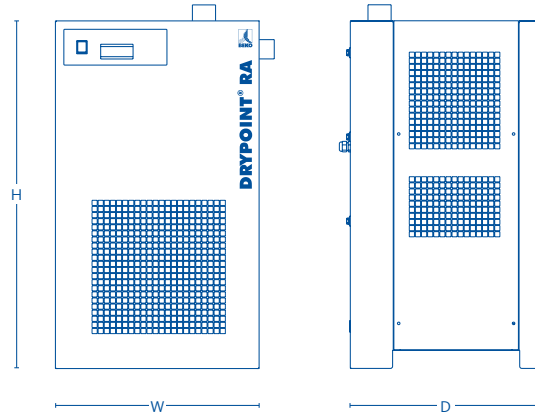
Operating Pressure psig	60	80	100	120	140	160	180	200
Correction Factor	.79	.91	1.00	1.07	1.13	1.18	1.23	1.27

Ambient Air Temperature °F	80	90	100	105	110	115	120
Correction Factor	1.11	1.09	1.00	.94	.87	.78	.69

Inlet Air Temperature °F	90	100	110	120	130	140	150	160
Correction Factor	1.16	1.00	.82	.68	.61	.52	.45	.40

DRYPOINT® RA CT Series Refrigeration Dryers

ultra efficient dryers with cycling technology and standard BEKOMAT®



DRYPOINT® RA CT	RACT 20	RACT 30	RACT 50	RACT 75	RACT 100	RACT 125	RACT 150
Connection Size (NPT)	½"	½"	½"	1"	1¼"	1¼"	1¼"
Flow Rate (scfm)	20	30	50	75	100	125	150
Power Consumption at Full Load (kW)	.26	.27	.39	.48	.58	1.00	1.05
Dimensions and Weight							
H x W x D (inches)	29 x 14 x 17	29 x 14 x 17	29 x 14 x 17	29 x 14 x 17	32 x 19 x 18	32 x 19 x 18	32 x 19 x 18
Weight (lbs)	64	68	75	79	82	101	110

REFRIGERANT DRYER WITH STANDARD VOLTAGE

Voltage	115 V / 1 Ph	115 V / 1 Ph	115 V / 1 Ph	115 V / 1 Ph	115 V / 1 Ph	115 V / 1 Ph	115 V / 1 Ph
Order ref.	4038907	4038908	4038909	4038910	4038911	4038912	4038913
Price (\$)	\$2,713	\$3,005	\$3,285	\$3,827	\$4,753	\$5,671	\$6,164

REFRIGERANT DRYER WITH OPTIONAL VOLTAGE

Voltage	-	-	-	-	-	230 V / 1 Ph	230 V / 1 Ph
Order ref.	-	-	-	-	-	4038915	4038916
Price (\$)	-	-	-	-	-	\$5,671	\$6,164

Price Group 51

REQUIRED 1 µm PRE-FILTRATION

	S045	S050	S100	M010
without Δpsi gauge Float Drain	4020220	4002891	4020305	4002894
Price (\$)	\$268	\$298	\$438	\$457
with Δpsi gauge BEKOMAT®	4020251	4017447	4020404	4014546
Price (\$)	\$542	\$581	\$738	\$786

Price Group 82

OPTIONAL .01 µm POST-FILTRATION

without Δpsi gauge Float Drain	4020231	4002951	4020384	4002954
Price (\$)	\$268	\$298	\$438	\$457

Price Group 82

OPTIONAL EQUIPMENT

Anti-Corrosion Option TAC	Factory installed option - please add TAC suffix to order reference number (Example: 40xxxxx-TAC)		
Price (\$)	\$401		\$531
Water Ingress Protection IP54	Factory installed option - please add IP54 suffix to order reference number (Example: 40xxxxx-IP54)		
115 V / 230 V Price (\$)	-		\$1,045
460 V Price (\$)	-		\$863
Three-Valve Bypass*	4031472	4032245	4032246
Price (\$)	\$538	\$669	\$855

Price Group 53

*The bypass will be dry fit to unit and shipped loose to prevent damage, filtration is not included. Filters ordered with bypass are also shipped loose.

- › Required pre-filtration: 1 µm | Recommended post-filtration: .01 µm
- › UL/CSA certified: RA CT 20-200: 115V | RA CT 250-500: 230V
- › UL/CSA certified control panel: RA CT 200-500: 460V
- › Outlet pressure dew point: Class 4-5 in accordance with ISO 8573-1:2010
- › Max. inlet air temperature: 160 °F
- › Min. / max. ambient temperature: 34 °F / 120 °F
- › Max. inlet pressure: RA CT 20-50: 232 psig | RA CT 75-500: 200 psig

Maintenance Interval: < 8,000 hours
 Maintenance and Spare Parts: Page 54
 Extended Warranty: Page 158

DRYPOINT® RA CT	RACT 200	RACT 250	RACT 300	RACT 350	RACT 400	RACT 500
Connection Size (NPT)	1½"	1½"	2"	2"	2½"	2½"
Flow Rate (scfm)	200	250	300	350	400	500
Power Consumption at Full Load (kW)	1.10	1.39	1.64	2.19	2.48	2.97
Dimensions and Weight						
H x W x D (inches)	35 x 22 x 23	35 x 22 x 23	38 x 22 x 25	38 x 22 x 25	44 x 26 x 29	44 x 26 x 29
Weight (lbs)	121	139	203	207	331	355

REFRIGERANT DRYER WITH STANDARD VOLTAGE

Voltage	115 V / 1 Ph	230 V / 1 Ph	230 V / 1 Ph	230 V / 1 Ph	230 V / 1 Ph	230 V / 1 Ph
Order ref.	4038914	4038918	4038919	4038920	4038921	4038922
Price (\$)	\$7,175	\$8,160	\$10,127	\$10,899	\$11,833	\$13,610

REFRIGERANT DRYER WITH OPTIONAL VOLTAGE

Voltage	460 V / 3 Ph	460 V / 3 Ph	460 V / 3 Ph	460 V / 3 Ph	460 V / 3 Ph	460 V / 3 Ph
Order ref.	4045287	4045288	4045289	4045290	4045291	4045292
Price (\$)	\$8,209	\$8,975	\$10,954	\$12,086	\$12,397	\$14,900

Price Group 51

**REQUIRED 1 µm
PRE-FILTRATION**

	M015	M020	M025
without Δpsi gauge Float Drain	4002896	4002898	4002901
Price (\$)	\$752	\$1,040	\$2,256
with Δpsi gauge BEKOMAT®	4016192	4006657	4014908
Price (\$)	\$1,042	\$1,357	\$2,553

Price Group 82

**OPTIONAL .01 µm
POST-FILTRATION**

without Δpsi gauge Float Drain	4002956	4002958	4002961
Price (\$)	\$752	\$1,040	\$2,256

Price Group 82

OPTIONAL EQUIPMENT

Anti-Corrosion Option TAC	Factory installed option - please add TAC suffix to order reference number (Example: 40xxxxx-TAC)					
Price (\$)	\$654	\$1,311				
Water Ingress Protection IP54	Factory installed option - please add IP54 suffix to order reference number (Example: 40xxxxx-IP54)					
115 V / 230 V Price (\$)	\$1,045					
460 V Price (\$)	\$863					
Three-Valve Bypass*	4031899	4032247	4032248			
Price (\$)	\$1,029	\$1,561	\$3,216			

Price Group 53

Correction Factors

Operating Pressure psig	60	80	100	120	140	160	180	200
Correction Factor	.79	.91	1.00	1.07	1.13	1.18	1.23	1.27

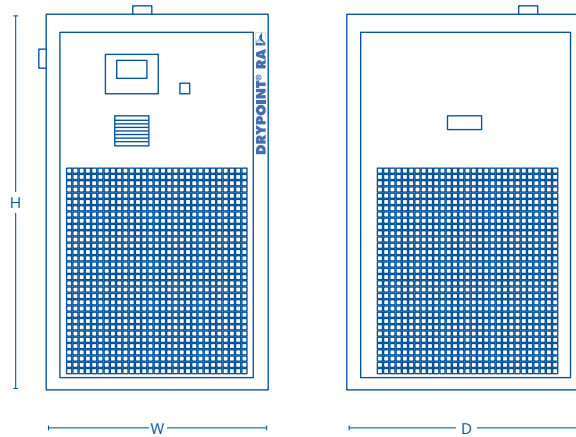
Ambient Air Temperature °F	80	90	100	105	110	115	120
Correction Factor	1.11	1.09	1.00	.94	.87	.78	.69

Inlet Air Temperature °F	90	100	110	120	130	140	150	160
Correction Factor	1.16	1.00	.82	.68	.61	.52	.45	.40

The correction factors on this page provide an estimation of the performance that can be achieved with the model sizes shown. For precise sizing for your application, please contact your BEKO Technologies sales representative.

DRYPOINT® RA VSD Series Refrigeration Dryers

ultra efficient dryers with variable speed technology and standard BEKOMAT®



DRYPOINT® RA VSD	RA VSD 800	RA VSD 1000	RA VSD 1250	RA VSD 1500	RA VSD 1750	RA VSD 2000	RA VSD 2500
Connection Size (NPT)	3" Flange	3" Flange	3" Flange	4" Flange	4" Flange	4" Flange	4" Flange
Flow Rate (scfm)	800	1000	1250	1500	1750	2000	2500
Power Consumption at Full Load (kW)	2.80	4.10	5.00	5.80	6.40	8.00	10.10

Dimensions and Weight

H x W x D (inches)	58 x 31 x 39	58 x 31 x 39	58 x 31 x 39	69 x 45 x 47	69 x 45 x 47	69 x 45 x 47	69 x 45 x 47
Weight (lbs)	534	608	686	1,021	1,202	1,202	1,349

AIR COOLED REFRIGERANT DRYER WITH STANDARD VOLTAGE

Voltage	460 V / 3 Ph	460 V / 3 Ph	460 V / 3 Ph	460 V / 3 Ph	460 V / 3 Ph	460 V / 3 Ph	460 V / 3 Ph
Order ref.	4055158	4056611	4056612	4056613	4056614	4056615	4056616
Price (\$)	\$24,589	\$26,611	\$30,884	\$37,499	\$44,809	\$45,514	\$50,429

Price Group 51

WATER COOLED REFRIGERANT DRYER WITH STANDARD VOLTAGE

Voltage	460 V / 3 Ph	460 V / 3 Ph	460 V / 3 Ph	460 V / 3 Ph	460 V / 3 Ph	460 V / 3 Ph	460 V / 3 Ph
Order ref.	4056622	4056623	4056624	4056625	4056626	4056627	4056628
Price (\$)	\$25,118	\$27,183	\$31,546	\$38,304	\$45,771	\$46,492	\$51,513

Price Group 51

REQUIRED 1 µm PRE-FILTRATION

	M030	L100	L102
without Δpsi gauge Float Drain	4002903	-	-
Price (\$)	\$2,561	-	-
with Δpsi gauge BEKOMAT®	4010403	4020749	4020761
Price (\$)	\$2,903	\$6,753	\$8,409

Price Group 82

OPTIONAL .01 µm POST-FILTRATION

without Δpsi gauge Float Drain	4002963	-	-
Price (\$)	\$2,561	-	-
with Δpsi gauge BEKOMAT®	-	4020750	4020762
Price (\$)	-	\$6,753	\$8,409

Price Group 82

- › Required pre-filtration: 1 µm | Recommended post-filtration: .01 µm
- › MODBUS ready
- › Outlet pressure dew point: Class 4-5 in accordance with ISO 8573-1:2010
- › Max. inlet air temperature: 160 °F
- › Min. / max. ambient temperature: 34 °F / 115 °F
- › Max. inlet pressure: 200 psig

Maintenance Interval: < 8,000 hours
 Maintenance and Spare Parts: Page 54
 Extended Warranty: Page 158

DRYPOINT® RA VSD	RA VSD 3000	RA VSD 3750	RA VSD 4000	RA VSD 5000	RA VSD 6000
Connection Size (NPT)	6" Flange	6" Flange	8" Flange	8" Flange	8" Flange
Flow Rate (scfm)	3000	3750	4000	5000	6000
Power Consumption at Full Load (kW)	11.20	13.80	15.40	17.10	22.30
Dimensions and Weight					
H x W x D (inches)	71 x 51 x 69	71 x 51 x 69	74 x 55 x 87	74 x 55 x 87	96 x 61 x 86
Weight (lbs)	1,850	2,090	2,350	2,670	3,660

AIR COOLED REFRIGERANT DRYER WITH STANDARD VOLTAGE

Voltage	460 V / 3 Ph	460 V / 3 Ph	460 V / 3 Ph	460 V / 3 Ph	460 V / 3 Ph
Order ref.	4056617	4056618	4056619	4056620	4056621
Price (\$)	\$69,139	\$76,607	\$88,785	\$105,709	\$128,480

Price Group 51

WATER COOLED REFRIGERANT DRYER WITH STANDARD VOLTAGE

Voltage	460 V / 3 Ph	460 V / 3 Ph	460 V / 3 Ph	460 V / 3 Ph	460 V / 3 Ph
Order ref.	4056629	4056630	4056631	4056632	4056633
Price (\$)	\$70,624	\$78,255	\$90,693	\$107,980	\$131,242

Price Group 51

REQUIRED 1 µm PRE-FILTRATION

	L150	L200
without Δpsi gauge Float Drain	-	-
Price (\$)	-	-
with Δpsi gauge BEKOMAT®	4020864	4057036
Price (\$)	\$10,059	\$15,392

Price Group 82

OPTIONAL .01 µm POST-FILTRATION

with Δpsi gauge BEKOMAT®	4020865	4041302
Price (\$)	\$10,059	\$15,392

Price Group 82

Correction Factors

Operating Pressure psig	60	80	100	120	140	160	180	200
Correction Factor	.79	.91	1.00	1.07	1.13	1.18	1.23	1.27

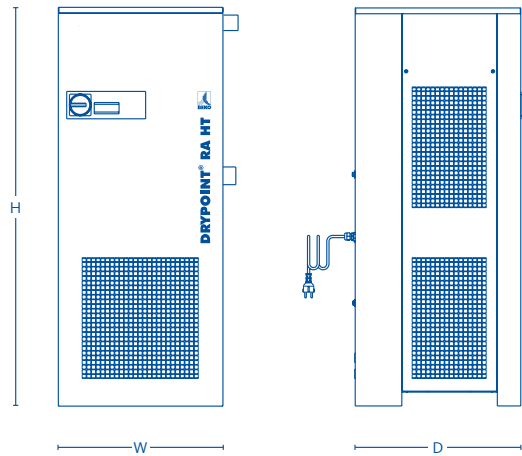
Ambient Air Temperature °F	80	90	100	105	110	115
Correction Factor	1.11	1.09	1.00	.94	.87	.78

Inlet Air Temperature °F	90	100	110	120	130	140	150	160
Correction Factor	1.16	1.00	.82	.68	.61	.52	.45	.40

The correction factors on this page provide an estimation of the performance that can be achieved with the model sizes shown. For precise sizing for your application, please contact your BEKO Technologies sales representative.

DRYPOINT® RA HT High Inlet Temperature Refrigeration Dryers

with integrated aftercooler and BEKOMAT® or timer drain



DRYPOINT® RA HT	RA HT 20	RA HT 30	RA HT 40	RA HT 50	RA HT 75
Flow Rate at 45 °F Outlet PDP (scfm)	20	30	40	50	75
Connection Size (NPT)	½"	½"	½"	½"	1"
Power Consumption - Load (kW)	.21	.28	.31	.48	.77
Operating Voltage	115 V / 1 Ph	115 V / 1 Ph	115 V / 1 Ph	115 V / 1 Ph	115 V / 1 Ph

Dimensions and Weight

H x W x D (inches)	25 x 17 x 16	25 x 17 x 16	25 x 17 x 16	25 x 17 x 16	45 x 16 x 18
Weight (lbs)	66	68	71	73	110

REFRIGERANT DRYER WITH BEKOMAT® DRAIN

ECO CHOICE

Order ref.	4050468	4050469	4050470	4050471	4050472
Price (\$)	\$3,326	\$3,721	\$4,227	\$4,544	\$5,126

REFRIGERANT DRYER WITH TIMER DRAIN

Order ref.	4050457	4050458	4050459	4050460	4050461
Price (\$)	\$3,114	\$3,248	\$3,767	\$4,314	\$4,531

Price Group 51

INCLUDED 1 µm PRE-FILTRATION

	S040	S050	S075	M010
without Δpsi gauge Built-in	4002920	4002921	4002923	4002924
Price (\$)	INCLUDED			

Price Group 82

OPTIONAL .01 µm POST-FILTRATION

	S045	S050	S100
without Δpsi gauge Float Drain	4020231	4002951	4020384
Price (\$)	\$268	\$298	\$438

Price Group 82

- › Integrated aftercooler
- › Pre-filter included
- › UL / CSA certified
- › Recommended post-filtration: .01 µm
- › Outlet pressure dew point: Class 6 in accordance with ISO 8573-1:2010
- › Max. inlet air temperature: 210 °F
- › Min. / max. ambient temperature: 34 °F / 120 °F
- › Max. inlet pressure: 200 psig

Maintenance Interval: < 8,000 hours
 Maintenance and Spare Parts: Page 54
 Extended Warranty: Page 158

DRYPOINT® RA HT	RA HT 100	RA HT 150	RA HT 200	RA HT 250	RA HT 300	RA HT 350
Flow Rate at 45 °F Outlet PDP (scfm)	100	150	200	250	300	350
Connection Size (NPT)	1¼"	1¼"	1½"	1½"	2"	2"
Power Consumption - Load (kW)	.88	1.14	1.28	1.57	2.13	2.68
Operating Voltage	115 V / 1 Ph	115 V / 1 Ph	230 V / 1 Ph	230 V / 1 Ph	230 V / 1 Ph	230 V / 1 Ph

Dimensions and Weight

H x W x D (inches)	49 x 20 x 20	49 x 20 x 20	55 x 22 x 23	55 x 22 x 23	59 x 28 x 31	59 x 28 x 31
Weight (lbs)	134	146	165	185	291	304

REFRIGERANT DRYER WITH BEKOMAT® DRAIN

ECO CHOICE

Order ref.	4050473	4050474	4050475	4050476	4050477	4050478
Price (\$)	\$6,309	\$7,245	\$9,355	\$10,271	\$13,559	\$14,861

REFRIGERANT DRYER WITH TIMER DRAIN

Order ref.	4050462	4050463	4050464	4050465	4050466	4050467
Price (\$)	\$5,932	\$6,371	\$8,597	\$9,498	\$12,621	\$14,036

Price Group 51

INCLUDED 1 µm PRE-FILTRATION

	M010	M015	M020
without Δpsi gauge Built-in	4002924	4002926	4002928
Price (\$)	INCLUDED		

Price Group 82

OPTIONAL .01 µm POST-FILTRATION

	S100	M010	M015	M020
without Δpsi gauge Float Drain	4020384	4002954	4002956	4002958
Price (\$)	\$438	\$457	\$752	\$1,040

Price Group 82

Correction Factors

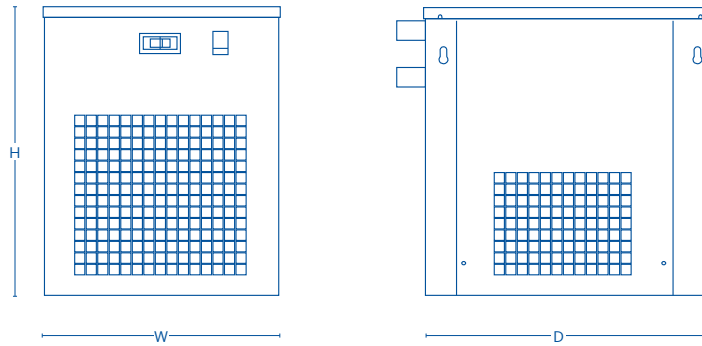
Operating Pressure psig	60	80	100	120	140	160	180	200
Correction Factor	.79	.91	1.00	1.07	1.13	1.18	1.23	1.27

Ambient Air Temperature °F	80	90	100	105	110	115	120
Correction Factor	1.22	1.11	1.00	.94	.89	.83	.78

Inlet Air Temperature °F	140	160	170	180	195	210
Correction Factor	1.26	1.13	1.07	1.00	.90	.81

DRYPOINT® RS HP High Pressure Refrigeration Dryers

stainless steel heat exchanger with BEKOMAT® or timer drain



DRYPOINT® RS HP	RS HP 15	RS HP 30	RS HP 40	RS HP 50	RS HP 80	RS HP 100	RS HP 140	RS HP 180	RS HP 260
Connection Size (NPT)	3/8"	3/8"	3/8"	3/4"	3/4"	3/4"	3/4"	1"	1"
Flow Rate (scfm)	15	30	40	50	80	100	140	180	260
Operating Voltage	115 V / 1 Ph	115 V / 1 Ph	115 V / 1 Ph	115 V / 1 Ph	115 V / 1 Ph	115 V / 1 Ph	115 V / 1 Ph	115 V / 1 Ph	230 V / 1 Ph
Power Consumption Load (kW)	.16	.22	.33	.41	.49	.86	.89	.94	1.18

Dimensions and Weight

H x W x D (inches)	19 x 15 x 20	19 x 15 x 20	19 x 15 x 20	29 x 14 x 17	29 x 14 x 17	33 x 19 x 18	33 x 19 x 18	34 x 23 x 23	34 x 23 x 23
Weight (lbs)	62	64	71	84	86	110	117	196	223

REFRIGERANT DRYER WITH BEKOMAT® DRAIN

ECO CHOICE

Order ref.	4050485	4050487	4050489	4050501	4050502	4050503	4050504	4050505	4050511
Price (\$)	\$4,339	\$4,476	\$4,754	\$6,017	\$7,047	\$7,742	\$8,327	\$9,048	\$10,245

REFRIGERANT DRYER WITH TIMER DRAIN

Order ref.	4050479	4050480	4050481	4050491	4050492	4050493	4050494	4050495	4032047
Price (\$)	\$3,055	\$3,204	\$3,512	\$4,880	\$6,000	\$6,329	\$6,818	\$7,543	\$8,287

Price Group 50

REQUIRED 1 µm PRE-FILTRATION

	HP50S040	HP50S050	HP50S075	HP50M010
without Δpsi gauge BM Kit	4020169	4029877	4037961	4032540
Price (\$)	\$716	\$808	\$1,153	\$1,252

Price Group 82

OPTIONAL .01 µm POST-FILTRATION

without Δpsi gauge BM Kit	4012594	4029878	4047810	4032539
Price (\$)	\$716	\$808	\$1,153	\$1,252

Price Group 82

OPTIONAL EQUIPMENT

BEKOMAT® 12 CO PN63	2002931
Price (\$)	\$1,300

Price Group 10

- › Required pre-filtration: 1 µm | Recommended post-filtration: .01 µm
- › Outlet pressure dew point: Class 4-5 in accordance with ISO 8573-1:2010
- › Max. inlet air temperature: 150 °F
- › Min. / max. ambient temperature: 34 °F / 120 °F
- › Max. inlet pressure: RS HP 15-550: 725 psig | RS HP 700-3500: 650 psig

Maintenance Interval: < 8,000 hours
 Maintenance and Spare Parts: Page 54
 Extended Warranty: Page 158

DRYPOINT® RS HP	Max. 650 psig										
	RS HP 350	RS HP 450	RS HP 550	RS HP 700	RS HP 900	RS HP 1300	RS HP 1400	RS HP 1700	RS HP 2300	RS HP 2900	RS HP 3500
Connection Size (NPT)	1"	1½"	1½"	2"	2"	2"	3" Flange	3" Flange	3" Flange	3" Flange	3" Flange
Flow Rate (scfm)	350	450	550	700	900	1300	1400	1700	2300	2900	3500
Operating Voltage	230 V / 1 Ph	230 V / 1 Ph	460 V / 3 Ph	460 V / 3 Ph	460 V / 3 Ph	460 V / 3 Ph	460 V / 3 Ph	460 V / 3 Ph	460 V / 3 Ph	460 V / 3 Ph	460 V / 3 Ph
Power Consumption Load (kW)	1.39	1.93	2.75	3.00	3.30	4.25	5.20	5.95	6.90	8.00	-
Dimensions and Weight											
H x W x D (inches)	34 x 23 x 23	44 x 26 x 29	44 x 26 x 29	58 x 31 x 40	58 x 31 x 40	58 x 31 x 40	64 x 45 x 48	64 x 45 x 48	64 x 45 x 48	64 x 45 x 48	-
Weight (lbs)	254	344	414	556	584	862	979	1,016	1,071	1,217	-

REFRIGERANT DRYER WITH BEKOMAT® DRAIN											ECO CHOICE
Order ref.	4050512	4050513	4050514	4014309	4014310	4014311	4014312	4014313	4032048	4032049	4032050
Price (\$)	\$12,095	\$13,202	\$17,841	\$25,629	\$28,882	\$30,154	\$41,159	\$43,634	\$49,972	\$59,769	\$65,988

REFRIGERANT DRYER WITH TIMER DRAIN											
Order ref.	4015603	4015604	4015605	-	-	-	-	-	-	-	-
Price (\$)	\$10,952	\$12,572	\$17,808	-	-	-	-	-	-	-	-

Price Group 50

REQUIRED 1 µm PRE-FILTRATION	HP50M010	HP50M020	
without Δpsi gauge BM Kit	4032540	4015401	Consult Factory
Price (\$)	\$1,252	\$2,122	ON REQUEST

Price Group 82

OPTIONAL .01 µm POST-FILTRATION			
without Δpsi gauge BM Kit	4032539	4037533	Consult Factory
Price (\$)	\$1,252	\$2,122	ON REQUEST

Price Group 82

OPTIONAL EQUIPMENT		
BEKOMAT® 12 CO PN63		2002931
Price (\$)		\$1,300

Price Group 10

Correction Factors

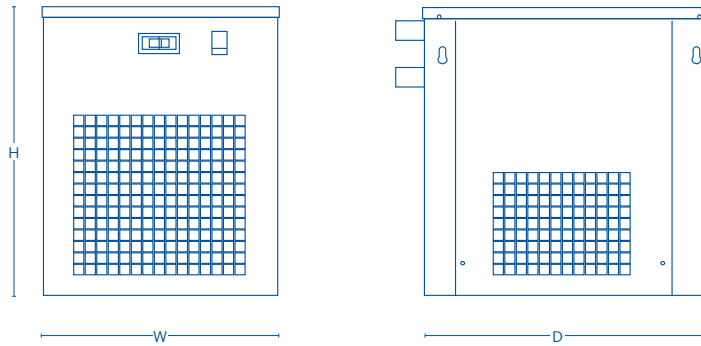
Operating Pressure psig	200	300	400	500	550	580	650	725
Correction Factor	.53	.71	.84	.94	.98	1.00	1.05	1.10

Ambient Air Temperature °F	80	90	100	105	110	115	120
Correction Factor	1.11	1.09	1.00	.94	.87	.78	.69

Inlet Air Temperature °F	90	100	110	120	130	140	150
Correction Factor	1.16	1.00	.82	.68	.61	.52	.45

The correction factors on this page provide an estimation of the performance that can be achieved with the model sizes shown. For precise sizing for your application, please contact your BEKO Technologies sales representative.

DRYPOINT® RA LC Low Cooling Chillers
 compressed air and gas chiller technology with BEKOMAT®



DRYPOINT® RA LC	RA LC 8	RA LC 22	RA LC 35	RA LC 50	RA LC 70	RA LC 90
Connection Size (NPT)	3/8"	3/8"	1/2"	3/4"	3/4"	1"
Flow Rate (scfm)	5	20	35	50	70	90
Operating Voltage	115 V / 1 Ph	115 V / 1 Ph	115 V / 1 Ph	115 V / 1 Ph	115 V / 1 Ph	115 V / 1 Ph
Power Consumption Load (kW)	.19	.39	.58	.86	.89	.94

Dimensions and Weight

H x W x D (inches)	19 x 15 x 20	19 x 15 x 20	29 x 14 x 17	33 x 20 x 18	33 x 20 x 18	35 x 23 x 23
Weight (lbs)	59	64	81	130	134	179

Order ref.	4050519	4050520	4011801	4011802	4011803	4011804
Price (\$)	\$2,929	\$3,258	\$4,677	\$5,772	\$6,773	\$7,624

Price Group 51

**REQUIRED 1 µm
 PRE-FILTRATION**

	S040	S050	S075	S100
without Δpsi gauge Float Drain	4002890	4002891	4002893	4020305
Price (\$)	\$252	\$298	\$401	\$438
with Δpsi gauge BEKOMAT®	4014030	4017447	4014031	4020404
Price (\$)	\$517	\$581	\$681	\$738

**OPTIONAL .01 µm
 POST-FILTRATION**

without Δpsi gauge Float Drain	4002950	4002951	4002953	4020384
Price (\$)	\$252	\$298	\$401	\$438

Price Group 82

- › Required pre-filtration: 1 µm | Recommended post-filtration: .01 µm
- › Outlet gas temperature: 41 °F
- › Max. inlet air temperature: 130 °F
- › Min. / max. ambient temperature: 34 °F / 120 °F
- › Max. inlet pressure: 220 psig

Maintenance Interval: < 8,000 hours
 Maintenance and Spare Parts: Page 54
 Extended Warranty: Page 158

DRYPOINT® RA LC	RA LC 140	RA LC 210	RA LC 280	RA LC 350	RA LC 420
Connection Size (NPT)	1"	1½"	2"	2"	2"
Flow Rate (scfm)	140	210	280	350	420
Operating Voltage	230 V / 1 Ph	230 V / 1 Ph	460 V / 3 Ph	460 V / 3 Ph	460 V / 3 Ph
Power Consumption Load (kW)	1.86	2.12	3.30	3.80	4.25

Dimensions and Weight

H x W x D (inches)	35 x 23 x 23	44 x 26 x 29	58 x 31 x 40	58 x 31 x 42	58 x 31 x 42
Weight (lbs)	262	280	481	518	540

Order ref.	4011805	4011806	4011807	4011808	4013099
Price (\$)	\$9,186	\$12,601	\$20,079	\$22,017	\$22,376

Price Group 51

**REQUIRED 1 µm
PRE-FILTRATION**

	M010	M015	M020
without Δpsi gauge Float Drain	4002894	4002896	4002898
Price (\$)	\$457	\$752	\$1,040
with Δpsi gauge BEKOMAT®	4014546	4016192	4006657
Price (\$)	\$786	\$1,042	\$1,357

**OPTIONAL .01 µm
POST-FILTRATION**

without Δpsi gauge Float Drain	4002954	4002956	4002958
Price (\$)	\$457	\$752	\$1,040

Price Group 82

Correction Factors

Operating Pressure psig	60	80	100	120	140	160	180	200	220
Correction Factor	.79	.91	1.00	1.07	1.13	1.18	1.23	1.27	1.30

Inlet Air Temperature °F	80	90	95	100	110	120	130
Correction Factor	1.39	1.11	1.00	.88	.68	.53	.46

Ambient Air Temperature °F	80	90	95	100	105	110	115	120
Correction Factor	1.00	.94	.90	.86	.81	.76	.70	.63

DRYPOINT® RA Maintenance

■ replacement filter elements

Maintenance Interval: < 8,000 hours

Filter Housing	Pre-Filter FX (1 µm)	Post-Filter SX (.01 µm)	Price (\$)
S040 / S045	4038104	4038111	\$95
S050	4038139	4038148	\$122
S055	4038105	4038112	\$145
S075 / S100	4038106	4038113	\$153
M010	4038140	4038149	\$182
M015	4038108	4038115	\$253
M019 / M020	4038142	4038151	\$346
M025	4038109	4038116	\$485
M030	4038146	4038155	\$813
L100	4038110 x 2	4038117 x 2	\$906
L102	4038110 x 3	4038117 x 3	\$1,359
L150	4038110 x 4	4038117 x 4	\$1,812
L200	4038110 x 8	4038117 x 8	\$3,623

Price Group 86

■ service unit for BEKOMAT® drains

Maintenance Interval: < 8,000 hours

	RAc 10 - 300	RAc 375 - 480	RAx 20 - 350	RAx 400 - 5000
BEKOMAT® Service Unit	4023608	4023573	4023608	4023573
Price (\$)	\$152	\$218	\$152	\$218

Price Group 12

■ timer drains - for UL certified dryers

Maintenance Interval: < 8,000 hours

	RAc 10 - 100 115 VAC	RAc 125 - 150 115 VAC	RAc 175-480 230 VAC
Solenoid Valve	4015497	4038211	4038211
Price (\$)	\$51	\$114	\$114
Coil	4029884	4029884	4029883
Price (\$)	\$81	\$81	\$81

Price Group 53

■ drain maintenance for RA HT dryers

Maintenance Interval: < 8,000 hours

	RA HT 20 - 100 115 VAC	RA HT 150 115 VAC	RA HT 100 230 VAC	RA HT 150 230 VAC	RA HT 200 - 350 230 VAC
Solenoid Valve	4015497	4015497	4015497	4015497	4038211
Price (\$)	\$51	\$51	\$51	\$51	\$114
Coil	4029884	4015508	4044438	4044438	4044438
Price (\$)	\$81	\$76	\$78	\$78	\$78

Price Group 53

BEKOMAT® Service Unit	4023608	4023573	4023608	4023573	4023573
Price (\$)	\$152	\$218	\$152	\$218	\$218

Price Group 12

DRYPOINT® RA Spare Parts

■ for RAc series dryers UL - 115 VAC from model year 2015 and above

DRYPOINT® RAc	RAc 10	RAc 15	RAc 20	RAc 35	RAc 50
Refrigerant Compressor	4035837			4015172	
Price (\$)	\$447			\$616	
Condenser	4015185	4015182			4015184
Price (\$)	\$81	\$116			\$224
Hot Gas By-Pass Valve	4015230				
Price (\$)	\$239				
Fan Motor	4015214				4015215
Price (\$)	\$116				\$130
Dehydration Filter	4035838		4012705		
Price (\$)	\$11		\$13		
Dryer Controller (DMC 15)	4015196				
Price (\$)	\$181				
Lighted Switch	4012682				
Price (\$)	\$22				
BEKOMAT®	4025280				
Price (\$)	\$244				
Temperature Probe	4010768				
Price (\$)	\$64				

Price Group 53

DRYPOINT® RAc	RAc 75	RAc 100	RAc125	RAc150
Refrigerant Compressor	4015173	4015160	4015154	
Price (\$)	\$804	\$849	\$1,182	
Condenser	4015184	4015186	4035839	4035840
Price (\$)	\$224	\$267	\$267	\$389
Hot Gas By-Pass Valve	4015230		4022079	
Price (\$)	\$239		\$374	
Fan Motor	4015215	4015216	4028542	
Price (\$)	\$130	\$161	\$323	
Dehydration Filter	4012705		4037241	
Price (\$)	\$13		\$58	
Dryer Controller (DMC 15)	4015196			
Price (\$)	\$181			
Lighted Switch	4012682			
Price (\$)	\$22			
BEKOMAT®	4025280			
Price (\$)	\$244			
Temperature Probe	4010768			
Price (\$)	\$64			
PV Pressure Switch	-	-	4015576	
Price (\$)	-	-	\$225	

Price Group 53

DRYPOINT® RA Spare Parts

■ for RAc series dryers UL - 115 VAC from model year 2020 and above

DRYPOINT® RAc	RAc 10	RAc 15	RAc 20	RAc 35	RAc 50
Refrigerant Compressor	4035837			4015172	
Price (\$)	\$447			\$616	
Condenser	4044382	4044383			4044384
Price (\$)	\$74	\$108			\$206
Hot Gas By-Pass Valve	4015230				
Price (\$)	\$239				
Fan Motor	4050892				4050893
Price (\$)	\$108				\$123
Dehydration Filter	4012705				
Price (\$)	\$13				
Dryer Controller (DMC 35)	4050888				
Price (\$)	\$162				
Lighted Switch	4012682				
Price (\$)	\$22				
BEKOMAT®	4025280				
Price (\$)	\$244				
Temperature Probe	4046053				
Price (\$)	\$23				

Price Group 53

DRYPOINT® RAc	RAc 75	RAc 100	RAc125	RAc150
Refrigerant Compressor	4015173	4015160	4015154	
Price (\$)	\$804	\$849	\$1,182	
Condenser	4044384	4035839	4035842	4035840
Price (\$)	\$206	\$267	\$418	\$389
Hot Gas By-Pass Valve	4015230		4022079	
Price (\$)	\$239		\$374	
Fan Motor	4050894	4050895	4050896	
Price (\$)	\$143	\$143	\$258	
Dehydration Filter	4012705		4037241	
Price (\$)	\$13		\$58	
Dryer Controller (DMC 35)	4059814		4050889	
Price (\$)	\$162		\$170	
Lighted Switch	4012682			
Price (\$)	\$22			
BEKOMAT®	4025280			
Price (\$)	\$244			
Temperature Probe	4046053			
Price (\$)	\$23			
Pressure Transducer	-	-	4046319	
Price (\$)	-	-	\$179	

Price Group 53

DRYPOINT® RA Spare Parts

■ for RAc series dryers UL - 230v from model year 2015 and above

DRYPOINT® RAc	RAc 175	RAc 220	RAc 300	RAc 375	RAc 480
Refrigerant Compressor	4015155		4015165	4015157	
Price (\$)	\$1,170		\$1,209	\$1,729	
Condenser	4035840	4035841	4013705	4015190	4022030
Price (\$)	\$389	\$540	\$721	\$1,085	\$1,223
Hot Gas By-Pass Valve	4022079				
Price (\$)	\$374				
Fan Motor	4022055	4029885	-		
Price (\$)	\$191	\$273	-		
Complete Fan	-		4027483		
Price (\$)	-		\$1,398		
Dehydration Filter	4037241	4051221			
Price (\$)	\$58	\$74			
Dryer Controller (DMC 15)	4014071				
Price (\$)	\$198				
Lighted Switch	4012682	-			
Price (\$)	\$22	-			
Main Switch	-		4025708		
Price (\$)	-		\$103		
BEKOMAT®	4025280			4025040	
Price (\$)	\$244			\$299	
Temperature Probe	4010768				
Price (\$)	\$64				
PV Pressure Switch	4015576		4012693		
Price (\$)	\$225		\$215		
Low Pressure Switch	-				4012690
Price (\$)	-				\$221
High Pressure Switch	-		4012692		
Price (\$)	-		\$385		
Thermo Safety Switch	-		4012691		
Price (\$)	-		\$104		

Price Group 53

DRYPOINT® RA Spare Parts

■ for RAc series dryers UL - 230v from model year 2020 and above

DRYPOINT® RAc	RAc 175	RAc 220	RAc 300	RAc 375	RAc 480
Refrigerant Compressor	4015155		4015165	4015157	
Price (\$)	\$1,170		\$1,209	\$1,729	
Condenser	4035840	4035841	4044440	4044441	4022030
Price (\$)	\$389	\$540	\$676	\$1,020	\$1,223
Hot Gas By-Pass Valve	4022079				
Price (\$)	\$374				
Fan Motor	4053733	4050897	-		
Price (\$)	\$202	\$255	-		
Complete Fan	-		4027483		
Price (\$)	-		\$1,398		
Dehydration Filter	4037241	4051221			
Price (\$)	\$58	\$74			
Dryer Controller (DMC 35)	4050889				
Price (\$)	\$170				
Lighted Switch	4012682	-			
Price (\$)	\$22	-			
Main Switch	-		4025708		
Price (\$)	-		\$103		
BEKOMAT®	4025280			4025040	
Price (\$)	\$244			\$299	
Temperature Probe	4046053				
Price (\$)	\$23				
Pressure Transducer	4046319				
Price (\$)	\$179				
Contactora (KC1)	-	4022080			
Price (\$)	-	\$106 ea.			
Solid State Relay (KF)	-		4050903		
Price (\$)	-		\$108		
Low Pressure Switch	-				4022105
Price (\$)	-				\$128
High Pressure Switch	-		4022102		
Price (\$)	-		\$144		
Thermo Safety Switch	-	4044432			
Price (\$)	-	\$95			

Price Group 53

DRYPOINT® RA Spare Parts

■ for RAx series dryers UL - 115v from model year 2015 and above

DRYPOINT® RAx	RAx 20	RAx 30	RAx 50	RAx 75	RAx 100
Refrigerant Compressor	4035837	4015172	4021996	4015173	4015160
Price (\$)	\$447	\$616	\$756	\$804	\$849
Condenser	4015182		4015186		4022029
Price (\$)	\$116		\$267		\$484
Hot Gas By-Pass Valve	4012694				
Price (\$)	\$372				
Fan Motor	4015215				4028542
Price (\$)	\$130				\$323
Dehydration Filter	4012705				
Price (\$)	\$13				
Dryer Controller (DMC 18)	4021469				
Price (\$)	\$286				
Lighted Switch	4012682				
Price (\$)	\$22				
BEKOMAT®	4027640				
Price (\$)	\$242				
Temperature Probe	4010768				
Price (\$)	\$64				
PV Pressure Switch	4015576				
Price (\$)	\$225				

Price Group 53

DRYPOINT® RAx	RAx 125	RAx 150	RAx 200
Refrigerant Compressor	4015154		
Price (\$)	\$1,182		
Condenser	4035842	4035840	4035841
Price (\$)	\$418	\$389	\$540
Hot Gas By-Pass Valve	4022079		
Price (\$)	\$374		
Fan Motor	4028542		
Price (\$)	\$323		
Dehydration Filter	4037241		4051221
Price (\$)	\$58		\$74
Dryer Controller (DMC 18)	4021469		
Price (\$)	\$286		
Main Switch	4025708		
Price (\$)	\$103		
BEKOMAT®	4027640		
Price (\$)	\$242		
Temperature Probe	4010768		
Price (\$)	\$64		
Thermo Safety Switch	4012691		
Price (\$)	\$104		
PV Pressure Switch	4015576		
Price (\$)	\$225		

Price Group 53

DRYPOINT® RA Spare Parts

■ for RAx series dryers UL - 230v from model year 2015 and above

DRYPOINT® RAx	RAx 125	RAx 150	RAx 200	RAx 250	RAx 300	RAx 350	RAx 400	RAx 500
Refrigerant Compressor	4015155			4015165	4015167	4015157	4022015	
Price (\$)	\$1,170			\$1,209	\$1,248	\$1,729	\$2,313	
Condenser	4035842	4035840	4035841	4035843	4013705	4015190	4035844	4022031
Price (\$)	\$418	\$389	\$540	\$581	\$721	\$1,085	\$1,224	\$1,671
Hot Gas By-Pass Valve	4022079							
Price (\$)	\$374							
Fan Motor	4022055		4029885		-			
Price (\$)	\$191		\$273		-			
Complete Fan	-		-		4027483		4029894	
Price (\$)	-		-		\$1,398		\$1,398	
Dehydration Filter	4037241			4051221				
Price (\$)	\$58			\$74				
Dryer Controller Display (DMC 18)	4021469							
Price (\$)	\$286							
Main Switch	4025708							
Price (\$)	\$103							
BEKOMAT®	4027640						4027642	
Price (\$)	\$242						\$296	
Temperature Probe	4010768							
Price (\$)	\$64							
Thermo Safety Switch	4012691							
Price (\$)	\$104							
PV Pressure Switch	4015576				4012693			
Price (\$)	\$225				\$215			
Low Pressure Switch	-				4012690			
Price (\$)	-				\$221			
High Pressure Switch	-				4012692			
Price (\$)	-				\$385			

Price Group 53

DRYPOINT® RA Spare Parts

■ for RAx series dryers CE - 460v from model year 2015 and above

DRYPOINT® RAx	RAx 200	RAx 250	RAx 300	RAx 350	RAx 400	RAx 500
Refrigerant Compressor	4021997			4021998	4015171	4015159
Price (\$)	\$2,330			\$1,841	\$2,569	\$3,825
Condenser	4035843	4013705		4015190	4035844	4022031
Price (\$)	\$581	\$721		\$1,085	\$1,224	\$1,671
Hot Gas By-Pass Valve	4012694			4022079		
Price (\$)	\$372			\$374		
Complete Fan	4027449			4025504		
Price (\$)	\$821			\$1,403		
Dehydration Filter	4051221					
Price (\$)	\$74					
Dryer Controller Display (DMC 18)	4021469					
Price (\$)	\$286					
Lighted Switch	4012682					
Price (\$)	\$22					
Main Switch	4022100					
Price (\$)	\$286					
BEKOMAT®	4027640			4027642		
Price (\$)	\$242			\$296		
Temperature Probe	4010768					
Price (\$)	\$64					
Thermo Safety Switch	4012691					
Price (\$)	\$104					
PV Pressure Switch	4015576					
Price (\$)	\$225					
Low Pressure Switch	4022106			4022105		
Price (\$)	\$136			\$128		
High Pressure Switch	4022101			4022102		
Price (\$)	\$130			\$144		
Fuse Kit	4022072					
Price (\$)	\$191					
Contactora (KC1, KV1)	4022080					
Price (\$)	\$106					
Transformer	4022164					
Price (\$)	\$215					

Price Group 53

DRYPOINT® RA Spare Parts

■ for RAx series dryers UL - 460v from model year 2019 and above

DRYPOINT® RAx	RAx 200	RAx 250	RAx 300	RAx 350	RAx 400	RAx 500
Refrigerant Compressor	4021997		4021998		4015171	4015159
Price (\$)	\$2,330		\$1,841		\$2,569	\$3,825
Condenser	4035843	4044440		4044441	4035844	4022031
Price (\$)	\$581	\$676		\$1,020	\$1,224	\$1,671
Hot Gas By-Pass Valve	4012694			4022079		
Price (\$)	\$372			\$374		
Complete Fan	4048639			4057625		
Price (\$)	\$720			\$1,379		
Dehydration Filter	4051221					
Price (\$)	\$74					
Dryer Controller Display (DMC 18)	4021469					
Price (\$)	\$286					
Lighted Switch	4012682					
Price (\$)	\$22					
Main Switch	4022100					
Price (\$)	\$286					
BEKOMAT®	4027640			4027642		
Price (\$)	\$242			\$296		
Temperature Probe	4010769					
Price (\$)	\$66					
Thermo Safety Switch	4012691					
Price (\$)	\$104					
PV Pressure Switch	4015576					
Price (\$)	\$225					
Low Pressure Switch	4022106			4022105		
Price (\$)	\$136			\$128		
High Pressure Switch	4022101			4022102		
Price (\$)	\$130			\$144		
Fuse Kit	4022072					
Price (\$)	\$191					
Contactora (KC1, KV1)	4048636					
Price (\$)	\$348					
Transformer	4022164					
Price (\$)	\$215					

Price Group 53

DRYPOINT® RA Spare Parts

■ for RAx series dryers UL - 460v from model year 2015 and above

DRYPOINT® RAx	RAx 600	RAx 800	RAx 1000	RAx 1250
Refrigerant Compressor	4029897	4029898	4029900	4027382
Price (\$)	\$3,345	\$3,418	\$3,558	\$4,064
Condenser	4015193		4015194	4015181
Price (\$)	\$1,315		\$1,570	\$2,326
Hot Gas By-Pass Valve		4022079		
Price (\$)		\$374		
Complete Fan	4026622		4025397	
Price (\$)	\$2,026		\$2,026	
Dehydration Filter		4012708		
Price (\$)		\$114		
Dryer Controller Display (DMC 24)		4022048		
Price (\$)		\$211		
Main Switch		4012684		
Price (\$)		\$360		
BEKOMAT®		4027648		
Price (\$)		\$296		
Temperature Probe		4022116		
Price (\$)		\$69		
Pressure Transducer		4022156		
Price (\$)		\$290		
Low Pressure Switch		4022105		
Price (\$)		\$128		
High Pressure Switch		4022102		
Price (\$)		\$144		
Circuit Breaker (QC1)		4035845		
Price (\$)		\$576		
Circuit Breaker (QV1)		4035850		
Price (\$)		\$571		
Aux Contact (QC1-QV1)		4035854		
Price (\$)		\$82		
Fuse Kit		4035856		
Price (\$)		\$111		
Contactors (KC1, KV0, KV1, KV2)		4035858		
Price (\$)		\$558		
Mechanical Interlock (KV)		4035861		
Price (\$)		\$49		
Relay (KHP)		4047280		
Price (\$)		\$98		
Transformer		4022165		
Price (\$)		\$319		
Reverse phase protector		4028258		
Price (\$)		\$329		

Price Group 53

DRYPOINT® RA Spare Parts

■ for RAx series dryers UL - 460v from model year 2015 and above

DRYPOINT® RAx	RAx 1500	RAx 1750	RAx 2000	RAx 2500	RAx 3000	RAx 4000	RAx 5000
Refrigerant Compressor	4025357		4029901	4022022	4022023	4022024	4022026
Price (\$)	\$3,506		\$4,804	\$8,246	\$9,079	\$9,650	\$19,349
Condenser	4015194		4015181				
Price (\$)	\$1,570		\$2,326				
Hot Gas By-Pass Valve	4013530			4012697	4012698	4022077	
Price (\$)	\$1,856			\$1,945	\$4,695	\$3,429	
Pilot Valve				-			4015987
Price (\$)				-			\$2,929
Complete Fan				4025397			
Price (\$)				\$2,026			
Dehydration Filter	4022063			4029902 and 4029903			
Price (\$)	\$195			\$518 + \$90			
Controller Display (DMC 24)				4022048			
Price (\$)				\$211			
Main Switch	4012684					4012685	
Price (\$)	\$360					\$360	
BEKOMAT®				4027648			
Price (\$)				\$296			
Temperature Probe				4022116			
Price (\$)				\$69			
Pressure Transducer				4022156			
Price (\$)				\$290			
Low Pressure Switch				4022105			
Price (\$)				\$128			
High Pressure Switch				4022102			
Price (\$)				\$144			
Circuit Breaker (QC1)	4035846				4035847	4035848	4035849
Price (\$)	\$653				\$687	\$776	\$1,593
Circuit Breaker (QV1)	4035851				4035852		4035853
Price (\$)	\$618				\$576		\$606
Aux Contact (QC1-QV1)			4035854				
Price (\$)			\$82				
Aux Contact (QC1)							4035855
Price (\$)							\$100
Aux Contact (QV1)							4035854
Price (\$)							\$82
Fuse Kit	4035856				4035857		
Price (\$)	\$111				\$86		
Contact (KC1, KV0-2)			4035858				
Price (\$)			\$558				
Contact (KC1)							4035859
Price (\$)							\$1,408
Contact (KV0-2)							4035858
Price (\$)							\$558
Mechanical Interlock (KV)			4035861				
Price (\$)			\$49				
Relay (KHP, KDR)	4047280						
Price (\$)	\$98						
Relay (KHP)					4047280		
Price (\$)					\$98		
Relay (KDR)					4047281		
Price (\$)					\$96		
Transformer	4022165				4022166		
Price (\$)	\$319				\$696		
Reverse phase protector			4028258				
Price (\$)			\$329				

DRYPOINT® RA Spare Parts

■ for RAx series dryers UL - 460v from model year 2018 and above

DRYPOINT® RAx	RAx 6000	RAx 7500	RAx 8000	RAx 10000
Refrigerant Compressor	4022026		4048792	4022026 x2
Price (\$)	\$19,349		\$17,946	\$19,349 ea.
Condenser	4044386	4044387	Consult Factory	Consult Factory
Price (\$)	\$6,633	\$9,626	ON REQUEST	ON REQUEST
Hot Gas By-Pass Valve	4022077			
Price (\$)	\$3,429			
Pilot Valve	4015987			
Price (\$)	\$2,929			
Complete Fan	4044388			4048793
Price (\$)	\$7,302			\$6,618
Dehydration Filter Housing	4029902			4048794
Price (\$)	\$518			\$819
Dehydration Filter Element	4029903			4029903 x2
Price (\$)	\$90			\$90 ea.
Controller Display (DMC 24)	4022048			
Price (\$)	\$211			
Main Switch	4012685			
Price (\$)	\$360			
BEKOMAT®	4027648			
Price (\$)	\$296			
Temperature Probe	4022116			
Price (\$)	\$69			
Pressure Transducer	4022156			
Price (\$)	\$290			
Low Pressure Switch	4022105			
Price (\$)	\$128			
High Pressure Switch	4022102			
Price (\$)	\$144			
Circuit Breaker (QC1)	4044389		4044390	-
Price (\$)	\$634		\$2,209	-
Circuit Breaker (QV1)	4035852		-	-
Price (\$)	\$576		-	-
Circuit Breaker (QV1-QV2)	-		4035851	-
Price (\$)	-		\$618	-
Aux Contact (QC1-QV1)	4035854 x2			-
Price (\$)	\$82 ea.			-
Aux Contact (QC1)	4035855			-
Price (\$)	\$100			-
Contactor (KC1)	4035859			-
Price (\$)	\$1,408			-
Contactor (KV0-KV2)	4035858			-
Price (\$)	\$558			-
Aux Contact (KC1)	4035854 and 4044393			-
Price (\$)	\$82 + \$58			-
Relay (KHP)	4047280			-
Price (\$)	\$98			-
Relay (KDR)	4047281 x2			-
Price (\$)	\$96 ea.			-
Transformer	4022166			-
Price (\$)	\$696			-
Reverse phase protector	4028258			-
Price (\$)	\$329			-

Price Group 53

DRYPOINT® RA Spare Parts

■ for RA CT series dryers UL - 115v from model year 2016 and above

DRYPOINT® RA CT	RA CT 20	RA CT 30	RA CT 50	RA CT 75	RA CT 100	RA CT 125	RA CT 150	RA CT 200
Refrigerant Compressor	4035837	4015172	4021996	4015173	4015160	4015154		
Price (\$)	\$447	\$616	\$756	\$804	\$849	\$1,182		
Condenser	4015182		4035839	4015186	4035842		4035840	4035841
Price (\$)	\$116		\$267	\$267	\$418		\$389	\$540
Hot Gas By-Pass Valve	4015230				4022079			
Price (\$)	\$239				\$374			
Fan Motor	4015215				4028542			
Price (\$)	\$130				\$323			
Dehydration Filter	4012705				4037241		4051221	
Price (\$)	\$13				\$58		\$74	
Check valve	-				4029887			
Price (\$)	-				\$96			
Liquid solenoid valve (EVL)	4015492				4015493			4015493
Price (\$)	\$121				\$195			\$195
Coil for EVL	4029890							
Price (\$)	\$73							
Hot gas solenoid valve (EVH)	4015492				4015493			4015493
Price (\$)	\$121				\$195			\$195
Coil for EVH	4029890							
Price (\$)	\$73							
Controller Display (DMC 51)	4027528							
Price (\$)	\$86							
Main Module (DMC 51)	4035740							
Price (\$)	\$211							
Display Cable (DMC 51)	4027529							
Price (\$)	\$29							
Main Switch	4012682				4025708			
Price (\$)	\$22				\$103			
BEKOMAT®	4025280							
Price (\$)	\$244							
Temperature Probe	4029886							
Price (\$)	\$73							
PV Pressure Switch	4015576							
Price (\$)	\$225							

Price Group 53

DRYPOINT® RA Spare Parts

■ for RA CT series dryers UL - 230v from model year 2016 and above

DRYPOINT® RA CT	RA CT 125	RA CT 150	RA CT 200	RA CT 250	RA CT 300	RA CT 350	RA CT 400	RA CT 500
Refrigerant Compressor	4015155			4015165	4015167	4015157	4022015	
Price (\$)	\$1,170			\$1,209	\$1,248	\$1,729	\$2,313	
Condenser	4035842	4035840	4035841	4035843	4044440	4015190	4035844	4022031
Price (\$)	\$418	\$389	\$540	\$581	\$676	\$1,085	\$1,224	\$1,671
Hot Gas By-Pass Valve	4022079							
Price (\$)	\$374							
Complete Fan	-				4027483		4029894	
Price (\$)	-				\$1,398		\$1,398	
Fan Motor	4022055		4029885		-		-	
Price (\$)	\$191		\$273		-		-	
Dehydration Filter	4037241			4051221				
Price (\$)	\$60			\$74				
Check valve	4029887				4029888		4029889	
Price (\$)	\$96				\$104		\$122	
Liquid solenoid valve (EVL)	4015492			4015493				
Price (\$)	\$121			\$195				
Coil for EVL	4029891							
Price (\$)	\$66							
Hot gas solenoid valve (EVH)	4015492			4015493				
Price (\$)	\$121			\$195				
Coil for EVH	4029891							
Price (\$)	\$66							
Controller Display (DMC 51)	4027528							
Price (\$)	\$86							
Main Module (DMC 51)	4035740							
Price (\$)	\$211							
Display Cable (DMC 51)	4027529							
Price (\$)	\$29							
Main Switch	4025708							
Price (\$)	\$103							
BEKOMAT®	4025280						4025040	
Price (\$)	\$244						\$299	
Temperature Probe	4029886			4029886 x2				
Price (\$)	\$73			\$73 ea.				
PV Pressure Switch	4015576							
Price (\$)	\$225							
Low Pressure Switch	-				4022105			
Price (\$)	-				\$128			
High Pressure Switch	-				4022102			
Price (\$)	-				\$144			

Price Group 53

DRYPOINT® RA Spare Parts

■ For RA CT series dryers CE – 460v from model year 2016 and above.

DRYPOINT® RA CT	RA CT 200	RA CT 250	RA CT 300	RA CT 350	RA CT 400	RA CT 500
Refrigerant Compressor	4021997			4021998	4015171	4015159
Price (\$)	\$2,330			\$1,841	\$2,569	\$3,825
Condenser	4035843	4044440		4015190	4035844	4022031
Price (\$)	\$581	\$676		\$1,085	\$1,224	\$1,671
Hot Gas By-Pass Valve	4012694			4022079		
Price (\$)	\$372			\$374		
Complete Fan	4027449			4025504		
Price (\$)	\$821			\$1,403		
Dehydration Filter	4051221					
Price (\$)	\$74					
Check valve	4029887	4029888		4029889		
Price (\$)	\$96	\$104		\$122		
Liquid solenoid valve (EVL)	4015493					
Price (\$)	\$195					
Coil for EVL	4029891					
Price (\$)	\$66					
Hot gas solenoid valve (EVH)	4015493					
Price (\$)	\$195					
Coil for EVH	4029891					
Price (\$)	\$66					
Controller Display (DMC 51)	4027528					
Price (\$)	\$86					
Main Module (DMC 51)	4035741			4035740		
Price (\$)	\$237			\$211		
Display Cable (DMC 51)	4044410					
Price (\$)	\$24					
Main Switch	4022100					
Price (\$)	\$286					
Lighted Switch	4012682					
Price (\$)	\$22					
BEKOMAT®	4025280			4025040		
Price (\$)	\$244			\$299		
Temperature Probe	4029886					
Price (\$)	\$73					
PV Pressure Switch	4015576					
Price (\$)	\$225					
Low Pressure Switch	4022106			4022105		
Price (\$)	\$136			\$128		
High Pressure Switch	4022101			4022102		
Price (\$)	\$130			\$144		
Fuse Kit	4022072					
Price (\$)	\$191					
Contactora (KC1)	4022080					
Price (\$)	\$106 ea.					
Transformer	4022164					
Price (\$)	\$215					

Price Group 53

DRYPOINT® RA Spare Parts

■ For RA CT series dryers UL – 460v from model year 2020 and above.

DRYPOINT® RA CT	RA CT 200	RA CT 250	RA CT 300	RA CT 350	RA CT 400	RA CT 500
Refrigerant Compressor	4021997			4021998	4015171	4015159
Price (\$)	\$2,330			\$1,841	\$2,569	\$3,825
Condenser	4035843	4044440		4015190	4035844	4022031
Price (\$)	\$581	\$676		\$1,085	\$1,224	\$1,671
Hot Gas By-Pass Valve	4012694			4022079		
Price (\$)	\$372			\$374		
Complete Fan	4048639			4057625		
Price (\$)	\$720			\$1,379		
Dehydration Filter	4051221					
Price (\$)	\$73					
Liquid solenoid valve (EVL)	4015493					
Price (\$)	\$195					
Coil for EVL	4044409		4029891			
Price (\$)	\$57		\$66			
Hot gas solenoid valve (EVH)	4015493					
Price (\$)	\$195					
Coil for EVH	4029891	-	-	-	-	-
Price (\$)	\$66	-	-	-	-	-
Controller Display (DMC 51)	4027528					
Price (\$)	\$86					
Main Module (DMC 51)	4035741			4035740		
Price (\$)	\$237			\$211		
Display Cable (DMC 51)	4044410					
Price (\$)	\$24					
Main Switch	4053902					
Price (\$)	\$638					
Lighted Switch	4012682					
Price (\$)	\$22					
BEKOMAT®	4025280			4025040		
Price (\$)	\$244			\$299		
Temperature Probe	4029886					
Price (\$)	\$73					
PV Pressure Switch	4015576					
Price (\$)	\$225					
Low Pressure Switch	4022106			4022105		
Price (\$)	\$136			\$128		
High Pressure Switch	4022101			4022102		
Price (\$)	\$130			\$144		
Contactor (KC1)	4048636					
Price (\$)	\$348					
Transformer	4022164					
Price (\$)	\$215					

Price Group 53

DRYPOINT® RA Spare Parts

■ for RA VSD series dryers CE - 460v from model year 2016 and above

DRYPOINT® RA VSD ECO	RA VSD 800	RA VSD 1000	RA VSD 1250	RA VSD 1500	RA VSD 1750	RA VSD 2000
VSD Compressor	4037447					4037448
Price (\$)	\$3,036					\$3,448
Compressor Inverter	4037460					4037461
Price (\$)	\$322					\$642
Condenser	4015193	4015194	4015181	4015194 x2		4015181 x2
Price (\$)	\$1,315	\$1,570	\$2,326	\$1,570 ea.		\$2,326 ea.
Complete Fan	4026622	4025397		4025397 x2		
Price (\$)	\$2,026	\$2,026		\$2,026 ea.		
Electrical Panel Fan	4037466					
Price (\$)	\$578					
Condenser Fan Inverter	4037462	4037463		4037464		
Price (\$)	\$1,386	\$1,386		\$2,087		
Dehydration Filter	4029903					
Price (\$)	\$90					
Dryer Controller Display (DMC 50/55)	Consult Factory - Dryer serial number required					
Price (\$)	ON REQUEST					
Main Switch	4012684					
Price (\$)	\$360					
BEKOMAT®	4027648		4027648 x2			
Price (\$)	\$296		\$296 ea.			
Electronic Expansion Valve (EEVN)	4044421		4044421 x2			
Price (\$)	\$141		\$141 ea.			
EEV Controller	4044411	4060853		4060853 x2		
Price (\$)	\$322	\$979		\$979 ea.		
Coil for EEVN	4044422		4044422 x2			
Price (\$)	\$170		\$170 ea.			
Electrical Panel Filter	4044427		4044428			
Price (\$)	\$322		\$188			
Pressure Balancing Solenoid Valve	4015492		4015493			
Price (\$)	\$121		\$195			
Coil for PBSV	4015511					
Price (\$)	\$642					
Temperature Probe	4029886 x4					
Price (\$)	\$73 ea.					
Pressure Transducer	4037453	4044423				
Price (\$)	\$290	\$290				
EEV Temperature Probe	4044429		4044429 x2			
Price (\$)	\$93		\$93 ea.			
EEV Pressure Transducer	4044430		4044430 x2			
Price (\$)	\$328		\$328 ea.			
Low Pressure Switch	4022106	4022105				
Price (\$)	\$136	\$128				
High Pressure Switch	4022101	4022102				
Price (\$)	\$130	\$144				
Transformer	4044417					
Price (\$)	\$558					
Relay (KEN)	4015978					
Price (\$)	\$98					
Relay (KDR)	-		4015978			
Price (\$)	-		\$98			
Relay (KDan)	4044403		4044403 x2			
Price (\$)	\$98		\$98 ea.			

Price Group 53

DRYPOINT® RA Spare Parts

■ for RA VSD series dryers CE - 460v from model year 2016 and above

DRYPOINT® RA VSD ECO	RA VSD 2500	RA VSD 3000	RA VSD 3750	RA VSD 4000	RA VSD 5000	RA VSD 6000
VSD Compressor	4037448					
Price (\$)	\$3,448					
Fixed Speed Compressor	-	4029900	4027382		4027382 x2	4025357 x2
Price (\$)	-	\$3,558	\$4,064		\$4,064 ea.	\$3,506 ea.
Compressor Inverter	4037461					
Price (\$)	\$642					
Condenser	4015181 x2	4015181 x3		4015181 x4		4044386
Price (\$)	\$2,326 ea.	\$2,326 ea.		\$2,326 ea.		\$6,633
Complete Fan	4025397 x2	4025397 x3		4025397 x4		4041416 x2
Price (\$)	\$2,026 ea.	\$2,026 ea.		\$2,026 ea.		\$4,049 ea.
Electrical Panel Fan	4037466					
Price (\$)	\$578					
Condenser Fan Inverter	4037464	4044398		4044399		-
Price (\$)	\$2,087	\$3,216		\$3,663		-
Dehydration Filter	4029903					
Price (\$)	\$90					
Dryer Controller Display (DMC 50/55)	Consult Factory - Dryer serial number required					
Price (\$)	ON REQUEST					
Main Switch	4012684	4012685				
Price (\$)	\$360	\$360				
BEKOMAT®	4027648 x2	4027648 x3		4027648 x4		4027648 x6
Price (\$)	\$296 ea.	\$296 ea.		\$296 ea.		\$296 ea.
Electronic Expansion Valve (EEVN)	4044421 x2	4044421 x3		4044421 x4		4044421 x6
Price (\$)	\$141 ea.	\$141 ea.		\$141 ea.		\$141 ea.
EEV Controller	4060853 x2	4060853 x3		4060853 x4		4060853 x6
Price (\$)	\$979 ea.	\$979 ea.		\$979 ea.		\$979 ea.
Coil for EEVN	4044422 x 2	4044422 x3		4044422 x4		4044422 x6
Price (\$)	\$170 ea.	\$170 ea.		\$170 ea.		\$170 ea.
Electrical Panel Filter	4044428					
Price (\$)	\$188					
Pressure Balancing Solenoid Valve	4015493	4044397				
Price (\$)	\$195	\$322				
Coil for PBSV	4015511					
Price (\$)	\$642					
Temperature Probe	4029886 x4					
Price (\$)	\$73 ea.					
Pressure Transducer	4044423					
Price (\$)	\$290					
EEV Temperature Probe	4044429 x2	4044429 x3		4044429 x4		4044429 x6
Price (\$)	\$93 ea.	\$93 ea.		\$93 ea.		\$93 ea.
EEV Pressure Transducer	4044430 x2	4044430 x3		4044430 x4		4044430 x6
Price (\$)	\$328 ea.	\$328 ea.		\$328 ea.		\$328 ea.
Low Pressure Switch	4022105					
Price (\$)	\$128					
High Pressure Switch	4022102					
Price (\$)	\$144					
Transformer	4044417	4044418			4044419	
Price (\$)	\$558	\$653			\$942	
Relay (KEN)	4015978					
Price (\$)	\$98					
Relay (KDR)	-			4015978		
Price (\$)	-			\$98		
Relay (KdAn)	4044403			4044403 x2		
Price (\$)	\$98			\$98 ea.		
Reverse phase protector	4028258					
Price (\$)	\$329					



Desiccant Drying

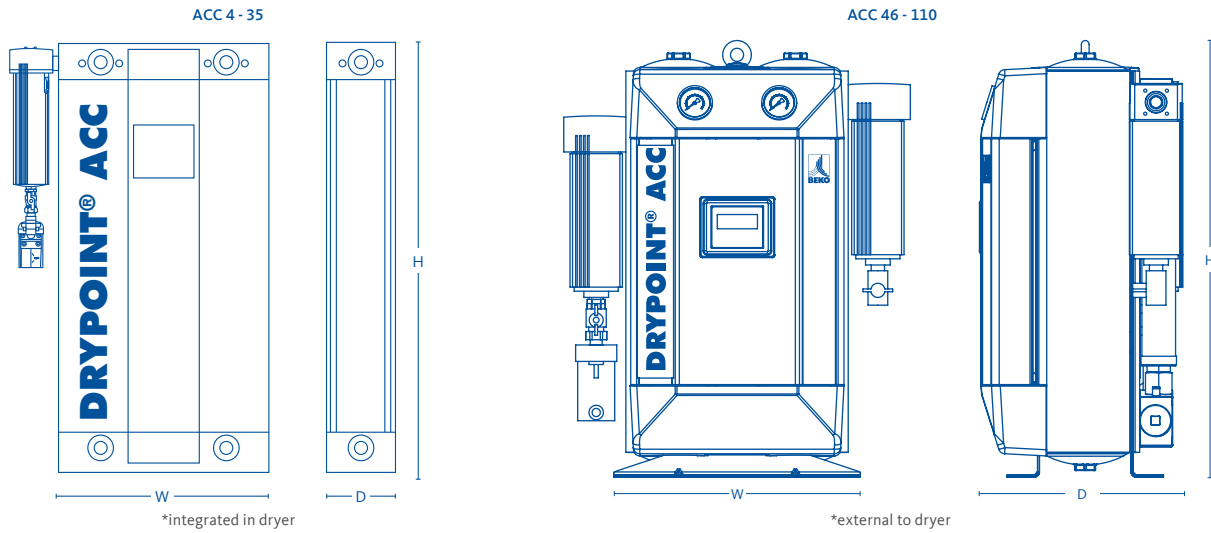
DRYPOINT® X

efficient low dew point desiccant drying

- › ACC compact heatless desiccant air dryers
- › XCe economy heatless desiccant air dryers
- › XCp premium heatless desiccant air dryers
- › XHe economy heated purge desiccant dryers
- › XHi premium heated purge desiccant dryers
- › XFe economy heated blower desiccant air dryers
- › XFi ecoIntelligent heated blower desiccant air dryers
- › AC HP heatless high pressure desiccant air dryers

DRYPOINT® ACC Compact Heatless Desiccant Dryers

with pre-filtration and post-filtration* included



DRYPOINT® ACC	ACC 4	ACC 6	ACC 8	ACC 10	ACC 15	ACC 25	ACC 35
Flow Rate at -40 °F (scfm)	4	6	8	10	15	25	35
Flow Rate at -100 °F (scfm)	3	4	6	7	11	18	25
Connection Size (NPT)	3/8"	3/8"	3/8"	3/8"	3/8"	3/8"	3/8"
Dimensions and Weight							
H x W x D (inches)	18 x 11 x 4	20 x 11 x 4	22 x 11 x 4	25 x 11 x 4	32 x 11 x 4	42 x 11 x 4	58 x 11 x 4
Weight (lbs)	29	31	33	36	43	53	68

HEATLESS DESICCANT DRYER WITH FLOAT DRAIN

Order ref. (-40 °F or -100 °F)	4022746	4022748	4012623	4012625	4012626	4012627	4012628
Price (\$)	\$2,273	\$2,410	\$2,618	\$2,823	\$3,168	\$4,336	\$5,466

HEATLESS DESICCANT DRYER WITH BEKOMAT®

Order ref. (-40 °F or -100 °F)	4022749	4022750	4012639	4012640	4012641	4012642	4012643
Price (\$)	\$2,480	\$2,618	\$2,823	\$3,030	\$3,374	\$4,543	\$5,671

ECO CHOICE

Price Group 62

OPTIONAL EQUIPMENT

Wall Mounting Bracket	4008702
Price (\$)	\$289
Floor Mounting Bracket	4009870
Price (\$)	\$289

Price Group 69

- › Standard outlet pressure dew point: -40 °F
- › Optional outlet pressure dew point: -100 °F
- › Standard intelligent power supply: 12 - 24VDC/ 100 - 240 VAC; 50/60 Hz
- › Min. / max. air inlet temperature: 35 °F / 120 °F
- › Min. / max. ambient temperature: 41 °F / 120 °F
- › Min. / max. operating pressure: 58 / 232 psig (ACC 4-35), 189 psig (ACC 46-110)

Maintenance Interval: < 8,000 hours
 Maintenance and Spare Parts: Page 96
 Extended Warranty: Page 158

DRYPOINT® ACC	ACC 46	ACC 56	ACC 75	ACC 90	ACC 110
Flow Rate at -40 °F (scfm)	45	55	75	90	110
Flow Rate at -100 °F (scfm)	34	42	57	69	84
Connection Size (NPT)	1"	1"	1"	1"	1"
Dimensions and Weight					
H x W x D (inches)	26 x 15 x 12	29 x 15 x 12	37 x 15 x 12	41 x 15 x 12	50 x 15 x 12
Weight (lbs)	106	117	142	160	192

HEATLESS DESICCANT DRYER WITH FLOAT DRAIN

Order ref. (-40 °F)	4050733	4050734	4050735	4050736	4050737
Price (\$)	\$5,929	\$6,395	\$6,688	\$7,302	\$10,044
Order ref. (-100 °F)	4054019	4054020	4054021	4054022	4054023
Price (\$)	\$6,216	\$6,658	\$6,806	\$7,552	\$10,275

HEATLESS DESICCANT DRYER WITH BEKOMAT®

					ECO CHOICE
Order ref. (-40 °F)	4050738	4050739	4050740	4050741	4050742
Price (\$)	\$6,108	\$6,574	\$6,867	\$7,481	\$10,223
Order ref. (-100 °F)	4054024	4054025	4054026	4054027	4054028
Price (\$)	\$6,414	\$6,858	\$7,006	\$7,751	\$10,475

Price Group 69

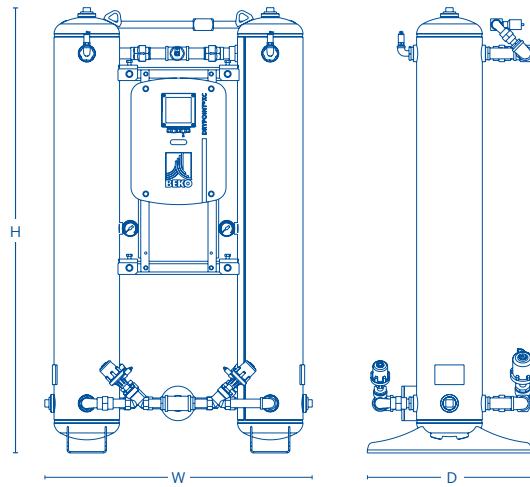
Correction Factors

Operating Pressure (psig)	60	70	80	90	100	110	120	130	140	150
Correction Factor	.64	.73	.81	.90	1.00	1.08	1.16	1.25	1.33	1.41
Inlet Air Temperature °F	80	85	90	95	100	105	110	115	120	
Correction Factor	1.17	1.11	1.06	1.00	.86	.74	.68	.61	.49	

The correction factors on this page provide an estimation of the performance that can be achieved with the model sizes shown. For precise sizing for your application, please contact your BEKO Technologies sales representative.

DRYPOINT® XCe Economy Heatless Desiccant Dryers

with basic controller and slanted seat valves



DRYPOINT® XCe	XCe 80	XCe100	XCe 120	XCe 160	XCe 200	XCe 250
Connection Size (NPT)	¾"	1"	1"	1¼"	1¼"	1½"
Flow Rate (scfm)	80	100	120	160	200	250
Dimensions and Weight						
H x W x D (inches)	54 x 37 x 22	64 x 38 x 23	64 x 38 x 23	68 x 40 x 26	68 x 40 x 26	69 x 45 x 30
Empty Weight (lbs)	232	295	296	320	320	413
Total Fill (lbs)	132	167	167	262	262	384

HEATLESS DESICCANT DRYER WITHOUT FILTERS (FILTRATION REQUIRED)

Order ref.	4026930	4026931	4026932	4026933	4026934	4026935
Price (\$)	\$8,133	\$8,532	\$8,829	\$9,514	\$10,564	\$11,210

HEATLESS DESICCANT DRYER WITH MOUNTED FILTERS

Order ref.	4027010	4027011	4027012	4027013	4027014	4027015
Price (\$)	\$9,429	\$9,901	\$10,501	\$11,433	\$12,584	\$13,951

HEATLESS DESICCANT DRYER WITH MOUNTED FILTERS AND 3-VALVE BYPASS

Order ref.	4032017	4032018	4032019	4032020	4032021	4032022
Price (\$)	\$9,782	\$10,324	\$11,157	\$12,173	\$13,396	\$14,363

Price Group 60

REQUIRED FILTERS, NOT MOUNTED

	S075	S100	M010	M012	M015
Pre-Filter .01 µm	4003404	4020388	4003524	4007053	4003405
Price (\$)	\$471	\$527	\$559	\$632	\$823
Post-Filter 1 µm	4021029	4021030	4021031	4024402	4021032
Price (\$)	\$401	\$438	\$457	\$529	\$752

Price Group 82

OPTIONAL EQUIPMENT

Drain Upgrade to BEKOMAT®	4047670
Price (\$)	\$419
Stainless Steel Tubing	4048882
Price (\$)	\$2,000

Price Group 12

- › Standard outlet pressure dew point: -40 °F
- › Electrical power supply: 120 VAC | 50 - 60Hz
- › Required pre-filtration grade SX: .01 µm | Required post-filtration grade FX: 1 µm
- › cULus listed controller with NEMA 4 indoor rating
- › ASME / CRN coded vessels
- › Min. / max. inlet air temperature: 40 °F / 120 °F
- › Min. / max. operating pressure: 60 / 150 psig

Maintenance Interval: < 8,000 hours
 Maintenance and Spare Parts: Page 96
 Extended Warranty: Page 158

DRYPOINT® XCe	XCe 300	XCe 400	XCe 500	XCe 650	XCe 800
Connection Size (NPT)	1½"	2"	2"	2½"	2½"
Flow Rate (scfm)	300	400	500	650	800
Dimensions and Weight					
H x W x D (inches)	69 x 45 x 30	71 x 49 x 35	73 x 53 x 36	74 x 57 x 40	71 x 61 x 43
Empty Weight (lbs)	412	594	717	871	925
Total Fill (lbs)	384	539	715	917	1,114

HEATLESS DESICCANT DRYER WITHOUT FILTERS (FILTRATION REQUIRED)

Order ref.	4026936	4026937	4026938	4026939	4026940
Price (\$)	\$12,496	\$14,429	\$16,223	\$19,301	\$23,401

HEATLESS DESICCANT DRYER WITH MOUNTED FILTERS

Order ref.	4027016	4027017	4027018	4027019	4027020
Price (\$)	\$15,465	\$17,623	\$20,343	\$25,092	\$29,473

HEATLESS DESICCANT DRYER WITH MOUNTED FILTERS AND 3-VALVE BYPASS

Order ref.	4032023	4032024	4032025	4032026	4032027
Price (\$)	\$15,875	\$18,188	\$21,267	\$26,789	\$31,255

Price Group 60

**REQUIRED FILTERS,
NOT MOUNTED**

	M018	M020	M025
Pre-Filter .01 µm	4014542	4003406	4021904
Price (\$)	\$895	\$1,052	\$2,332
Post-Filter 1 µm	4021033	4007876	4021036
Price (\$)	\$833	\$1,040	\$2,256

Price Group 82

OPTIONAL EQUIPMENT

Drain Upgrade to BEKOMAT®	4047670
Price (\$)	\$419
Stainless Steel Tubing	4048882
Price (\$)	\$2,000

Price Group 12

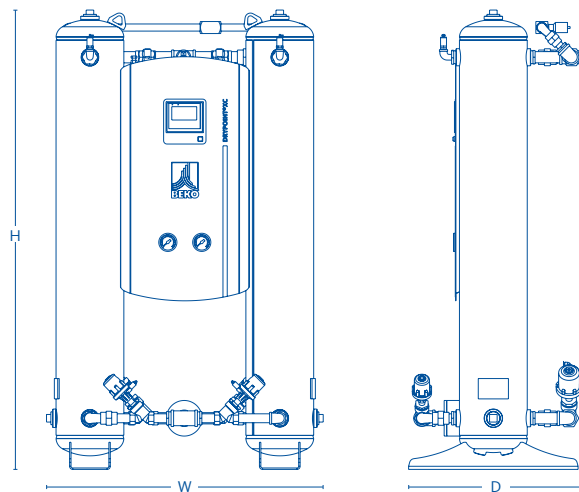
Correction Factors

Operating Pressure (psig)	60	70	80	90	100	110	120	130	140	150	Inlet Air Temperature °F	90	95	100	105	110	115	120
Correction Factor	0.65	0.74	0.82	0.91	1.00	1.09	1.17	1.22	1.25	1.30	Correction Factor	1.07	1.04	1.00	0.92	0.84	0.77	0.70

The correction factors on this page provide an estimation of the performance that can be achieved with the model sizes shown. For precise sizing for your application, please contact your BEKO Technologies sales representative.

DRYPOINT® XCp Premium Heatless Desiccant Dryers

with standard humidity demand control and BEKOTOUCH interface



DRYPOINT® XCp	XCp 80	XCp 100	XCp 120	XCp 160	XCp 200	XCp 250	XCp 300	XCp 400	XCp 500
Connection Size (NPT)	¾"	1"	1"	1¼"	1¼"	1½"	1½"	2"	2"
Flow Rate (scfm)	80	100	120	160	200	250	300	400	500
Dimensions and Weight									
H x W x D (inches)	54 x 37 x 22	64 x 38 x 23	64 x 38 x 23	68 x 40 x 26	68 x 40 x 26	69 x 45 x 30	69 x 45 x 30	71 x 49 x 35	73 x 53 x 36
Empty Weight (lbs)	251	314	315	339	339	433	432	613	736
Total Fill (lbs)	132	167	167	262	262	384	384	539	715

HEATLESS DESICCANT DRYER WITHOUT FILTERS (FILTRATION REQUIRED)

Order ref.	4026941	4026942	4026943	4026944	4026945	4026946	4026947	4026948	4026949
Price (\$)	\$12,082	\$12,607	\$12,979	\$13,794	\$15,119	\$16,374	\$17,724	\$19,683	\$22,290

HEATLESS DESICCANT DRYER WITH MOUNTED FILTERS

Order ref.	4027494	4027495	4027496	4027497	4027498	4027499	4027500	4027501	4027502
Price (\$)	\$13,500	\$14,118	\$14,648	\$15,712	\$17,140	\$19,113	\$20,692	\$22,879	\$26,411

HEATLESS DESICCANT DRYER WITH MOUNTED FILTERS AND 3-VALVE BYPASS

Order ref.	4029343	4029524	4032028	4032029	4029557	4032030	4032031	4032032	4030934
Price (\$)	\$13,759	\$14,488	\$15,304	\$16,451	\$17,950	\$19,935	\$21,515	\$24,008	\$27,334

Price Group 60

REQUIRED FILTERS, NOT MOUNTED

	S075	S100	M010	M012	M015	M018	M020
Pre-Filter .01 µm	4003404	4020388	4003524	4007053	4003405	4014542	4003406
Price (\$)	\$471	\$527	\$559	\$632	\$823	\$895	\$1,052
Post-Filter 1 µm	4021029	4021030	4021031	4024402	4021032	4021033	4007876
Price (\$)	\$401	\$438	\$457	\$529	\$752	\$833	\$1,040

Price Group 82

Correction Factors

Operating Pressure (psig)	60	70	80	90	100	110	120	130	140	150	Inlet Air Temperature °F	90	95	100	105	110	115	120
Correction Factor	0.65	0.74	0.82	0.91	1.00	1.09	1.17	1.22	1.25	1.30	Correction Factor	1.07	1.04	1.00	0.92	0.84	0.77	0.70

The correction factors above provide an estimation of the performance that can be achieved with the model sizes shown. For precise sizing for your application, please contact your BEKO Technologies sales representative.

Flow Rate at -40 °F PDP (scfm)	80	100	120	160	200	250	300	400	500
Correction Factor for -100 °F PDP	0.8								

- › Standard outlet pressure dew point: -40 °F
- › Optional outlet pressure dew point*: -100 °F
- › Electrical power supply: 120 VAC | 50 - 60Hz
- › Required pre-filtration grade SX: .01 µm | Required post-filtration grade FX: 1 µm
- › cULus listed controller with NEMA 4 indoor rating
- › ASME / CRN coded vessels
- › Min. / max. inlet air temperature: 40 °F / 120 °F
- › Min. / max. operating pressure: 60 / 150 psig

Maintenance Interval: < 8,000 hours
 Maintenance and Spare Parts: Page 96
 Extended Warranty: Page 158

OPTIONAL EQUIPMENT

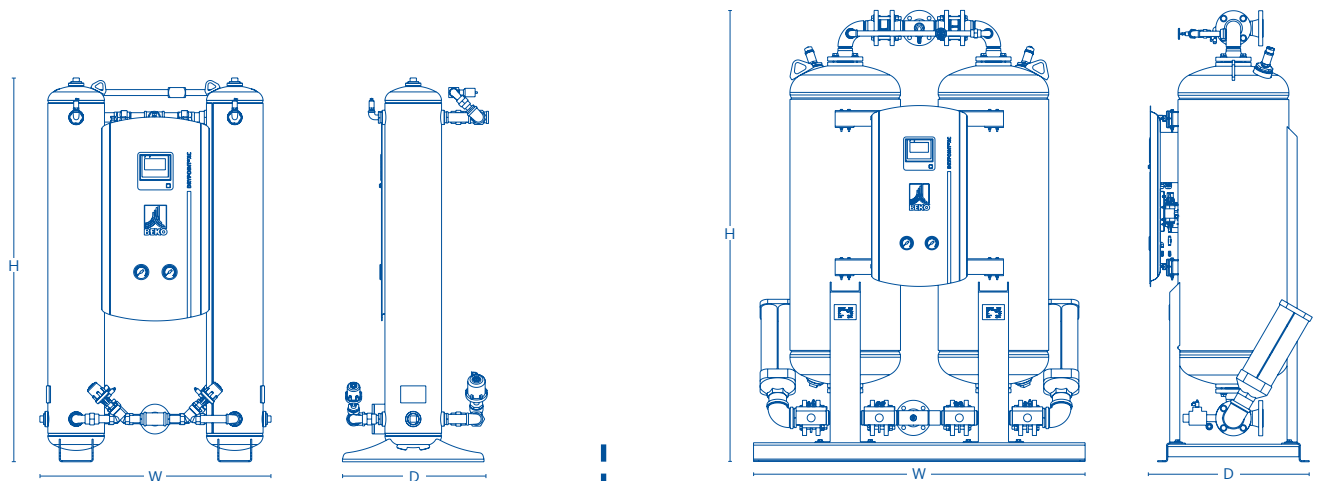
DRYPOINT® XcP	XcP 80	XcP 100	XcP 120	XcP 160	XcP 200	XcP 250	XcP 300	XcP 400	XcP 500
Drain Upgrade to BEKOMAT®	4047670								
Price (\$)	\$419								
Price Group 12									
Stainless Steel Tubing	4048557								
Price (\$)	\$2,000								
Dryer Outdoor Protection Package (above +32 °F)	4048559								
Price (\$)	\$2,208								
Dryer Outdoor Protection Package (down to -20 °F)	4048561						4048562		
Price (\$)	\$6,989						\$7,712		
Dryer and Filter Outdoor Protection Package (down to -20 °F)	4048564						4048565		
Price (\$)	\$9,196						\$10,338		
-100 °F Outlet Pressure Dew Point*	4048567				4048568			4048569	
Price (\$)	\$857				\$914			\$997	
Dew Point Demand for -40 °F	4028343								
Price (\$)	\$2,632								
Dew Point Demand for -100 °F*	4040512								
Price (\$)	\$4,994								
Failure to Switch Pressure Alarm	4029530								
Price (\$)	\$723								
Δp Filter Alarm with Gauge	4029531								
Price (\$)	\$551								
MODBUS Communication Package	4047031								
Price (\$)	\$513								

Price Group 63

*See required correction factors on page 74. Optional dew point monitor with display for -100 °F does not provide for dew point demand control.

DRYPOINT® XCp Premium Heatless Desiccant Dryers

with standard humidity demand control and BEKOTOUCH interface



DRYPOINT® XCp	XCp 650	XCp 800	XCp 1000	XCp 1200	XCp 1500	XCp 1900	XCp 2300	XCp 2800
Connection Size (NPT)	2½"	2½"	2½" Flange	2½" Flange	3" Flange	3" Flange	4" Flange	4" Flange
Flow Rate (scfm)	650	800	1000	1200	1500	1900	2300	2800
Dimensions and Weight								
H x W x D (inches)	74 x 57 x 40	71 x 61 x 43	90 x 66 x 32	91 x 66 x 37	91 x 72 x 44	96 x 72 x 44	103 x 78 x 48	103 x 78 x 48
Empty Weight (lbs)	892	944	1,490	1,792	2,814	2,814	4,168	4,168
Total Fill (lbs)	917	1,114	1,120	1,355	1,840	2,110	3,125	3,125

HEATLESS DESICCANT DRYER WITHOUT FILTERS (FILTRATION REQUIRED)

Order ref.	4026950	4026951	4029915	4029916	4029917	4029918	4029919	4029920
Price (\$)	\$25,015	\$30,150	\$34,258	\$38,150	\$47,670	\$52,152	\$63,669	\$69,559

HEATLESS DESICCANT DRYER WITH MOUNTED FILTERS

Order ref.	4027503	4027504	4029921	4029922	4029923	4029924	4029925	4029926
Price (\$)	\$31,161	\$36,421	\$41,347	\$45,625	\$58,881	\$65,062	\$84,016	\$91,000

HEATLESS DESICCANT DRYER WITH MOUNTED FILTERS AND 3-VALVE BYPASS

Order ref.	4032033	4032034	4029927	4029928	4029929	4029930	4029931	4029932
Price (\$)	\$33,226	\$38,362	\$43,556	\$47,836	\$61,475	\$67,658	\$88,212	\$95,927

Price Group 60

REQUIRED FILTERS, NOT MOUNTED

	M025	M027	M030	M032	L102
Pre-Filter .01 µm	4020558	4047760	4007153	4021297	4020762
Price (\$)	\$2,553	\$2,691	\$2,903	\$3,361	\$8,409
Post-Filter 1 µm	4021036	4030249	4021037	4043755	4021056
Price (\$)	\$2,478	\$2,619	\$2,830	\$3,289	\$7,923

Price Group 82

Correction Factors

Operating Pressure (psig)	60	70	80	90	100	110	120	130	140	150	Inlet Air Temperature °F	90	95	100	105	110	115	120
Correction Factor	0.65	0.74	0.82	0.91	1.00	1.09	1.17	1.22	1.25	1.30	Correction Factor	1.07	1.04	1.00	0.92	0.84	0.77	0.70

The correction factors above provide an estimation of the performance that can be achieved with the model sizes shown. For precise sizing for your application, please contact your BEKO Technologies sales representative.

Flow Rate at -40 °F PDP (scfm)	650	800	1000	1200	1500	1900	2300	2800
Correction Factor for -100 °F PDP	0.8							

- › Standard outlet pressure dew point: -40 °F
- › Optional outlet pressure dew point*: -100 °F
- › Electrical power supply: 120 VAC | 50 - 60Hz
- › Required pre-filtration grade SX: .01 µm | Required post-filtration grade FX: 1 µm
- › cULus listed controller with NEMA 4 indoor rating
- › ASME / CRN coded vessels
- › Min. / max. inlet air temperature: 40 °F / 120 °F
- › Min. / max. operating pressure: 60 / 150 psig

Maintenance Interval: < 8,000 hours
 Maintenance and Spare Parts: Page 96
 Extended Warranty: Page 158

OPTIONAL EQUIPMENT

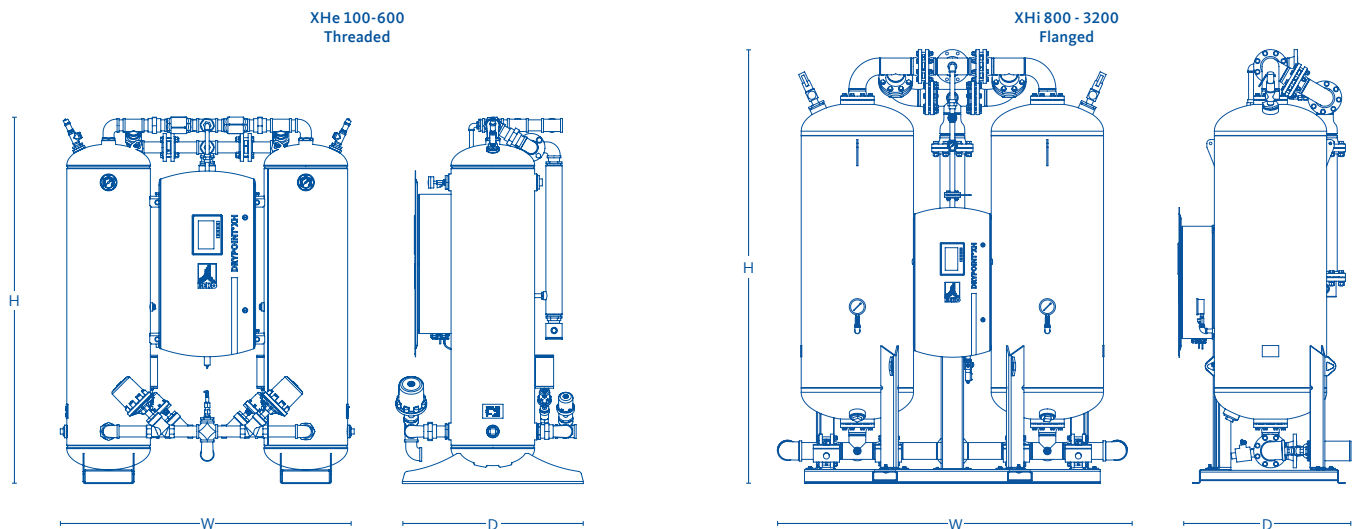
DRYPOINT® XcP	XcP 650	XcP 800	XcP 1000	XcP 1200	XcP 1500	XcP 1900	XcP 2300	XcP 2800
Stainless Steel Tubing	4048557					4048558		
Price (\$)	\$2,000					\$2,289		
Dryer Outdoor Protection Package (above +32 °F)	4048559					4048560		
Price (\$)	\$2,208					\$2,905		
Dryer Outdoor Protection Package (down to -20 °F)	4048563		4048938		4048939		4048940	
Price (\$)	\$8,388		ON REQUEST		ON REQUEST		ON REQUEST	
Dryer and Filter Outdoor Protection Package (down to -20 °F)	4048566		4048941		4048942		4048943	
Price (\$)	\$11,314		ON REQUEST		ON REQUEST		ON REQUEST	
-100 °F Outlet Pressure Dew Point*	4048569		4048947		4048948		4048949	
Price (\$)	\$997		\$1,019		\$1,120		\$1,231	
Dew Point Monitor with Display for -40 °F				4028343				
Price (\$)				\$2,632				
Dew Point Monitor with Display for -100 °F*				4040512				
Price (\$)				\$4,994				
Failure to Switch Pressure Alarm				4029530				
Price (\$)				\$723				
Δp Filter Alarm with Gauge				4029531				
Price (\$)				\$551				
MODBUS Communication Package				4047031				
Price (\$)				\$513				

Price Group 63

*See required correction factors on page 76. Optional dew point monitor with display for -100 °F does not provide for dew point demand control.

DRYPOINT® XHe Economy Heated Purge Desiccant Dryers

with external heater and BEKOTOUCH 2 controls



DRYPOINT® XHe	XHe 100	XHe 150	XHe 200	XHe 250	XHe 300	XHe 400	XHe 500	XHe 600
Connection Size (NPT)	1"	1¼"	1½"	1½"	1½"	2"	2"	2½"
Flow Rate (scfm)	100	150	200	250	300	400	500	600
Dimensions and Weight								
H x W x D (inches)	67 x 39 x 27	71 x 46 x 29	73 x 52 x 30	73 x 52 x 30	75 x 54 x 30	78 x 61 x 36	79 x 64 x 39	78 x 74 x 42
Empty Weight (lbs)	568	571	581	669	804	994	1072	1331
Total Fill (lbs)	140	210	280	350	420	560	700	840

HEATED PURGE DESICCANT DRYER WITHOUT FILTERS (FILTRATION REQUIRED)

Order ref.	4060268	4060269	4060270	4060271	4060272	4060273	4060274	4060275
Price (\$)	\$23,800	\$24,303	\$25,633	\$26,882	\$31,179	\$32,596	\$34,832	\$40,994

HEATED PURGE DESICCANT DRYER WITH MOUNTED FILTERS

Order ref.	4060284	4060285	4060286	4060287	4060288	4060289	4060290	4060291
Price (\$)	\$24,892	\$25,855	\$27,267	\$29,319	\$33,761	\$35,405	\$38,656	\$47,005

HEATED PURGE DESICCANT DRYER WITH MOUNTED FILTERS AND 3-VALVE BYPASS

Order ref.	4060292	4060293	4060294	4060295	4060296	4060297	4060298	4060299
Price (\$)	\$25,323	\$26,717	\$28,213	\$30,278	\$34,721	\$36,721	\$39,733	\$49,413

Price Group 65

REQUIRED FILTERS, NOT MOUNTED

	S100	M010	M012	M015	M018	M020	M022
Order ref.	4020388	4003524	4007053	4003405	4014542	4003406	4013032
Price (\$)	\$527	\$559	\$632	\$823	\$895	\$1,052	\$1,160
Order ref.	4021030	4021031	4024402	4021032	4021033	4007876	4021034
Price (\$)	\$438	\$457	\$529	\$752	\$833	\$1,040	\$1,114

Price Group 82

OPTIONAL EQUIPMENT

Drain upgrade to BEKOMAT®	4047670							
Price (\$)	\$419							
Δp Filter Alarm with Gauge	4029531							
Price (\$)	\$551							
Failure to Switch Pressure Alarm	4029530							
Price (\$)	\$723							
Tower Insulation (indoor only)	4060426	4060427	4060428	4060429	4060430	4060431	4060432	4060433
Price (\$)	\$2,550	\$2,657	\$2,813	\$2,813	\$3,014	\$3,216	\$3,372	\$3,619

Price Group 65

- › Standard outlet pressure dew point: -40 °F
- › Electrical power supply: XHe 100 - 250: 120 VAC / 1Ph / 60 Hz
XHe 300 - 3200: 460 VAC / 3 Ph / 60 Hz
- › Required pre-filtration grade SX: .01 µm | Required post-filtration grade FX: 1 µm
- › cULus certified controls with NEMA 4 indoor rating
- › Min. / max. inlet air temperature: 40 °F / 120 °F
- › Min. / max. ambient temperature: 40 °F / 120 °F
- › Min. / max. operating pressure: 60 / 150 psig

Maintenance Interval: < 8,000 hours
Maintenance and Spare Parts: Page 96
Extended Warranty: Page 158

DRYPOINT® XHe	XHe 800	XHe 1000	XHe 1200	XHe 1500	XHe 1800	XHe 2100	XHe 2500	XHe 3200
Connection Size (Flanged)	2½"	2½"	2½"	3"	3"	4"	4"	6"
Flow Rate (scfm)	800	1000	1200	1500	1800	2100	2500	3200
Dimensions and Weight								
H x W x D (inches)	109 x 69 x 39	111 x 73 x 41	114 x 76 x 42	99 x 88 x 47	116 x 98 x 45	110 x 98 x 47	125 x 97 x 47	119 x 119 x 53
Empty Weight (lbs)	1514	1837	2102	2214	2771	3330	3676	4349
Total Fill (lbs)	1120	1400	1680	2100	2520	2940	3500	4480

HEATED PURGE DESICCANT DRYER WITHOUT FILTERS (FILTRATION REQUIRED)

Order ref.	4060276	4060277	4060278	4060279	4060280	4060281	4060282	4060283
Price (\$)	\$46,794	\$59,603	\$64,794	\$70,210	\$74,444	\$91,620	\$93,315	\$102,341

Price Group 65

STANDALONE SKID-MOUNTED FILTRATION PACKAGE (PIPING KIT NOT INCLUDED)

H x W x D:	70 x 40 x 26	70 x 40 x 26	70 x 40 x 32	70 x 40 x 32	74 x 44 x 36
Order ref.	4049687	4049689	4049691	4049693	4049695
Price (\$)	\$8,100	\$9,056	\$17,562	\$21,766	\$25,727

STANDALONE SKID-MOUNTED FILTRATION PACKAGE WITH 3-VALVE BYPASS (PIPING KIT NOT INCLUDED)

Order ref.	4057760	4057761	4057762	4057763	4057764
Price (\$)	\$10,210	\$11,512	\$21,004	\$25,078	\$31,816

STANDALONE SKID-MOUNTED FILTRATION PACKAGE WITH INTERCONNECTING PIPING KIT

Order ref.	Consult Factory
Price (\$)	ON REQUEST

STANDALONE SKID-MOUNTED FILTRATION PACKAGE WITH INTERCONNECTING PIPING KIT & 3-VALVE BYPASS

Order ref.	Consult Factory
Price (\$)	ON REQUEST

Price Group 65

REQUIRED FILTERS, NOT MOUNTED

	M025	M030	L100	L102	L150
Order ref.	4020558	4007153	4020750	4020762	4045133
Price (\$)	\$2,553	\$2,903	\$6,753	\$8,409	\$10,059
Order ref.	4021036	4021037	4032234	4021056	4048944
Price (\$)	\$2,478	\$2,830	\$6,285	\$7,923	\$9,570

Price Group 82

OPTIONAL EQUIPMENT

Δp Filter Alarm with Gauge	4029531							
Price (\$)	\$551							
Valve Limit Switches	4060443							
Price (\$)	ON REQUEST							
Tower Insulation (indoor only)	4060434	4060435	4060436	4060437	4060438	4060439	4060440	4060441
Price (\$)	\$4,259	\$4,411	\$4,611	\$4,817	\$4,964	\$5,082	\$5,623	\$6,575

Price Group 65

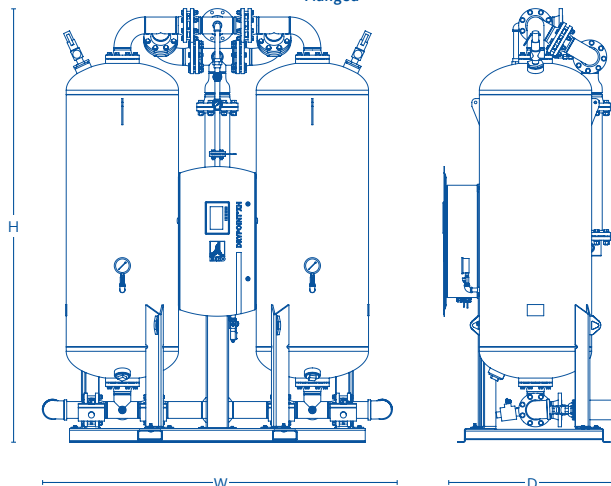
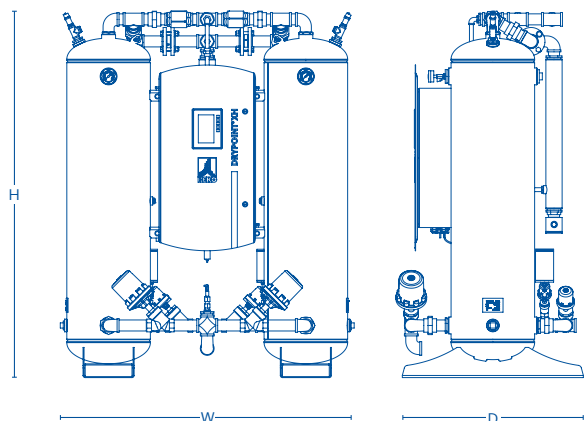
DRYPOINT® XHi Intelligent Heated Purge Desiccant Dryers

with external heater, variable purge valve, and BEKOTOUCH 2 controls



XHi 100-600
Threaded

XHi 800 - 3200
Flanged



DRYPOINT® XHi	XHi 100	XHi 150	XHi 200	XHi 250	XHi 300	XHi 400	XHi 500	XHi 600
Connection Size (NPT)	1"	1¼"	1½"	1½"	1½"	2"	2"	2½"
Flow Rate (scfm)	100	150	200	250	300	400	500	600
Dimensions and Weight								
H x W x D (inches)	67 x 39 x 27	71 x 46 x 29	73 x 52 x 30	73 x 52 x 30	75 x 54 x 30	78 x 61 x 36	79 x 64 x 39	78 x 74 x 42
Empty Weight (lbs)	574	576	670	673	808	999	1077	1336
Total Fill (lbs)	140	210	280	350	420	560	700	840

HEATED BLOWER DESICCANT DRYER WITHOUT FILTERS (FILTRATION REQUIRED)

Order ref.	4060300	4060301	4060302	4060303	4060304	4060305	4060306	4060307
Price (\$)	\$30,720	\$31,223	\$32,426	\$34,107	\$38,182	\$39,581	\$41,996	\$48,158

HEATED PURGE DESICCANT DRYER WITH MOUNTED FILTERS

Order ref.	4060316	4060317	4060318	4060319	4060320	4060321	4060322	4060323
Price (\$)	\$31,617	\$32,580	\$33,869	\$36,340	\$40,566	\$42,193	\$45,618	\$53,967

HEATED PURGE DESICCANT DRYER WITH MOUNTED FILTERS AND 3-VALVE BYPASS

Order ref.	4060324	4060325	4060326	4060327	4060328	4060329	4060330	4060331
Price (\$)	\$32,048	\$33,442	\$34,815	\$37,299	\$41,526	\$43,509	\$46,695	\$56,375

Price Group 65

REQUIRED FILTERS, NOT MOUNTED

	S100	M010	M012	M015	M018	M020	M022
Order ref.	4020388	4003524	4007053	4003405	4014542	4003406	4013032
Price (\$)	\$527	\$559	\$632	\$823	\$895	\$1,052	\$1,160
Order ref.	4021030	4021031	4024402	4021032	4021033	4007876	4021034
Price (\$)	\$438	\$457	\$529	\$752	\$833	\$1,040	\$1,114

Price Group 82

OPTIONAL EQUIPMENT

Δp Filter Alarm with Gauge	4029531							
Price (\$)	\$551							
Dew Point Demand	4060442							
Price (\$)	\$2,842							
Tower Insulation (indoor only)	4060426	4060427	4060428	4060429	4060430	4060431	4060432	4060433
Price (\$)	\$2,550	\$2,657	\$2,813	\$2,813	\$3,014	\$3,216	\$3,372	\$3,619

Price Group 65

- › Standard outlet pressure dew point: -40 °F
- › Electrical power supply: XHi 100 - 250: 120 VAC / 1Ph / 60 Hz
XHi 300 - 3200: 460 VAC / 3 Ph / 60 Hz
- › Required pre-filtration grade SX: .01 µm | Required post-filtration grade FX: 1 µm
- › cULus certified controls with NEMA 4 indoor rating
- › Min. / max. inlet air temperature: 40 °F / 120 °F
- › Min. / max. ambient temperature: 40 °F / 120 °F
- › Min. / max. operating pressure: 60 / 150 psig

Maintenance Interval: < 8,000 hours
 Maintenance and Spare Parts: Page 96
 Extended Warranty: Page 158

DRYPOINT® XHi	XHi 800	XHi 1000	XHi 1200	XHi 1500	XHi 1800	XHi 2100	XHi 2500	XHi 3200
Connection Size (Flanged)	2½"	2½"	3"	3"	3"	4"	4"	6"
Flow Rate (scfm)	800	1000	1200	1500	1800	2100	2500	3200
Dimensions and Weight								
H x W x D (inches)	109 x 69 x 39	111 x 73 x 41	114 x 76 x 42	99 x 88 x 47	116 x 98 x 45	110 x 98 x 47	125 x 97 x 47	119 x 119 x 53
Empty Weight (lbs)	1552	1876	2160	2233	2801	3360	3624	4401
Total Fill (lbs)	1120	1400	1680	2100	2520	2940	3500	4480

HEATED BLOWER DESICCANT DRYER WITHOUT FILTERS (FILTRATION REQUIRED)

Order ref.	4060308	4060309	4060310	4060311	4060312	4060313	4060314	4060315
Price (\$)	\$54,074	\$66,906	\$72,026	\$78,191	\$82,193	\$99,437	\$101,133	\$110,776

Price Group 65

STANDALONE SKID-MOUNTED FILTRATION PACKAGE (PIPING KIT NOT INCLUDED)

H x W x D:	70 x 40 x 26	70 x 40 x 26	70 x 40 x 32	70 x 40 x 32	74 x 44 x 36
Order ref.	4049687	4049689	4049691	4049693	4049695
Price (\$)	\$8,100	\$9,056	\$17,562	\$21,766	\$25,727

STANDALONE SKID-MOUNTED FILTRATION PACKAGE WITH 3-VALVE BYPASS (PIPING KIT NOT INCLUDED)

Order ref.	4057760	4057761	4057762	4057763	4057764
Price (\$)	\$10,210	\$11,512	\$21,004	\$25,078	\$31,816

STANDALONE SKID-MOUNTED FILTRATION PACKAGE WITH INTERCONNECTING PIPING KIT

Order ref.	Consult Factory				
Price (\$)	ON REQUEST				

STANDALONE SKID-MOUNTED FILTRATION PACKAGE WITH INTERCONNECTING PIPING KIT & 3-VALVE BYPASS

Order ref.	Consult Factory				
Price (\$)	ON REQUEST				

Price Group 65

REQUIRED FILTERS, NOT MOUNTED

	M025	M030	L100	L102	L150
Order ref.	4020558	4007153	4020750	4020762	4045133
Price (\$)	\$2,553	\$2,903	\$6,753	\$8,409	\$10,059
Order ref.	4021036	4021037	4032234	4021056	4048944
Price (\$)	\$2,478	\$2,830	\$6,285	\$7,923	\$9,570

Price Group 82

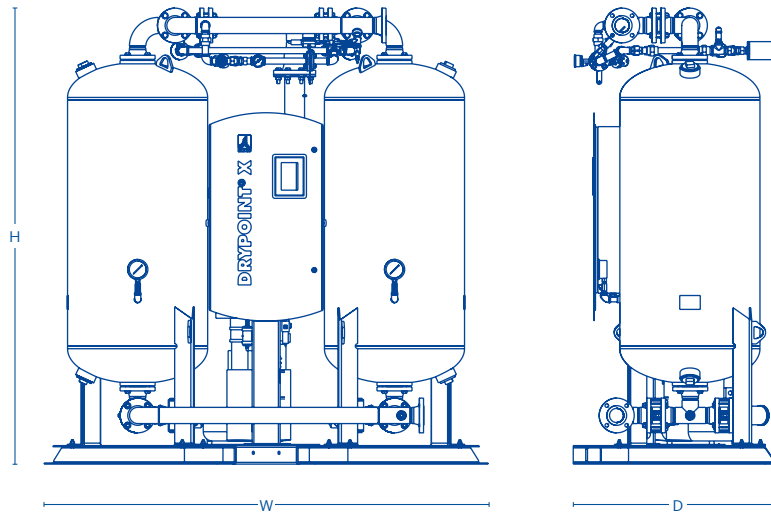
OPTIONAL EQUIPMENT

Δp Filter Alarm with Gauge	4029531							
Price (\$)	\$551							
Dew Point Demand	4060442							
Price (\$)	\$2,842							
Tower Insulation (indoor only)	4060434	4060435	4060436	4060437	4060438	4060439	4060440	4060441
Price (\$)	\$4,259	\$4,411	\$4,611	\$4,817	\$4,964	\$5,082	\$5,623	\$6,575

Price Group 65

DRYPOINT® XFe Economy Heated Blower Desiccant Dryers

with externally operated blower, high performance valves, **BEKOTOUCH 2** controls, and loose filtration



DRYPOINT® XFe	XFe 800	XFe 1000	XFe 1200	XFe 1500	XFe 1800
Connection Size (NPT)	2½" Flange	2½" Flange	3" Flange	3" Flange	4" Flange
Flow Rate (scfm)	800	1000	1200	1500	1800
Dimensions and Weight					
H x W x D (inches)	110 x 95 x 39	111 x 95 x 39	115 x 106 x 47	99 x 106 x 47	118 x 126 x 54
Empty Weight (lbs)	1,841	2,222	2,417	2,486	3,354
Total Fill (lbs)	1,260	1,570	1,890	2,370	2,840

HEATED BLOWER DESICCANT DRYER WITHOUT FILTERS (FILTRATION REQUIRED)

Order ref.	4052633	4052634	4052635	4052636	4052637
Price (\$)	\$71,587	\$80,358	\$84,465	\$100,835	\$108,467

Price Group 65

REQUIRED FILTERS, NOT MOUNTED

	M025	M030	L100
Pre-Filter .01 µm	4020558	4007153	4020750
Price (\$)	\$2,553	\$2,903	\$6,753
Post-Filter 1 µm	4021036	4021037	4032234
Price (\$)	\$2,478	\$2,830	\$6,285

Price Group 82

OPTIONAL EQUIPMENT

Dew Point Demand		4034925			
Price (\$)		\$2,842			
Δp Filter Alarm with Gauge		4063160			
Price (\$)		\$1,041			
Valve Position Indicators		4034919			
Price (\$)		\$1,989			
Tower Insulation (indoor only)	4034853	4034859	4034865	4034871	4034877
Price (\$)	\$4,259	\$4,411	\$4,611	\$4,817	\$4,964

Price Group 65

- › Standard outlet pressure dew point: -40 °F
- › Electrical power supply: 460 VAC / 3 Ph / 60 Hz
- › Required pre-filtration grade SX: .01 µm | Required post-filtration grade FX: 1 µm
- › cULus certified controls with NEMA 4 indoor rating
- › Min. / max. inlet air temperature: 40 °F / 120 °F
- › Min. / max. ambient temperature: 40 °F / 120 °F
- › Min. / max. operating pressure: 60 / 150 psig

Maintenance Interval: < 8,000 hours
 Maintenance and Spare Parts: Page 96
 Extended Warranty: Page 158

DRYPOINT® XFe	XFe 2300	XFe 2800	XFe 3300	XFe 4000	XFe 5000	XFe 6000
Connection Size (NPT)	4" Flange	4" Flange	6" Flange	6" Flange	6" Flange	6" Flange
Flow Rate (scfm)	2300	2800	3300	4000	5000	6000
Dimensions and Weight						
H x W x D (inches)	112 x 126 x 54	127 x 126 x 54	121 x 148 x 71	138 x 149 x 71	137 x 192 x 66	136 x 192 x 66
Empty Weight (lbs)	3,951	3,967	4,766	5,507	7,206	8,422
Total Fill (lbs)	3,640	4,390	5,180	6,260	7,820	9,380

HEATED BLOWER DESICCANT DRYER WITHOUT FILTERS (FILTRATION REQUIRED)

Order ref.	4052638	4052639	4052640	4052641	4052642	4052643
Price (\$)	\$124,765	\$139,185	\$178,359	\$202,134	\$230,917	\$267,786

Price Group 65

REQUIRED FILTERS, NOT MOUNTED

	L102	L150	L156
Pre-Filter .01 µm	4020762	4045133	4047776
Price (\$)	\$8,409	\$10,059	\$12,416
Post-Filter 1 µm	4021056	4048944	4021058
Price (\$)	\$7,923	\$9,570	\$11,928

Price Group 82

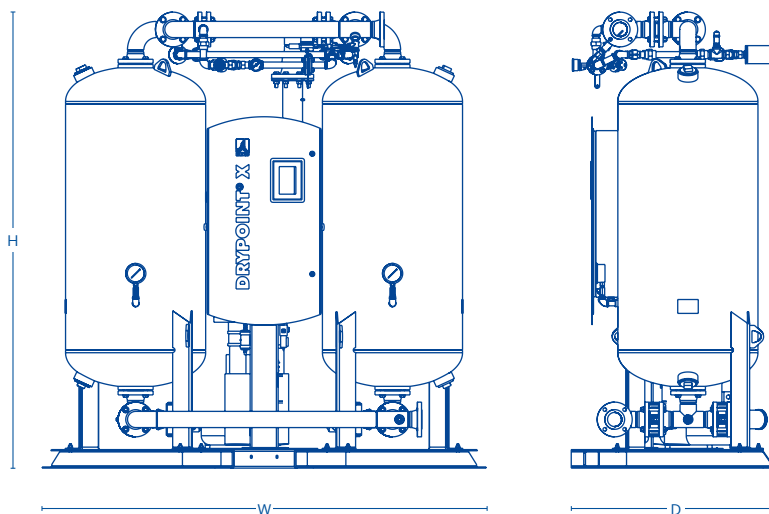
OPTIONAL EQUIPMENT

Dew Point Demand	4034925					
Price (\$)	\$2,842					
Δp Filter Alarm with Gauge	4063160					
Price (\$)	\$1,041					
Valve Position Indicators	4034919					
Price (\$)	\$1,989					
Tower Insulation (indoor only)	4034883	4034889	4034895	4034901	4034907	4034913
Price (\$)	\$5,082	\$5,623	\$6,575	\$6,999	\$7,645	\$8,409

Price Group 82

DRYPOINT® XFe Economy Heated Blower Desiccant Dryers

with externally operated blower, high performance valves, **BEKOTOUCH 2** controls, and filtration packages



DRYPOINT® XFe	XFe 800	XFe 1000	XFe 1200	XFe 1500	XFe 1800
Connection Size (Flanged)	2½"	2½"	3"	3"	4"
Flow Rate (scfm)	800	1000	1200	1500	1800
Dimensions and Weight					
H x W x D (inches)	110 x 95 x 39	111 x 95 x 39	115 x 106 x 47	99 x 106 x 47	118 x 126 x 54
Empty Weight (lbs)	1,841	2,222	2,417	2,486	3,354
Total Fill (lbs)	1,260	1,570	1,890	2,370	2,840

HEATED BLOWER DESICCANT DRYER WITHOUT FILTERS (FILTRATION REQUIRED)

Order ref.	4052633	4052634	4052635	4052636	4052637
Price (\$)	\$71,587	\$80,358	\$84,465	\$100,835	\$108,467

Price Group 65

STANDALONE SKID-MOUNTED FILTRATION PACKAGE (PIPING KIT NOT INCLUDED)

H x W x D:	70 x 40 x 26	70 x 40 x 26	70 x 40 x 26	70 x 40 x 32
Order ref.	4049687	4049687	4049689	4049691
Price (\$)	\$8,100	\$8,100	\$9,056	\$17,562

STANDALONE SKID-MOUNTED FILTRATION PACKAGE WITH 3-VALVE BYPASS (PIPING KIT NOT INCLUDED)

Order ref.	4057760	4057761	4057761	4057762
Price (\$)	\$10,210	\$11,512	\$11,512	\$21,004

STANDALONE SKID-MOUNTED FILTRATION PACKAGE WITH INTERCONNECTING PIPING KIT

Order ref.	4058335	4058336	4058337	4058338	4058339
Price (\$)	\$11,419	\$11,419	\$18,198	\$18,098	\$29,129

STANDALONE SKID-MOUNTED FILTRATION PACKAGE WITH INTERCONNECTING PIPING KIT & 3-VALVE BYPASS

Order ref.	4059073	4059074	4059075	4059076	4059077
Price (\$)	\$13,530	\$13,530	\$20,655	\$20,553	\$32,571

Price Group 65

OPTIONAL EQUIPMENT

Dew Point Demand Control			4034925		
Price (\$)			\$2,842		
Δp Filter Alarm with Gauge			4063160		
Price (\$)			\$1,041		
Valve Position Indicators			4034919		
Price (\$)			\$1,989		
Tower Insulation (indoor only)	4034853	4034859	4034865	4034871	4034877
Price (\$)	\$4,259	\$4,411	\$4,611	\$4,817	\$4,964

Price Group 65

- › Standard outlet pressure dew point: -40 °F
- › Electrical power supply: 460 VAC / 3 Ph / 60 Hz
- › Required pre-filtration grade SX: .01 µm | Required post-filtration grade FX: 1 µm
- › cULus certified controls with NEMA 4 indoor rating
- › Min. / max. inlet air temperature: 40 °F / 120 °F
- › Min. / max. ambient temperature: 40 °F / 120 °F
- › Min. / max. operating pressure: 60 / 150 psig

Maintenance Interval: < 8,000 hours
 Maintenance and Spare Parts: Page 96
 Extended Warranty: Page 158

DRYPOINT® XFe	XFe 2300	XFe 2800	XFe 3300	XFe 4000	XFe 5000	XFe 6000
Connection Size (Flanged)	4"	4"	6"	6"	6"	6"
Flow Rate (scfm)	2300	2800	3300	4000	5000	6000
Dimensions and Weight						
H x W x D (inches)	112 x 126 x 54	127 x 126 x 54	121 x 148 x 71	138 x 149 x 71	137 x 192 x 66	136 x 192 x 66
Empty Weight (lbs)	3,951	3,967	4,766	5,507	7,206	8,422
Total Fill (lbs)	3,640	4,390	5,180	6,260	7,820	9,380

HEATED BLOWER DESICCANT DRYER WITHOUT FILTERS (FILTRATION REQUIRED)

Order ref.	4052638	4052639	4052640	4052641	4052642	4052643
Price (\$)	\$124,765	\$139,185	\$178,359	\$202,134	\$230,917	\$267,786

Price Group 65

STANDALONE SKID-MOUNTED FILTRATION PACKAGE (PIPING KIT NOT INCLUDED)

H x W x D:	70 x 40 x 32	74 x 44 x 36	74 x 44 x 36
Order ref.	4049693	4049695	4049697
Price (\$)	\$21,766	\$25,727	\$35,666

STANDALONE SKID-MOUNTED FILTRATION PACKAGE WITH 3-VALVE BYPASS (PIPING KIT NOT INCLUDED)

Order ref.	4057763	4057764	4057765
Price (\$)	\$25,078	\$31,816	\$41,643

STANDALONE SKID-MOUNTED FILTRATION PACKAGE WITH INTERCONNECTING PIPING KIT

Order ref.	4058340	4058341	4058342	4058343	4058344	4058345
Price (\$)	\$34,139	\$34,238	\$47,108	\$57,614	\$57,537	\$57,516

STANDALONE SKID-MOUNTED FILTRATION PACKAGE WITH INTERCONNECTING PIPING KIT & 3-VALVE BYPASS

Order ref.	4059078	4059079	4059080	4059081	4059082	4059083
Price (\$)	\$37,581	\$37,680	\$50,957	\$61,464	\$61,385	\$61,364

Price Group 65

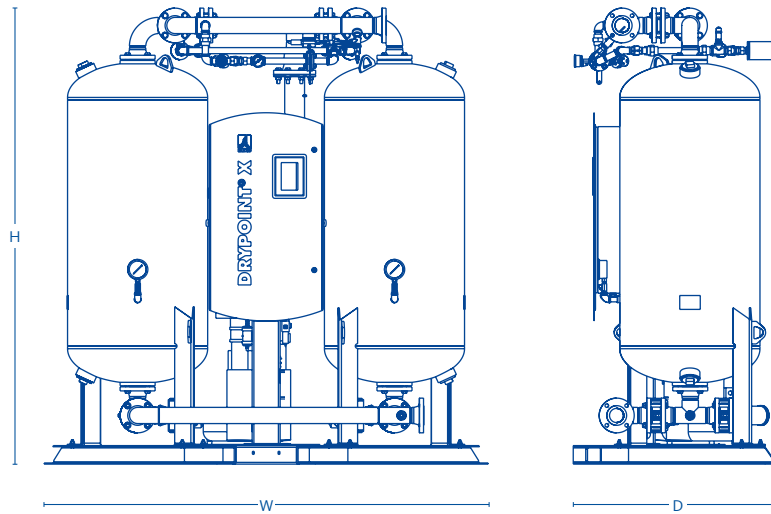
OPTIONAL EQUIPMENT

Dew Point Demand Control	4034925					
Price (\$)	\$2,842					
Δp Filter Alarm with Gauge	4063160					
Price (\$)	\$1,041					
Valve Position Indicators	4034919					
Price (\$)	\$1,989					
Tower Insulation (indoor only)	4034883	4034889	4034895	4034901	4034907	4034913
Price (\$)	\$5,082	\$5,623	\$6,575	\$6,999	\$7,645	\$8,409

Price Group 65

DRYPOINT® XFi ecoIntelligent Heated Blower Desiccant Dryers

with externally operated blower, 0-3% purge using auto-adjusting software, **BEKOTOUCH 2** controls, and loose filtration



DRYPOINT® XFi	XFi 800	XFi 1000	XFi 1200	XFi 1500	XFi 1800
Connection Size (Flanged)	2½"	2½"	3"	3"	4"
Flow Rate (scfm)	800	1000	1200	1500	1800
Dimensions and Weight					
H x W x D (inches)	110 x 95 x 39	111 x 95 x 39	115 x 106 x 47	99 x 106 x 47	118 x 126 x 54
Empty Weight (lbs)	1,815	2,104	2,357	2,526	3,057
Total Fill (lbs)	1,260	1,570	1,890	2,370	2,840

HEATED BLOWER DESICCANT DRYER WITHOUT FILTERS (FILTRATION REQUIRED)

Order ref.	4052644	4052645	4052646	4052647	4052648
Price (\$)	\$80,580	\$89,461	\$94,428	\$107,934	\$115,325

Price Group 65

REQUIRED FILTERS, NOT MOUNTED

	M025	M030	L100
Pre-Filter .01 µm	4020558	4007153	4020750
Price (\$)	\$2,553	\$2,903	\$6,753
Post-Filter 1 µm	4021036	4021037	4032234
Price (\$)	\$2,478	\$2,830	\$6,285

Price Group 82

OPTIONAL EQUIPMENT

Δp Filter Alarm with Gauge	4063160				
Price (\$)	\$1,041				
Tower Insulation (indoor only)	4034853	4034859	4034865	4034871	4034877
Price (\$)	\$4,259	\$4,411	\$4,611	\$4,817	\$4,964

Price Group 65

- › Standard outlet pressure dew point: -40 °F
- › Electrical power supply: 460 VAC / 3 Ph / 60 Hz
- › Required pre-filtration grade SX: .01 µm | Required post-filtration grade FX: 1 µm
- › cULus certified controls with NEMA 4 indoor rating
- › Min. / max. inlet air temperature: 40 °F / 120 °F
- › Min. / max. ambient temperature: 40 °F / 120 °F
- › Min. / max. operating pressure: 60 / 150 psig

Maintenance Interval: < 8,000 hours
 Maintenance and Spare Parts: Page 96
 Extended Warranty: Page 158

DRYPOINT® XFi	XFi 2300	XFi 2800	XFi 3300	XFi 4000	XFi 5000	XFi 6000
Connection Size (Flanged)	4"	4"	6"	6"	6"	6"
Flow Rate (scfm)	2300	2800	3300	4000	5000	6000
Dimensions and Weight						
H x W x D (inches)	112 x 126 x 54	126 x 126 x 54	121 x 148 x 71	138 x 149 x 71	137 x 192 x 66	136 x 192 x 66
Empty Weight (lbs)	3,698	4,000	5,592	6,468	7,236	7,711
Total Fill (lbs)	3,640	4,390	5,180	6,260	7,820	9,380

HEATED BLOWER DESICCANT DRYER WITHOUT FILTERS (FILTRATION REQUIRED)

Order ref.	4052649	4052650	4052651	4052652	4052653	4052654
Price (\$)	\$132,028	\$149,482	\$188,615	\$207,373	\$237,450	\$274,549

Price Group 65

REQUIRED FILTERS, NOT MOUNTED

	L102	L150	L156
Pre-Filter .01 µm	4020762	4045133	4047776
Price (\$)	\$8,409	\$10,059	\$12,416
Post-Filter 1 µm	4021056	4048944	4021058
Price (\$)	\$7,923	\$9,570	\$11,928

Price Group 82

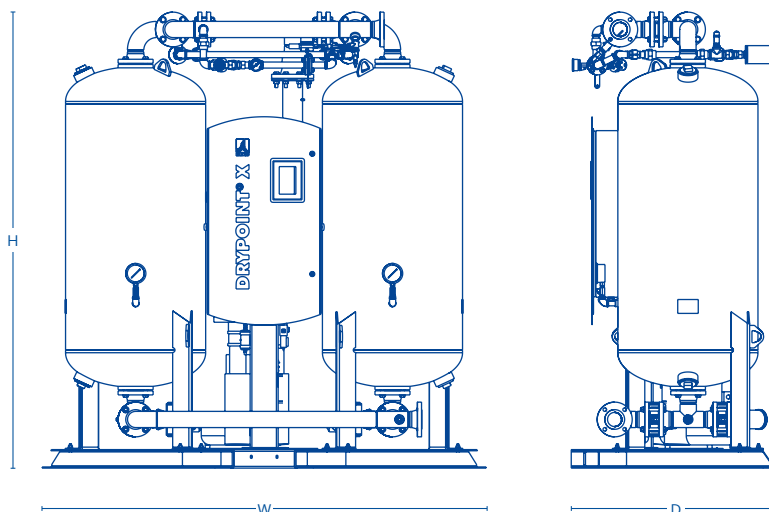
OPTIONAL EQUIPMENT

Δp Filter Alarm with Gauge	4063160					
Price (\$)	\$1,041					
Tower Insulation (indoor only)	4034883	4034889	4034895	4034901	4034907	4034913
Price (\$)	\$5,082	\$5,623	\$6,575	\$6,999	\$7,645	\$8,409

Price Group 65

DRYPOINT® XFi ecoIntelligent Heated Blower Desiccant Dryers

with externally operated blower, 0-3% purge using auto-adjusting software, **BEKOTOUCH 2** controls, and filtration packages



DRYPOINT® XFi	XFi 800	XFi 1000	XFi 1200	XFi 1500	XFi 1800
Connection Size (NPT)	2½" Flange	2½" Flange	3" Flange	3" Flange	4" Flange
Flow Rate (scfm)	800	1000	1200	1500	1800
Dimensions and Weight					
H x W x D (inches)	110 x 95 x 39	111 x 95 x 39	115 x 106 x 47	99 x 106 x 47	118 x 126 x 54
Empty Weight (lbs)	1,815	2,104	2,357	2,526	3,057
Total Fill (lbs)	1,260	1,570	1,890	2,370	2,840

HEATED BLOWER DESICCANT DRYER WITHOUT FILTERS (FILTRATION REQUIRED)

Order ref.	4052644	4052645	4052646	4052647	4052648
Price (\$)	\$80,580	\$89,461	\$94,428	\$107,934	\$115,325

Price Group 65

STANDALONE SKID-MOUNTED FILTRATION PACKAGE (PIPING KIT NOT INCLUDED)

H x W x D:	70 x 40 x 26	70 x 40 x 26	70 x 40 x 26	70 x 40 x 32
Order ref.	4049687	4049687	4049689	4049691
Price (\$)	\$8,100	\$8,100	\$9,056	\$17,562

STANDALONE SKID-MOUNTED FILTRATION PACKAGE WITH 3-VALVE BYPASS (PIPING KIT NOT INCLUDED)

Order ref.	4057760	4057761	4057761	4057762
Price (\$)	\$10,210	\$11,512	\$11,512	\$21,004

STANDALONE SKID-MOUNTED FILTRATION PACKAGE WITH INTERCONNECTING PIPING KIT

Order ref.	4058335	4058336	4058337	4058338	4058339
Price (\$)	\$11,419	\$11,419	\$18,198	\$18,098	\$29,129

STANDALONE SKID-MOUNTED FILTRATION PACKAGE WITH INTERCONNECTING PIPING KIT & 3-VALVE BYPASS

Order ref.	4059073	4059074	4059075	4059076	4059077
Price (\$)	\$13,530	\$13,530	\$20,655	\$20,553	\$32,571

Price Group 65

OPTIONAL EQUIPMENT

Δp Filter Alarm with Gauge	4063160				
Price (\$)	\$1,041				
Tower Insulation (indoor only)	4034853	4034859	4034865	4034871	4034877
Price (\$)	\$4,098	\$4,245	\$4,438	\$4,636	\$4,777

Price Group 65

- › Standard outlet pressure dew point: -40 °F
- › Electrical power supply: 460 VAC / 3 Ph / 60 Hz
- › Required pre-filtration grade SX: .01 µm | Required post-filtration grade FX: 1 µm
- › cULus certified controls with NEMA 4 indoor rating
- › Min. / max. inlet air temperature: 40 °F / 120 °F
- › Min. / max. ambient temperature: 40 °F / 120 °F
- › Min. / max. operating pressure: 60 / 150 psig

Maintenance Interval: < 8,000 hours
 Maintenance and Spare Parts: Page 96
 Extended Warranty: Page 158

DRYPOINT® XFI	XFi 2300	XFi 2800	XFi 3300	XFi 4000	XFi 5000	XFi 6000
Connection Size (NPT)	4" Flange	4" Flange	6" Flange	6" Flange	6" Flange	6" Flange
Flow Rate (scfm)	2300	2800	3300	4000	5000	6000
Dimensions and Weight						
H x W x D (inches)	112 x 126 x 54	126 x 126 x 54	121 x 148 x 71	138 x 149 x 71	137 x 192 x 66	136 x 192 x 66
Empty Weight (lbs)	3,698	4,000	5,592	6,468	7,236	7,711
Total Fill (lbs)	3,640	4,390	5,180	6,260	7,820	9,380

HEATED BLOWER DESICCANT DRYER WITHOUT FILTERS (FILTRATION REQUIRED)

Order ref.	4052649	4052650	4052651	4052652	4052653	4052654
Price (\$)	\$132,028	\$149,482	\$188,615	\$207,373	\$237,450	\$274,549

Price Group 65

STANDALONE SKID-MOUNTED FILTRATION PACKAGE (PIPING KIT NOT INCLUDED)

H x W x D:	70 x 40 x 32	74 x 44 x 36	74 x 44 x 36
Order ref.	4049693	4049695	4049697
Price (\$)	\$21,766	\$25,727	\$35,666

STANDALONE SKID-MOUNTED FILTRATION PACKAGE WITH 3-VALVE BYPASS (PIPING KIT NOT INCLUDED)

Order ref.	4057763	4057764	4057765
Price (\$)	\$25,078	\$31,816	\$41,643

STANDALONE SKID-MOUNTED FILTRATION PACKAGE WITH INTERCONNECTING PIPING KIT

Order ref.	4058340	4058341	4058342	4058343	4058344	4058345
Price (\$)	\$34,139	\$34,238	\$47,108	\$57,614	\$57,537	\$57,516

STANDALONE SKID-MOUNTED FILTRATION PACKAGE WITH INTERCONNECTING PIPING KIT & 3-VALVE BYPASS

Order ref.	4059078	4059079	4059080	4059081	4059082	4059083
Price (\$)	\$37,581	\$37,680	\$50,957	\$61,464	\$61,385	\$61,364

Price Group 65

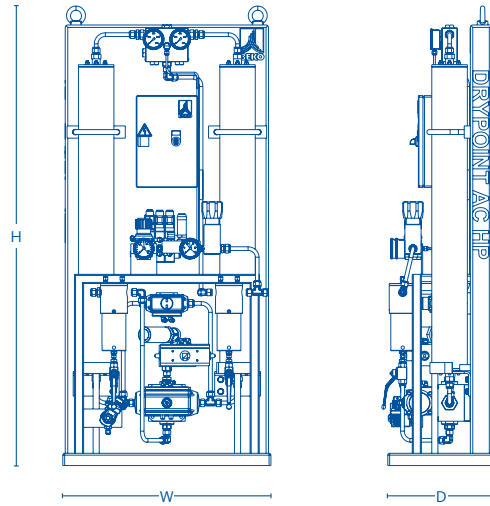
OPTIONAL EQUIPMENT

Δp Filter Alarm with Gauge	4063160					
Price (\$)	\$1,041					
Tower Insulation (indoor only)	4034883	4034889	4034895	4034901	4034907	4034913
Price (\$)	\$4,890	\$5,411	\$6,328	\$6,735	\$7,358	\$8,094

Price Group 65

DRYPOINT® AC HP Heatless High Pressure Desiccant Dryers

full stainless steel components with PLC controller



DRYPOINT® AC HP	AC 60 HP 100	AC 90 HP 100	AC 160 HP 100	AC 250 HP 100	AC 390 HP 100	AC 110 HP 250	AC 145 HP 250	AC 210 HP 250
Connection Size (NPT)	½"	½"	½"	½"	½"	½"	½"	½"
Flow Rate (scfm)	35	50	95	145	230	65	85	125
Max. Pressure (psig)	1450	1450	1450	1450	1450	3600	3600	3600

Dimensions and Weight

H x W x D (inches)	57 x 31 x 18	59 x 31 x 18	59 x 31 x 18	70 x 31 x 18	70 x 33 x 20	53 x 31 x 18	53 x 31 x 18	66 x 31 x 18
Weight (lbs)	350	350	400	550	570	460	485	540

Price (\$)	ON REQUEST							
-------------------	-------------------	--	--	--	--	--	--	--

Price Group 61

OPTIONAL EQUIPMENT

Purge Air Heater	Consult Factory
Price (\$)	\$4,757
Shock Proofing	Consult Factory
Price (\$)	ON REQUEST
Needle Valve (manual drain)	Consult Factory
Price (\$)	\$881
Auto Drain 115 V / 60 Hz with Timer	4024797
Price (\$)	\$2,603
Vibration Dampening Pads	4034084
Price (\$)	\$292

Price Group 63

- › Standard pressure dew point: -40 °F
- › Optional outlet pressure dew point: -100 °F
- › Vessels and all components are stainless steel
- › Optional pressure approvals: on request
- › Shock and vibration proof systems: on request
- › External low pressure purge attachment: on request
- › Standard electrical power supply: 85 - 265 VAC; 24 Vdc; 50-60 Hz
- › Included pre-filtration grade SX: .01 µm
- › Optional pre-filtration grade FX: 1 µm
- › Included post-filtration grade FX: 1 µm
- › Min. / max. air inlet temperature: 41 °F / 131 °F
- › Min. / max. ambient temperature: 41°F / 122°F

Maintenance Interval: < 8,000 hours
Maintenance and Spare Parts: Page 96
Extended Warranty: Page 158

DRYPOINT® AC HP	AC 440 HP 250	AC 655 HP 250	AC 145 HP 350	AC 190 HP 350	AC 265 HP 350	AC 540 HP 350	AC 820 HP 350
Connection Size	½"	½"	½"	½"	½"	½"	½"
Flow Rate (scfm)	260	385	85	110	155	315	480
Max. Pressure (psig)	3600	3600	5000	5000	5000	5000	5000

Dimensions and Weight

H x W x D (inches)	66 x 31 x 18	70 x 33 x 20	53 x 31 x 18	53 x 31 x 18	66 x 31 x 18	66 x 31 x 18	70 x 33 x 20
Weight (lbs)	620	680	460	485	540	620	680

Price (\$)	ON REQUEST						
-------------------	-------------------	--	--	--	--	--	--

Price Group 61

OPTIONAL EQUIPMENT

Purge Air Heater	Consult Factory
Price (\$)	\$4,757
Shock Proofing	Consult Factory
Price (\$)	ON REQUEST
Needle Valve (manual drain)	Consult Factory
Price (\$)	\$881
Auto Drain 115 V / 60 Hz with Timer	4024797
Price (\$)	\$2,603
Vibration Dampening Pads	4034084
Price (\$)	\$292

Price Group 63

DRYPOINT® X Maintenance

■ for all XCe and XCp series desiccant dryers

Maintenance Interval: 8,000 hours

DRYPOINT® X	XCe/XCp 80	XCe/XCp 100	XCe/XCp 120	XCe/XCp 160	XCe/XCp 200	XCe/XCp 250	XCe/XCp 300	XCe/XCp 400	XCe/XCp 500
Complete Exhaust Silencer	4020833	4020834	4020833 x 2	4020835		4020836	4026420 x 2		4020835 x 2
Price (\$)	\$110	\$126	\$110 ea.	\$236		\$283	\$132 ea.		\$236 ea.

Price Group 63

Replacement Element Pre-Filter (0.1 µm)	4038113		4038149	4038114	4038115	4038150	4038151		
Price (\$)	\$153		\$182	\$233	\$253	\$291	\$346		
Replacement Element Post-Filter (1 µm)	4038106		4038140	4038107	4038108	4038141	4038142		
Price (\$)	\$153		\$182	\$233	\$253	\$291	\$346		

Price Group 86

Float Drain Maintenance Kit	4025536								
Price (\$)	\$103								

Price Group 84

BEKOMAT® 31 Service Unit	4023608								
Price (\$)	\$152								
BEKOMAT® 32 Service Unit	4025061								
Price (\$)	\$180								

Price Group 13

DRYPOINT® X	XCe/XCp 650	XCe/XCp 800	XCp 1000	XCp 1200	XCp 1500	XCp 1900	XCp 2300	XCp 2800
Exhaust Silencer Element	-		4029620 x 8		4029621 x 8			
Price (\$)	-		\$125 ea.		\$164 ea.			
Complete Exhaust Silencer	4020836 x 2		4060228 x 2		4060229 x 2			
Price (\$)	\$283 ea.		\$1,303 ea.		\$1,446 ea.			
Butterfly Valve Disc Seal Kit (*Dryer serial nos. prior to 15858906)	-		4032037 x 4		4032038 x 4		4032039 x 4	
Price (\$)	-		\$77		\$99		\$125	
Butterfly Valve Disc Seal Kit (*Dryer serial nos. from 15858906)	-		4061006 x 4		4061007 x 4		4061008 x 4	
Price (\$)	-		\$88		\$102		\$114	

Price Group 63

Replacement Element Pre-Filter (0.1 µm)	4038116		4038154	4038155	4038156	4038117 x 3		
Price (\$)	\$485		\$547	\$813	\$915	\$1,359		
Replacement Element Post-Filter (1 µm)	4038109		4038145	4038146	4038147	4038110 x 3		
Price (\$)	\$485		\$547	\$813	\$915	\$1,359		

Price Group 86

Float Drain Maintenance Kit	4025536								
Price (\$)	\$103								

Price Group 84

BEKOMAT® 31 Service Unit	4023608								
Price (\$)	\$152								
BEKOMAT® 32 Service Unit	4025061								
Price (\$)	\$180								

Price Group 13

DRYPOINT® X Maintenance

- for all XCe and XCp series desiccant dryers

Maintenance Interval: 16,000 hours

DRYPOINT® X	XCe/XCp 80	XCe/XCp 100	XCe/XCp 120	XCe/XCp 160	XCe/XCp 200	XCe/XCp 250	XCe/XCp 300	XCe/XCp 400	XCe/XCp 500	XCe/XCp 650	XCe/XCp 800
Inlet Valve Actuator	4027892	4027893		4027894	4027895		4027896		4027897		
Price (\$)	\$299	\$322		\$409	\$429		\$800		\$968		
Exhaust Valve	4020800			4020802	4026416			4020804		4020806	
Price (\$)	\$275			\$296	\$384			\$386		\$410	
Exhaust Valve Actuator	4027887			4027888	4027889			4027890		4027891	
Price (\$)	\$186			\$202	\$244			\$311		\$283	
¾" Valve Service Seal Kit	4027898										
Price (\$)	\$19										
1" Valve Service Seal Kit	4027899										
Price (\$)	\$22										
1¼" Valve Service Seal Kit	4027900										
Price (\$)	\$40										
1½" Valve Service Seal Kit	4027901										
Price (\$)	\$47										
2" Valve Service Seal Kit	4027902										
Price (\$)	\$62										
2½" Valve Service Seal Kit	4027903										
Price (\$)	\$144										

Price Group 63

- activated alumina desiccant filling material

Maintenance Interval: 24,000 hours

DRYPOINT® X	XCe/XCp 80	XCe/XCp 100	XCe/XCp 120	XCe/XCp 160	XCe/XCp 200	XCe/XCp 250	XCe/XCp 300	XCe/XCp 400
Order ref. ½" diameter	4027022							
Unit of Measure	lbs.							
Order qty.	132	167		262		384		539
Price (\$)	\$792	\$1,002		\$1,572		\$2,304		\$3,234

Price Group 63

DRYPOINT® X	XCe/XCp 500	XCe/XCp 650	XCe/XCp 800	XCp 1000	XCp 1200	XCp 1500	XCp 1900	XCp 2300	XCp 2800
Order ref. ½" diameter	4027022								
Unit of Measure	lbs.								
Order qty.	715	917	1114	1120	1355	1840	2110	3125	
Price (\$)	\$4,290	\$5,502	\$6,684	\$6,720	\$8,130	\$11,040	\$12,660	\$18,750	

Price Group 63

DRYPOINT® X Spare Parts

- standard replacement components for XCe and XCp series desiccant dryers

DRYPOINT® X	XCe/XCp 80	XCe/XCp 100	XCe/XCp 120	XCe/XCp 160	XCe/XCp 200	XCe/XCp 250	XCe/XCp 300	XCe/XCp 400	XCe/XCp 500	XCe/XCp 650	XCe/XCp 800
Outlet Check Valve	4020820	4020822		4026421		4020821		4020823		4020816	
Price (\$)	\$39	\$49		\$74		\$105		\$147		\$322	
Pressure Relief Safety Valve	4026666			4026667		4026668			4026669		
Price (\$)	\$55			\$80		\$145			\$480		
Complete Dryer Inlet Valve	4020801	4020803		4026417		4020805		4020807		4032458	
Price (\$)	\$297	\$326		\$373		\$428		\$825		\$875	
Complete Dryer Exhaust Valve	4020800			4020802		4026416			4020804		4020806
Price (\$)	\$275			\$296		\$384			\$386		\$410
Purge Flow Control Valve	4020764				4020765			4020766			
Price (\$)	\$104				\$144			\$262			

DRYPOINT® X	XCp 1000	XCp 1200	XCp 1500	XCp 1900	XCp 2300	XCp 2800
Outlet Check Valve	4029374		4029375			4029376
Price (\$)	\$385		\$432			\$599
Pressure Relief Safety Valve	4026669	4026670		4026671		4026672
Price (\$)	\$480	\$589		\$691		\$905
Purge Flow Control Valve	4032820		4032819			4032822
Price (\$)	\$58		\$85			\$113
Complete Exhaust Silencer	4060228 x 2			4060229 x 2		
Price (\$)	\$1,303 ea.			\$1,446 ea.		
Complete Inlet/Purge Butterfly Valve	4059187 x 4		4059189 x 4		4059191 x 4	
Price (\$)	\$438 ea.		\$464 ea.		\$551 ea.	

Price Group 63

Standardized Replacement Parts	Order ref.	Price (\$)
BEKOMINI Controller for All XCe Models	4026540	\$482
BEKOTOUCH Controller for All XCp Models	4052559	\$1,001
BEKOTOUCH Display Screen for All XCp Models	4052560	\$1,452
Complete Solenoid Valve Assembly for XCe/XCp 80-800*	4054522	\$660
Complete Solenoid Valve Assembly for XCp 1000-2800**	4054526	\$1,112
2½" 0-160 psig Pressure Gauge for All XCe Models	4026663	\$28
2½" 0-160 psig Pressure Gauge for All XCp Models	4026664	\$47
Complete Humidity Sensor Assembly for All XCp Models	4027695	\$343
Gauge Clamp for All XCp Models	4026665	\$14
¼" 20-130 psig Filter Regulator Combo for All XCe/XCp Models	4026419	\$126
Filter Element for Filter Regulator Combo	4038241	\$7
Replacement Brass Cone Silencer for All XCe/XCp Models	4026418	\$11
Replacement On/Off Switch for XCp 80-2800	4029399	\$114
Replacement Speed Control for All XCe/XCp Models	4027427	\$32

Always refer to the installation and operating manual supplied with the dryer being serviced

* For Serial Number up to and including 15328807, use order No. 4024046

** For Serial Number up to and including 15328807, use order No. 4029193

Price Group 63

- replacement desiccant filling material

Replacement Activated Alumina (lbs.)		
¼" (other varieties available on request)		
All models and fill weights	4027022	\$6 per lb

Price Group 63

DRYPOINT® XH Maintenance

■ for XHe and XHi series desiccant dryers

Maintenance Interval: 8,000 hours

DRYPOINT® XH	XHe/XHi 100	XHe/XHi 150	XHe/XHi 200	XHe/XHi 250	XHe/XHi 300	XHe/XHi 400	XHe/XHi 500	XHe/Xhi 600
Element, Depress Silencer	4029617							
Price (\$)	\$64							
Replacement Element Pre-Filter (0.01µm)	4038113	4038149	4038114	4038115	4038150	4038151	4038151	4038152
Price (\$)	\$153	\$182	\$233	\$253	\$291	\$346	\$346	\$383
Replacement Element Post-Filter (1µm)	4038106	4038140	4038107	4038108	4038141	4038142	4038142	4038143
Price (\$)	\$153	\$182	\$233	\$253	\$291	\$346	\$346	\$383
Element, FRL Filter	4038241							
Price (\$)	\$7							

DRYPOINT® XH	XHe/XHi 800	XHe/XHi 1000	XHe/XHi 1200	XHe/XHi 1500	XHe/XHi 1800	XHe/XHi 2100	XHe/XHi 2500	XHe/XHi 3200
Element, Depress Silencer	4029617		4029618					
Price (\$)	\$64		\$131					
Replacement Element Pre-Filter (0.01µm)	4028153	4038116	4038154	4038155	4038117 X 2	4038117 X 3	4038117 X 3	4038117 X 4
Price (\$)	\$447	\$485	\$547	\$813	\$453 ea.	\$453 ea.	\$453 ea.	\$453 ea.
Replacement Element Post-Filter (1µm)	4038144	4038109	4038145	4038146	4038110 X 2	4038110 X 3	4038110 X 3	4038110 X 4
Price (\$)	\$447	\$485	\$547	\$813	\$453 ea.	\$453 ea.	\$453 ea.	\$453 ea.
BEKOMAT 31 Service Unit	4023608		-	-	-	-	-	-
Price (\$)	\$152		-	-	-	-	-	-
BEKOMAT 32 Service Unit	-	-	4025061				-	-
Price (\$)	-	-	\$180				-	-
BEKOMAT 33 Service Unit	-	-	-	-	-	-	4023634	
Price (\$)	-	-	-	-	-	-	\$235	
Element, FRL Filter	4038241							
Price (\$)	\$7							

Price Group 63

Maintenance Interval: 24,000 hours

DRYPOINT® XH	XHe/XHi 100	XHe/XHi 150	XHe/XHi 200	XHe/XHi 250	XHe/XHi 300	XHe/XHi 400	XHe/XHi 500	XHe/Xhi 600
Seal Kit, Angle Body Valve, Depress	4027899 x 2							
Price (\$)	\$21 ea.							
Actuator, Angle Body Valve, Depress	4027888 x 2							
Price (\$)	\$222 ea.							
Seal Kit, Angle Body Valve, Inlet/Exhaust	4027899 x 4	4027900 x 4	4027901 x 4			4027902 x 4		4027903 x 4
Price (\$)	\$22 ea.	\$40 ea.	\$47 ea.			\$62 ea.		\$144 ea.

DRYPOINT® XH	XHe/XHi 800	XHe/XHi 1000	XHe/XHi 1200	XHe/XHi 1500	XHe/XHi 1800	XHe/XHi 2100	XHe/XHi 2500	XHe/XHi 3200
Seal Kit, Angle Body Valve, Depress	4027900 x 2			4027901 x 2				
Price (\$)	\$40 ea.			\$47 ea.				
Actuator, Angle Body Valve, Depress	4027889 x 2			4027890 x 2				
Price (\$)	\$244 ea.			\$311 ea.				

Price Group 63

DRYPOINT® XH Spare Parts

■ standard replacement components for XHe and XHi series desiccant dryers

DRYPOINT® XH	XHe/XHi 100	XHe/XHi 150	XHe/XHi 200	XHe/XHi 250	XHe/XHi 300	XHe/XHi 400	XHe/XHi 500	XHe/Xhi 600
Valve, Angle Body w/ Act., Inlet	4020803 x 2	4026417 x 2		4020805 x 2		4020807 x 2		4020809 x 2
Price (\$)	\$326 ea.	\$373 ea.		\$428 ea.		\$825 ea.		\$962 ea.
Valve Angle Body w/ Act., Exhaust	4020802 x 2	4026416 x 2		4020804 x 2		4020806 x 2		4020808 x 2
Price (\$)	\$296 ea.	\$384 ea.		\$386 ea.		\$410 ea.		\$953 ea.
Valve, Outlet Check	4060766 x 2	4060782 x 2		4060767 x 2		4060768 x 2		4060769 x 2
Price (\$)	\$161 ea.	\$255 ea.		\$280 ea.		\$456 ea.		\$773 ea.
Valve, Regen Check				4059131 x 2				4051973 x 2
Price (\$)				\$403 ea.				\$524 ea.
Valve, Pressure Relief Safety				4026668 x 2				
Price (\$)				\$145 ea.				
Valve, Purge Flow Control, manual (XHe only)				4060480				
Price (\$)				\$48				
Valve, Proportional, Purge Flow Control		4060237		4060238		4060239	4060240	4060241
Price (\$)		\$1,221		\$631		\$649	\$679	\$679
Valve, Solenoid				4034567 x 3				
Price (\$)				\$274 ea.				
Blanking Plate				4059186 x 3				
Price (\$)				\$14 ea.				
Vessel Pressure Gauge				4026663 x 2				
Price (\$)				\$28 ea.				
Control Transformer		-				4034834		
Price (\$)		-				\$955		

DRYPOINT® XH	XHe/XHi 800	XHe/XHi 1000	XHe/XHi 1200	XHe/XHi 1500	XHe/XHi 1800	XHe/XHi 2100	XHe/XHi 2500	XHe/XHi 3200
Valve, Outlet Check	4029374 x 2		4029375 x 2			4029376 x 2		4050786 x 2
Price (\$)	\$385 ea.		\$432 ea.			\$599 ea.		\$683 ea.
Valve, Regen Check	4051973 x 2		4051974 x 2			4051975 x 2		4051976 x 2
Price (\$)	\$524 ea.		\$579 ea.			\$683 ea.		\$841 ea.
Valve, Pressure Relief Safety	4026668 x 2		4026669 x 2			4026670 x 2		
Price (\$)	\$145 ea.		\$480 ea.			\$589 ea.		
Valve, Purge Flow Control, manual (XHe only)	4032820		4032819			4041675		
Price (\$)	\$58		\$85			\$1,323		
Valve, Proportional, Purge Flow Control	4060241	4060242	4060243	4060244		4060245		
Price (\$)	\$679	\$679	\$679	\$1,014		\$712		
Valve, Solenoid				4034568 x 2				
Price (\$)				\$179 ea.				
Valve, Solenoid				4034567 x 3				
Price (\$)				\$274 ea.				
Vessel Pressure Gauge				4034195 x 2				
Price (\$)				\$252 ea.				
Control Transformer				4037781				
Price (\$)				\$2,275				

Price Group 63

DRYPOINT® XH Spare Parts

- standard replacement components for XHe and XHi series desiccant dryers

Standardized Replacement Parts	Order ref.	Price (\$)
Solenoid Block Muffler	4037651	\$19
Filter/Regulator	4026419	\$126
BEKOTOUCH 2 PLC	4034816	\$1,263
BEKOTOUCH 2 HMI for XHe	4034812	\$2,224
BEKOTOUCH 2 HMI for XHi	4034813	\$4,204
Fuse, Transformer (3.5A)	4035455	\$42
Fuse, Low Voltage (7A)	4035462	\$43
Power Supply (24VDC)	4034837	\$181
Power Supply (24VAC, Transformer)	4060661	\$118
Power Distribution Block (310A)	4034830	\$251
Receptacle Fuse (SD-US/SC/LA/GY)	4034832	\$36
Receptacle Fuse (2A)	4027880	\$5
Control Relay	4034796	\$87
RTD, Probe Only, Heater Sheath	4060553	\$739
RTD & Thermowell Assy, Heater Outlet	4056353	\$829
RTD, Probe Only, Heater Outlet	4057480	\$744

Always refer to the installation and operating manual supplied with the dryer being serviced

Price Group 63

- activated alumina desiccant filling material

Maintenance Interval: 24,000 hours

DRYPOINT® XH	XHe/XHi 800	XHe/XHi 1000	XHe/XHi 1200	XHe/XHi 1500	XHe/XHi 1800	XHe/XHi 2300	XHe/XHi 2800	XHe/XHi 3300	XHe/XHi 4000	XHe/XHi 5000	XHe/XHi 6000
Order ref. 1/8" dia.	4027022										
Unit of Measure	lbs.										
Order qty.	1260	1570	1890	2370	2840	3640	4390	5175	6260	7820	9380
Price (\$)	\$7,560	\$9,420	\$11,340	\$14,220	\$17,040	\$21,840	\$26,340	\$31,050	\$37,560	\$46,920	\$56,280

Price Group 63

- replacement desiccant filling material

Replacement Activated Alumina (lbs.)		
1/2" (other varieties available on request)		
All models and fill weights	4027022	\$6 per lb

Price Group 63

DRYPOINT® XF Maintenance

- for XFe and XFi series desiccant dryer (R2.0 only)

Maintenance Interval: 8,000 hours

DRYPOINT® XF	XFe/XFi 800	XFe/XFi 1000	XFe/XFi 1200	XFe/XFi 1500	XFe/XFi 1800	XFe/XFi 2300	XFe/XFi 2800	XFe/XFi 3300	XFe/XFi 4000	XFe/XFi 5000	XFe/XFi 6000
Depress Silencer Element	4029615		4029616		4029617			4029618	4029619		
Price (\$)	\$51		\$57		\$64			\$131	\$158		
Pre-filter Element	4038116		4038155		4038117 x 2	4038117 x 3		4038117 x 4		4038117 x 7	
Price (\$)	\$485		\$813		\$453 ea.						
Post-filter Element	4038109		4038146		4038110 x 2	4038110 x 3		4038110 x 4		4038110 x 7	
Price (\$)	\$485		\$813		\$453 ea.						
Element, FRL Filter	4038241										
Price (\$)	\$7										

Price Group 63

Maintenance Interval: 24,000 hours

DRYPOINT® XF	XFe/XFi 800	XFe/XFi 1000	XFe/XFi 1200	XFe/XFi 1500	XFe/XFi 1800	XFe/XFi 2300	XFe/XFi 2800	XFe/XFi 3300	XFe/XFi 4000	XFe/XFi 5000	XFe/XFi 6000
Depress Angle Body Seal Kit	4027898		4027899				4027900		4027901		
Price (\$)	\$19		\$22				\$39		\$47		
Depress Angle Body Actuator	4020800		4027888				4027889		4027890		
Price (\$)	\$275		\$202				\$244		\$311		
Purge Angle Body Valve Seal Kit	4027898		4027899		4027901				4027902		
Price (\$)	\$19		\$22		\$47				\$62		

Price Group 63

- activated alumina desiccant filling material

Maintenance Interval: 24,000 hours

DRYPOINT® XF	XFe/XFi 800	XFe/XFi 1000	XFe/XFi 1200	XFe/XFi 1500	XFe/XFi 1800	XFe/XFi 2300	XFe/XFi 2800	XFe/XFi 3300	XFe/XFi 4000	XFe/XFi 5000	XFe/XFi 6000
Order ref. 1/8" diameter	4027022										
Unit of Measure	lbs.										
Order qty.	1260	1570	1890	2370	2840	3640	4390	5175	6260	7820	9380
Price (\$)	\$7,560	\$9,420	\$11,340	\$14,220	\$17,040	\$21,840	\$26,340	\$31,050	\$37,560	\$46,920	\$56,280

Price Group 63

- replacement desiccant filling material

Replacement Activated Alumina (lbs.) 1/8" (other varieties available on request)		
All models and fill weights	4027022	\$6 per lb

Price Group 63

DRYPOINT® XF Maintenance

- standard replacement components for XFe and XFi series desiccant dryers (R2.0 only)

DRYPOINT® XF	XFe/XFi 800	XFe/XFi 1000	XFe/XFi 1200	XFe/XFi 1500	XFe/XFi 1800	XFe/XFi 2300	XFe/XFi 2800	XFe/XFi 3300	XFe/XFi 4000	XFe/XFi 5000	XFe/XFi 6000
Depress Angle Body Valve	4020800 x 2		4020802 x 2					4026416 x 2	4020804 x 2		
Price (\$)	\$275 ea.		\$296 ea.					\$384 ea.	\$386 ea.		
Outlet Check Valve	4029374 x 2		4029375 x 2		4029376 x 2		4046029 x 2	4034334 x 2			
Price (\$)	\$385 ea.		\$432 ea.		\$599 ea.			\$989 ea.			
Regen Check Valve	4051973 x 2		4051974 x 2		4051975 x 2		4051976 x 2	4051977 x 2			
Price (\$)	\$524 ea.		\$579 ea.		\$683 ea.		\$841 ea.	\$989 ea.			
Pressure Relief Safety Valve	4026668 x 2						4026669 x 2	4026670 x 2			
Price (\$)	\$145 ea.						\$480 ea.	\$589 ea.			
Purge Flow Control Valve	4032820		4032819		4041675			4041676			
Price (\$)	\$58		\$85		\$1,323			\$1,372			
Purge Angle Body Valve	4020800		4020802		4020804			4020806			
Price (\$)	\$275		\$296		\$386			\$410			
Purge Angle Body Valve Actuator	4027887		4027888		4027890			4027891			
Price (\$)	\$185		\$202		\$311			\$283			
Air Dryer Muffler	4020833 x 2			4020834 x 2		4026420 x 2		4020835 x 2	4020836 x 2		
Price (\$)	\$110 ea.			\$126 ea.		\$132 ea.		\$236 ea.	\$283 ea.		

Price Group 63

Standardized Replacement Parts	Order ref.	Price (\$)
Purge Line Pressure Gauge	4026664	\$47
Vessel Pressure Gauge	4034195	\$252
Filter/Regulator	4026419	\$126
Humidity Sensor Muffler (XFi only)	4026418	\$11
Replacement Humidity Sensor (XFi only)	4049291	\$356
Solenoid Block Muffler	4037651	\$19
BEKOTOUCH 2 PLC	4034816	\$1,263
BEKOTOUCH 2 HMI for XFe	4034812	\$2,224
BEKOTOUCH 2 HMI for XFi	4034813	\$4,204

Always refer to the installation and operating manual supplied with the dryer being serviced

Price Group 63

DRYPOINT® ACH Maintenance

■ for all previous generation ACH series desiccant dryers

Maintenance Interval: 8,000 hours

DRYPOINT® ACH	ACH 70	ACH 130	ACH 180	ACH 260	ACH 355	ACH 460	ACH 575	ACH 720	ACH 1010	ACH 1300	ACH 1725	ACH 2350	ACH 3250	ACH 4050
Replacement Element Pre-Filter (.01 µm)	4038112	4038113	4038149	4038114	4038115	4038150	4038151	4038152	4038153	4038116	4038117 x 2	4038117 x 3	4038117 x 4	4038117 x 7
Price (\$)	\$145	\$153	\$182	\$233	\$253	\$291	\$346	\$383	\$447	\$485	\$906	\$1,359	\$1,812	\$3,170
Replacement Element Post-Filter (1 µm)	4038105	4038106	4038140	4038107	4038108	4038141	4038142	4038143	4038144	4038109	4038110 x 2	4038110 x 3	4038110 x 4	4038110 x 7
Price (\$)	\$145	\$153	\$182	\$233	\$253	\$291	\$346	\$383	\$447	\$485	\$906	\$1,359	\$1,812	\$3,170

Price Group 86

Order ref. 1/8" dia. Activated Alumina	4027022													
Order qty.	100	180	250	360	490	640	800	1,000	1,400	1,800	2,400	3,300	4,500	5,600
Price (\$)	\$515	\$927	\$1,287	\$1,853	\$2,522	\$3,293	\$4,116	\$5,145	\$7,203	\$9,261	\$12,348	\$16,979	\$23,153	\$28,812

Price Group 63

DRYPOINT® ACH Spare Parts

■ replacement desiccant filling material

Replacement Activated Alumina (lbs.) 1/8" (other varieties available on request)		
All models and fill weights	4027022	\$6 per lb

Price Group 63

DRYPOINT® ACC Maintenance

■ complete maintenance kits and spare parts

Maintenance Interval: see below

ACC 4 - 35 for all model years and ACC 45 - 105 up to model year 2021

Dryer Model	Annual Maintenance				Maintenance Kit A				Maintenance Kit B			
	with Float Drain		with BEKOMAT®		with Float Drain		with BEKOMAT®		with Float Drain		with BEKOMAT®	
	Order ref.	Price (\$)	Order ref.	Price (\$)	Order ref.	Price (\$)	Order ref.	Price (\$)	Order ref.	Price (\$)	Order ref.	Price (\$)
ACC 4	4048821	\$246	4022723	\$246	4048826	\$484	4023687	\$512	4048843	\$1,466	4023705	\$1,466
ACC 6					4048827	\$567	4023688	\$573	4048844	\$1,543	4023706	\$1,543
ACC 8					4048828	\$597	4023689	\$629	4048845	\$1,603	4023707	\$1,603
ACC 10					4048829	\$726	4023690	\$736	4048846	\$1,733	4023708	\$1,733
ACC 15					4048830	\$886	4023691	\$893	4048847	\$1,892	4023709	\$1,892
ACC 25					4048831	\$993	4023692	\$993	4048848	\$2,000	4023710	\$2,000
ACC 35					4048832	\$1,337	4023693	\$1,337	4048849	\$2,343	4023711	\$2,343
ACC 45	4048822	\$289	4022724	\$289	4048833	\$1,450	4023694	\$1,450	4048850	\$2,899	4023712	\$2,899
ACC 55					4048834	\$1,566	4023695	\$1,566	4048851	\$3,012	4023713	\$3,012
ACC 65					4048835	\$1,755	4023696	\$1,755	4048852	\$3,203	4023714	\$3,203
ACC 85	4048823	\$309	4022725	\$309	4048836	\$1,984	4023697	\$1,984	4048853	\$3,433	4023715	\$3,433
ACC 105					4048837	\$2,442	4023698	\$2,442	4048854	\$3,889	4023716	\$3,889

ACC 46 - 110 for model year 2022 and newer

Dryer Model	Annual Maintenance				Maintenance Kit A				Maintenance Kit B			
	with Float Drain		with BEKOMAT®		with Float Drain		with BEKOMAT®		with Float Drain		with BEKOMAT®	
	Order ref.	Price (\$)	Order ref.	Price (\$)	Order ref.	Price (\$)	Order ref.	Price (\$)	Order ref.	Price (\$)	Order ref.	Price (\$)
ACC 46	4056917	\$408	4056919	\$374	4056951	\$1,995	4056973	\$2,048	4056968	\$3,525	4056978	\$3,536
ACC 56					4056964	\$2,131	4056974	\$2,118	4056969	\$3,741	4056979	\$3,732
ACC 75					4056965	\$2,383	4056975	\$2,326	4056970	\$3,922	4056980	\$3,954
ACC 90	4056918	\$416	4056920	\$455	4056966	\$2,611	4056976	\$2,614	4056971	\$4,103	4056981	\$4,214
ACC 110					4056967	\$3,159	4056977	\$3,202	4056972	\$4,604	4056982	\$4,776

Price Group 69

Annual Maintenance (1-year) Kit includes: pre-filter replacement element and drain service kit.

Maintenance Kit A (2-year) includes: all components in the 1-year kit plus desiccant cartridges, pre-filter replacement element, drain service kit, sealing o-rings with washers and service manual.

Maintenance Kit B (4-year) includes: all components in the 1-year and 2-year kits plus a complete valve service kit and service manual.

NOTE: preventative maintenance is to be performed at intervals of 1-year, 2-years and 4-years or 6,000, 12,000 and 24,000 hours- whichever comes first.

DRYPOINT® ACC	Order ref.	Price (\$)
Valve Service Kit for ACC 4 - 35 - all model years	4022889	\$998
Valve Service Kit for ACC 45 - 175 - up to model year 2021	4022890	\$1,436
Solenoid Valve Kit for ACC 46 - 110 - model year 2022 and newer	4054051	\$1,550
Shuttle Valve Kit for ACC 4 - 35 - all model years	4035867	\$141
Shuttle Valve Kit for ACC 45 - 175 - up to model year 2021	4035868	\$323
Shuttle Valve Kit for ACC 46 - 110 - model year 2022 and newer	4054050	\$323
Silencer for ACC 4 - all model years	4056245	\$177
Silencer for ACC 6 - 35 - all model years	4035863	\$177
Silencer for ACC 45 - 85 - up to model year 2021	4035864	\$389
Silencer for ACC 46 - 90 - model year 2022 and newer	4054049	\$389
Silencer for ACC 105 - 175 - up to model year 2021	4035865	\$582
Silencer for ACC 110 - 180 - model year 2022 and newer	4055292	\$559
Diaphragm Kit Top for ACC 4 - 35 - all model years	4022206	\$198
Diaphragm Kit Bottom for ACC 4 - 35 - all model years	4022208	\$198
Master Seal Kit for ACC 46 - 110 - model year 2022 and newer	4054053	\$190
Controller for ACC 4 - 35 - all model years	4027273	\$1,506
Controller for ACC 45 - 365 - up to model year 2021	4027027	\$2,367
Controller with Valves for ACC 46 - 110 - model year 2022 and newer	4054052	\$2,978

Price Group 69

DRYPOINT® AC HP Maintenance

■ replacement filter elements, maintenance parts, and select spare parts

Maintenance Interval: < 8,000 hours

Filter Housing	CX 25 µm	FX 1 µm	SX .01 µm	A .003 ppm	Price (\$)
HP100S040	4007820	4007822	4007823	4007824	\$333
HP100S045	4007827	4007829	4007830	4007831	\$429
HP100S050	4007835	4007839	4007841	4007843	\$538
HP100S055	4007836	4007840	4007842	4007844	\$632
HP100S075	4007849	4007853	4007855	4007857	\$707
HP100M010	4007850	4007854	4007856	4007858	\$818
HP100M015	4007863	4007867	4007869	4007871	\$900
HP100M020	4007864	4007868	4007870	4007872	\$1,221
HP350S030	4007820	4007822	4007823	4007824	\$333
HP350S040	4007827	4007829	4007830	4007831	\$429
HP350S045	4007835	4007839	4007841	4007843	\$538
HP350S050	4007836	4007840	4007842	4007844	\$632
HP350S075	4007849	4007853	4007855	4007857	\$707
HP350M010	4007850	4007854	4007856	4007858	\$818
HP350M012	4007863	4007867	4007869	4007871	\$900
HP350M015	4007864	4007868	4007870	4007872	\$1,221

Price Group 84

Maintenance Interval: see manual

Maintenance Parts	Installation Location (diagram in manual)	Order ref.	Price (\$)
1" Standard Silencer	X11	4016160	\$438
1" Low-noise Silencer	X11A	4016161	\$230
Safety Valve	S3	4016162	\$95
Water Resistant Desiccant per 2 lbs	-	4016163	\$129
Water Resistant Desiccant per 7 lbs	-	4016164	\$383
Molecular Sieve Desiccant per 2 lbs	-	4016165	\$175
Molecular Sieve Desiccant per 9 lbs	-	4016166	\$691
Sealing Kit (non-return valve)		4022984	\$541

Price Group 63

Select Spare Parts	Installation Location on Diagram in Manual	Order ref.	Price (\$)
Changeover Valve	V1/2	4016144	\$9,736
Pressure Build-up Valve	V3	4016145	\$5,512
Pressure Release Valve	V4	4016146	\$6,045
Complete Valve Set	V1-V4, R1-R4	4016147	\$26,221
Non-return Valve Block	R1-R4	4016149	\$4,948
Non-return Valve	R5	4016148	\$343
Pressure Controller (up to 6,092 psig)	X13	4016150	\$5,691
Second Stage Pressure Reducer	X2	4016151	\$396
Pneumatic Pilot Valves	Y1-Y4	4058176	\$1,934
Needle Valve (manual drain)	H3-H5	4016153	\$445
Pressure Gauge 0-232 psig	PI 1.4	4016154	\$127
Pressure Gauge 0-375 psig	PI 1.3	4016155	\$127
Pressure Gauge 0-4,351 psig	PI 1.1/1.2	4016156	\$127
Pressure Gauge 0-5,800 psig	PI 1.1/1.2	4016157	\$127
Pressure Gauge 0-8,700 psig	PI 1.1/1.2	4016158	\$363
Auto Drain (5,076 psig, 15 V without cable)	-	4024797	\$2,603
Vessel Sieve	X5	4016159	\$445
Adapter for Vessel Ø12mm/116m	-	4024859	\$445
Sealing Kit for ½" Vessel	-	4024858	\$115
Electronic Control Unit 24 VDC	-	XE ACHP 26400	\$3,948
Electronic Control Unit 230 VAC	-	XE ACHP 26405	\$4,677

Price Group 63

Membrane Drying

DRYPOINT® MD

space saving compressed air membrane dryers

- › MDe economy membrane air dryers
- › MDp premium membrane air dryers with integrated pre-filtration
- › FDR filter, membrane air dryer, regulator packages
- › MDi ecoIntelligent membrane air dryers



DRYPOINT® MD Product Selector Chart

product sizing table for MDe, MDp and FDR series membrane air dryers

Inlet Pressure Dew Point (PDP)		Desired Outlet PDP Result Based on Nearest Inlet PDP Parameter			
40 °F	with refrigerant drying	26 °F	0 °F	-30 °F	-40 °F
100 °F	without refrigerant drying	70 °F	35 °F	-4 °F	-20 °F

Model Selector	Flow Rate (scfm)							
	Inlet	Outlet	Inlet	Outlet	Inlet	Outlet	Inlet	Outlet
MDe 2, MDp 2 and FDR 2	2.09	1.92	.98	.81	.64	.47	.58	.42
MDe 4, MDp 4 and FDR 4	4.18	3.83	2.07	1.72	1.44	1.09	1.33	.96
MDe 6, MDp 6 and FDR 6	6.27	5.75	3.10	2.58	2.15	1.63	2.00	1.44
MDe 8, MDp 8 and FDR 8	8.36	7.67	4.13	3.43	2.87	2.17	2.63	1.89
MDe 10, MDp 10 and FDR 10	11.34	10.29	5.70	4.66	4.10	3.05	3.85	2.77
MDe 12, MDp 12 and FDR 12	12.55	11.50	6.20	5.15	4.31	3.26	3.89	2.81
MDe 17, MDp 17 and FDR 17	16.73	15.33	8.25	6.85	5.75	4.35	5.17	3.76
MDe 25 and MDp 25	25.09	23.00	12.41	10.31	8.63	6.53	7.94	5.69
MDe 35 and MDp 35	33.46	30.66	16.53	13.74	11.50	8.70	10.51	7.56
MDe 45 and MDp 45	43.29	39.09	24.24	20.05	17.25	13.06	15.97	11.52
MDe 55 and MDp 55	55.89	50.64	28.92	23.68	20.65	15.40	19.08	13.68
MDe 65 and MDp 65	67.21	60.81	35.49	29.09	25.21	18.81	23.56	16.92
MDe 100 and MDp 100	100.77	91.37	53.26	43.85	37.86	28.46	35.33	25.42
MDe 130 and MDp 130	134.35	121.78	71.00	58.41	50.48	37.90	46.79	33.70

Correction Factors

Operating Pressure (psig)	40	50	60	70	80	90	100	110	120	130	140	150	160	170	180
Correction Factor	0.22	0.32	0.42	0.54	0.68	0.83	1.00	1.13	1.26	1.40	1.55	1.70	1.87	2.03	2.19

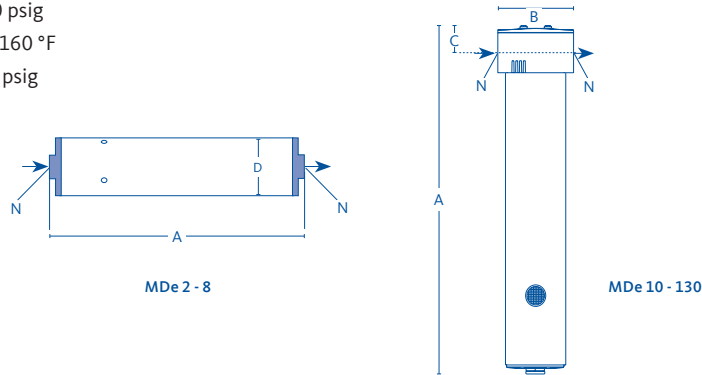
The correction factors on this page provide an estimation of the performance that can be achieved with the model sizes shown. For precise sizing for your application, please contact your BEKO Technologies sales representative.

DRYPOINT® MDe Economy Series Membrane Dryers

standard membrane air dryer with tubular or filter style housing

- › Required pre-filtration: 5 µm (MDe 2-8) or .01 µm (MDe 10-130)
- › Min. ambient air temperature: 34 °F
- › Max. standard operating temperature: 130 °F
- › Max. standard operating pressure: 140 psig
- › Max. optional operating temperature: 160 °F
- › Max. optional operating pressure: 232 psig

Maintenance Interval: 8,000 hours
 Maintenance and Spare Parts: Page 107
 Extended Warranty: Page 158



DRYPOINT® MDe	MDe 2	MDe 4	MDe 6	MDe 8	MDe 10	MDe 12	MDe 17
Connection Size (NPT)	¼"	¼"	¼"	¼"	¾"	¾"	¾"
Inlet Flow Rate (scfm)	2.09	4.18	6.27	8.36	11.34	12.55	16.73
Installation Orientation and Housing Design	Horizontal Tubular Style	Horizontal Tubular Style	Horizontal Tubular Style	Horizontal Tubular Style	Vertical Filter Style	Vertical Filter Style	Vertical Filter Style
Dimensions and Weight							
A x B x C (inches)	5.51	7.48	9.06	11.42	13.34 x 2.95 x 1.10	16.10 x 2.95 x 1.10	18.46 x 2.95 x 1.10
D (inches)	ø1.77	ø1.77	ø1.77	ø1.77	-	-	-
Weight (lbs)	0.60	0.77	0.90	1.08	4.08	4.58	4.97

Order ref.	4041398	4006052	4006071	4006055	4016246	4006056	4041399
Price (\$)	\$720	\$820	\$931	\$1,033	\$1,154	\$1,154	\$1,332
Optional Operating Temperature and Pressure AP	Factory installed option - please add AP suffix to order reference number (Example: 4016246-AP)						
Price (\$)	ON REQUEST						

Price Group 70

REQUIRED PRE-FILTRATION

	KN Series	S040
Pre-Filter 5 µm or .01 µm	4011323 (5 µm)	4002950 (.01 µm)
Price (\$)	\$190	\$252

Price Group 82

DRYPOINT® MDe	MDe 25	MDe 35	MDe 45	MDe 55	MDe 65	MDe 100	MDe 130
Connection Size (NPT)	¾"	¾"	¾"	¾"	1½"	1½"	1½"
Inlet Flow Rate (scfm)	25.09	33.46	43.29	55.89	67.21	100.77	134.35
Installation Orientation and Housing Design	Vertical Filter Style	Vertical Filter Style	Vertical Filter Style	Vertical Filter Style	Vertical Filter Style	Vertical Filter Style	Vertical Filter Style
Dimensions and Weight							
A x B x C (inches)	18.98 x 3.94 x 1.34	20.95 x 3.94 x 1.34	23.70 x 3.94 x 1.34	26.46 x 3.94 x 1.34	23.20 x 5.74 x 1.89	28.30 x 5.74 x 1.89	34.60 x 5.74 x 1.89
D (inches)	-	-	-	-	-	-	-
Weight (lbs)	7.66	8.38	8.99	9.64	17.14	19.56	22.00

Order ref.	4006062	4006065	4006068	4010491	4011371	4011369	4011091
Price (\$)	\$1,576	\$1,760	\$1,956	\$2,096	\$4,126	\$5,545	\$7,279
Optional Operating Temperature and Pressure AP	Factory installed option - please add AP suffix to order reference number (Example: 40xxxxx-AP)						
Price (\$)	ON REQUEST						

Price Group 70

REQUIRED PRE-FILTRATION

	S045	S050	S055	S075	S100
Pre-Filter .01 µm	4020231	4002951	4002952	4002953	4020384
Price (\$)	\$268	\$298	\$351	\$401	\$438

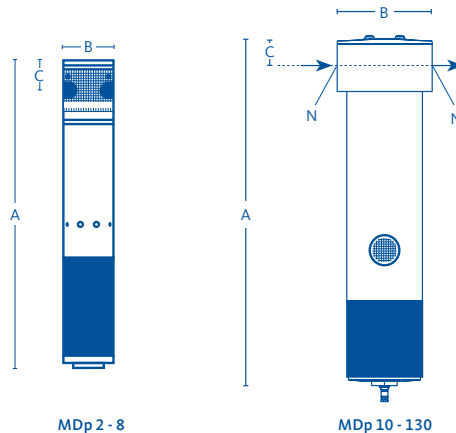
Price Group 82

DRYPOINT® MDp Premium Series Membrane Dryers

membrane air dryer with integrated pre-filter

- › Integrated pre-filtration: .01 µm
- › Recommended pre-filtration: 1 or 5 µm
- › Min. ambient air temperature: 34 °F
- › Max. standard operating temperature: 130 °F
- › Max. standard operating pressure: 140 psig
- › Max. optional operating temperature: 160 °F
- › Max. optional operating pressure: 232 psig

Maintenance Interval: 8,000 hours
 Maintenance and Spare Parts: Page 107
 Extended Warranty: Page 158



DRYPOINT® MDp	MDp 2	MDp 4	MDp 6	MDp 8	MDp 10	MDp 12	MDp 17
Connection Size (NPT)	¼"	¼"	¼"	¼"	¾"	¾"	¾"
Inlet Flow Rate (scfm)	2.09	4.18	6.27	8.36	11.34	12.55	16.73

Dimensions and Weight

A x B x C (inches)	10.43 x 1.81 x 1.06	12.40 x 1.81 x 1.06	13.98 x 1.81 x 1.06	16.34 x 1.81 x 1.06	17 x 2.95 x 1.10	19.76 x 2.95 x 1.10	22.19 x 2.95 x 1.10
Weight (lbs)	1.74	1.92	2.07	2.07	4.13	4.63	5.07

Order ref.	4011794	4011795	4011796	4011797	4041400	4010308	4041401
Price (\$)	\$992	\$1,050	\$1,167	\$1,277	\$1,354	\$1,498	\$1,631
Optional Operating Temperature and Pressure AP	Factory installed option - please add AP suffix to order reference number (Example: 4010308-AP)						
Price (\$)	ON REQUEST						

Price Group 70

OPTIONAL EQUIPMENT

Pre-Filter 1 or 5 µm	4011323 (5 µm)	4002890 (1 µm)
Price (\$)	\$190	\$241

Price Group 82

Remote Purge Air Switch PAS	Factory installed option - please add PAS suffix to order reference number (Example: 4010308-PAS)
Price (\$)	\$772

Price Group 70

DRYPOINT® MDp	MDp 25	MDp 35	MDp 45	MDp 55	MDp 65	MDp 100	MDp 130
Connection Size (NPT)	¾"	¾"	¾"	¾"	1½"	1½"	1½"
Inlet Flow Rate (scfm)	25.09	33.46	43.29	55.89	67.21	100.77	134.35

Dimensions and Weight

A (inches)	22.57 x 3.94 x 1.34	24.59 x 3.94 x 1.34	27.35 x 3.94 x 1.34	29.98 x 3.94 x 1.34	31.30 x 5.74 x 1.89	36.80 x 5.74 x 1.89	42.75 x 5.74 x 1.89
Weight (lbs)	7.72	9.03	9.04	9.75	20.00	22.44	24.86

Order ref.	4009631	4008460	4010490	4041402	4010800	4011370	4011090
Price (\$)	\$1,939	\$2,126	\$2,332	\$2,638	\$4,847	\$6,425	\$8,214
Optional Operating Temperature and Pressure AP	Factory installed option - please add AP suffix to order reference number (Example: 40xxxx-AP)						
Price (\$)	ON REQUEST						

Price Group 70

OPTIONAL EQUIPMENT

Pre-Filter 1 µm	4020220	4002891	4002892	4002893	4020305
Price (\$)	\$268	\$298	\$351	\$401	\$438

Price Group 82

Remote Purge Air Switch PAS	Factory installed option - please add PAS suffix to order reference number (Example: 4010800-PAS)
Price (\$)	\$772

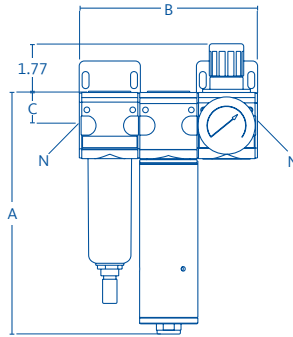
Price Group 70

DRYPOINT® FDR Membrane Dryers

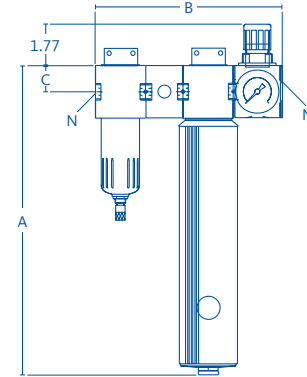
pre-configured filter, dryer and pressure regulator packages

- › Pre-configured FDR packages include all required filtration
- › Custom configurations available to suit application
- › Min. ambient air temperature: 34 °F
- › Max. standard operating temperature: 130 °F
- › Max. standard operating pressure: 140 psig
- › Max. optional operating temperature: 160 °F
- › Max. optional operating pressure: 232 psig

Maintenance Interval: 4,000 - 8,000 hours
 Maintenance and Spare Parts: Page 107
 Extended Warranty: Page 158



FDR 2 - 8



FDR 10 - 17

DRYPOINT® FDR	FDR 2	FDR 4	FDR 6	FDR 8	FDR 10	FDR 12	FDR 17
Connection Size (NPT)	¼"	¼"	¼"	¼"	¼"	¼"	¼"
Inlet Flow Rate (scfm)	2.09	4.18	6.27	8.36	11.34	12.55	16.73

Dimensions and Weight

A x B x C (inches)	7.48 x 5.51 x 1.06	9.44 x 5.51 x 1.06	11.02 x 5.51 x 1.06	13.38 x 5.51 x 1.06	13.38 x 6.88 x 1.06	16.14 x 6.88 x 1.06	18.50 x 6.88 x 1.06
Weight (lbs)	2.97	3.15	3.30	3.50	6.39	6.83	7.27

Order ref.	4032040	4032041	4032042	4032043	4032044	4032045	4032046
Price (\$)	\$1,269	\$1,424	\$1,472	\$1,575	\$1,737	\$1,859	\$2,000
Optional Operating Temperature and Pressure AP	Factory installed option - please add AP suffix to order reference number (Example: 40xxxxx-AP)						
Price (\$)	ON REQUEST						

Price Group 70

DRYPOINT® MDi Product Selector Chart

product sizing table for MDi series membrane air dryers

Inlet Pressure Dew Point (PDP)		Desired Outlet PDP Result Based on Nearest Inlet PDP Parameter			
40 °F	with refrigerant drying	26 °F	0 °F	-30 °F	-40 °F
100 °F	without refrigerant drying	70 °F	35 °F	-4 °F	-20 °F

Model Selector	Flow Rate (scfm)							
	Inlet	Outlet	Inlet	Outlet	Inlet	Outlet	Inlet	Outlet
MDi 12	12.55	11.50	6.20	5.15	4.31	3.26	3.89	2.84
MDi 17	16.73	15.33	8.25	6.85	5.75	4.35	5.14	3.74
MDi 25	25.09	23.00	12.41	10.31	8.63	6.53	7.86	5.76
MDi 35	33.46	30.66	16.53	13.74	11.50	8.70	10.38	7.58
MDi 45	43.01	38.99	23.70	19.68	16.49	12.47	14.52	10.50
MDi 55	52.63	47.90	27.50	22.78	19.38	14.66	16.94	12.22
MDi 65	64.13	58.36	33.11	27.34	23.49	17.72	20.99	15.19
MDi 100	95.84	87.10	50.53	41.79	35.69	26.95	32.09	23.39
MDi 130	128.25	116.72	66.98	55.45	47.40	35.86	43.15	31.65

Flow rate values and performance values are based on having the DRYPOINT® MDi in the constant mode. Outlet pressure dew point settings are user adjustable and will alter the flow rate at the outlet of the membrane dryer based on the adjustment made.

Correction Factors

Operating Pressure (psig)	40	50	60	70	80	90	100	110	120	130	140
Correction Factor	0.22	0.32	0.42	0.54	0.68	0.83	1.00	1.13	1.26	1.40	1.55

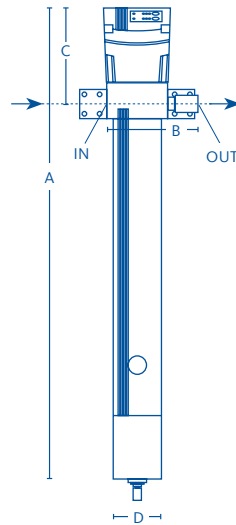
The correction factors on this page provide an estimation of the performance that can be achieved with the model sizes shown. For precise sizing for your application, please contact your BEKO Technologies sales representative.

DRYPOINT® MDi ecoIntelligent Series Membrane Dryers

membrane air dryer with adjustable pressure dew point control

ECO CHOICE

- › Integrated pre-filtration: .01 µm
- › Electrical power required: 115-230 VAC / 50-60 Hz
- › Min. ambient air temperature: 34 °F
- › Max. operating temperature: 122 °F
- › Max. operating pressure: 145 psig



Maintenance Interval: 8,000 hours
 Maintenance and Spare Parts: Page 107
 Extended Warranty: Page 158

DRYPOINT® MDi	MDi 12	MDi 17	MDi 25	MDi 35	MDi 45	MDi 55	MDi 65	MDi 100	MDi 130
Connection Size (NPT)	3/8"	3/8"	3/4"	3/4"	3/4"	3/4"	1"	1"	1"
Inlet Flow Rate (scfm)	12.55	16.73	25.09	33.46	43.01	52.63	64.13	95.84	128.25

Dimensions and Weight

A (inches)	24.44	26.81	27.20	29.17	31.93	34.69	35.87	41.38	47.28
B (inches)	5.90	5.90	7.06	7.06	7.06	7.06	9.84	9.84	9.84
C (inches)	5.67	5.67	5.90	5.90	5.90	5.9	6.46	6.46	6.46
D (inches)	2.36	2.36	3.14	3.14	3.14	3.14	4.92	4.92	4.92
Weight (lbs)	7.50	7.93	10.80	11.46	12.13	12.79	24.03	26.46	28.88

Order ref.	4040184	4040185	4040186	4040187	4040188	4040189	4040190	4040191	4040192
Price (\$)	\$2,274	\$2,401	\$2,732	\$2,928	\$3,129	\$3,319	\$5,893	\$7,427	\$8,857

Price Group 70

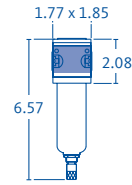
**OPTIONAL
 PRE-FILTRATION**

	S040	S045	S050	S055	S075	S100
Pre-Filter 1 or 5 µm	4002890	4020220	4002891	4002892	4002893	4020305
Price (\$)	\$252	\$268	\$298	\$351	\$401	\$438

Price Group 82

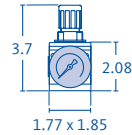
DRYPOINT® MD Accessories

■ for MDe, MDp and FDR series membrane dryers



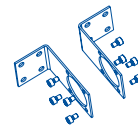
¼" Connection Size (NPT)	with float drain and connection kit 5 µm	with float drain and connection kit .01 µm	with connection kit
	Pre-Filter FD04 (White)	Micro-Filter FD05 (Green)	Activated Carbon Filter FD09
Order ref.	4011323	4005810	4008652
Price (\$)	\$190	\$235	\$186

Price Group 80



	Pressure Regulator with Differential Pressure Gauge Max. 232 psig	Fine Pressure Regulator with Differential Pressure Gauge Max. 232 psig
	Pressure Scale (psig)	44-145 (¼")
Order ref.	4005032	4009194
Price (\$)	\$202	\$236

Price Group 73



	MDe 2-8 Wall Bracket (optional)	MDp 2-8 Wall Bracket (optional)	MDe / MDp 10-17 Wall Bracket (included in box)	MDe / MDp 25-55 Wall Bracket (included in box)	MDe / MDp 65-130 Wall bracket (included in box)
Order ref.	4006735	4008004	4003328	4003329	4003330
Price (\$)	\$61	\$39	\$77	\$88	\$102

Price Group 73

DRYPOINT® MD Maintenance

- filter elements and float drain for MDp and MDi series

Maintenance Interval: < 8,000 hours

Filter Elements	DM08 PLUS Series and MDp 2-8	DM10 PLUS Series and MDp / MDi 10-17	DM20 PLUS Series man. before May 2009	DM20 PLUS Series man. after May 2009 and MDp / MDi 25-55	DM40 PLUS Series and MDp / MDi 65-130
Order ref.	4007467	4007268	4007268	4010849	4009150
Price (\$)	\$84	\$122	\$122	\$153	\$239

Price Group 83

Float Drain		
Order ref.	4025973	4025537
Price (\$)	\$126	\$116

Price Group 84

DRYPOINT® FDR Maintenance

- filter elements and float drain for FDR series

Maintenance Interval: < 8,000 hours

Filter Elements	FKN00-26X5 5 µm Pre-Filter Element (White)	FKN23-35XA .01 µm Micro-Filter Element (Green)	AC Activated Carbon Filter Element
Order ref.	4011325	4004904	4007041
Price (\$)	\$22	\$121	\$112

Price Group 83

Float Drain	
Order ref.	4025973
Price (\$)	\$126

Price Group 84

DRYPOINT® MDi Spare Parts

- replacement control units

Control Units for Model	MDi 12	MDi 17	MDi 25	MDi 35	MDi 45	MDi 55	MDi 65	MDi 100	MDi 130
Order ref.	4040164	4040166	4040167	4040168	4040169	4040170	4040171	4040172	4040173
Price (\$)	\$1,072	\$1,072	\$1,072	\$1,072	\$1,072	\$1,072	\$1,072	\$1,072	\$1,072

Price Group 73



Condensate Drainage

BEKOMAT®

intelligent condensate drainage with true zero air loss

- › Standard Condensate Drains
- › High Pressure Condensate Drains
- › Condensate Drains for Centrifugal Compressors
- › Condensate Drains for Vacuum Systems
- › Condensate Drains for Explosive Atmospheres

BEKOMAT® Product Selector Chart

Compressor HP	Compressor SCFM	After Cooler	Wet Receiver Tank	Pre-Filter	Refrigerant Dryer	Post-Filter	Dry Receiver Tank
20	100	31	31	31	31	31	31
40	180	32	32	31	31	31	31
50	225	32	32	31	32	31	32
60	270	33	33	31	32	31	32
75	338	33	33	31	32	31	32
100	500	33	33	31	32	31	32
125	563	13	13	31	33	31	33
150	675	13	13	31	33	31	33
175	788	13	13	31	33	31	33
200	900	13	13	31	33	31	33
250	1125	13	13	32	13	32	13
300	1300	13	13	32	13	32	13
400	1800	14	14	32	13	32	13
500	2250	14	14	32	13	32	13
750	3375	14	14	33	14	33	14
1000	5000	14	14	33	14	33	14
1250	5625	16	16	13	14	13	14
1500	6750	16	16	13	14	13	14
1750	7875	16	16	13	14	13	14
2000	9000	16	16	13	14	13	14
2500	11250	16	16	13	16	13	16
3000	13500	16	16	13	16	13	16
4000	18000	16	16	14	16	14	16
5000	22500	16	16	14	16	14	16

To use the BEKOMAT® Product Selector Chart, first locate either your compressor horsepower (for multiple compressors use the total system horsepower) or the net flow rate of your compressed air system. Follow the row to the right and locate the column with the appropriate installation point for your application (i.e wet receiver tank) and you will instantly know the correct BEKOMAT® model size for your application and installation point.

For extremely corrosive applications where excessive amounts of rust, scale or particles are present please contact your BEKO representative for special installation instructions.

Product Code Key

oil and oil-free condensate
all standard models

A

special gas application
CO variants

B

highly corrosive applications
stainless steel variants

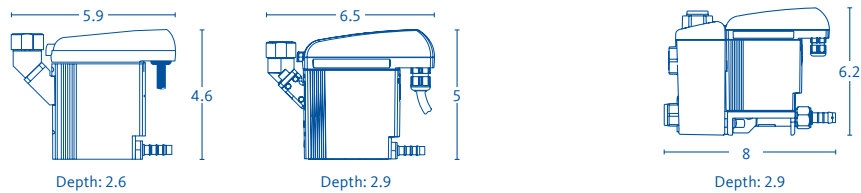
C

BEKOMAT® Standard Condensate Drains

for standard pressure

- › Automatic zero loss drain
- › Standard Viton® diaphragm
- › UL/CSA approved
- › Min. / max. operating temperature: 33 °F / 140 °F
- › Standard voltage:
 - BEKOMAT® 31-33: 95-240 VAC 50/60 Hz /100-125 VDC
 - BEKOMAT® 13-16: 115 VAC
- › Optional voltages:
 - BEKOMAT® 31-33: 18 - 72 VDC, 24 - 48 VAC
 - BEKOMAT® 13-16: 24 VAC/DC, 230 VAC 50/60 Hz

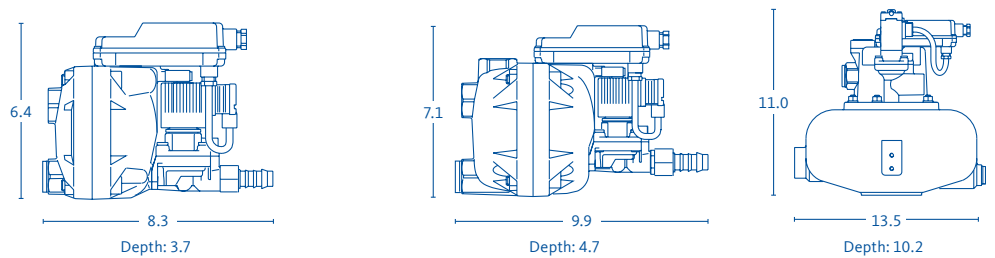
Maintenance Interval: < 8,000 hours
 Maintenance and Spare Parts: Page 123
 Extended Warranty: Page 158



BEKOMAT®	31	32	33	33 CO
Connection (NPT)	1 x 1/2"	1 x 1/2"	3 x 1/2"	3 x 1/2"
Min. / Max. Pressure (psig)	12 / 232	12 / 232	12 / 232	12 / 232
Compressor Flow Rate (scfm)	100	225	500	500
Dryer Flow Rate (scfm)	200	450	1000	1000
Filter Flow Rate (scfm)	1000	2250	5000	5000
Product Key » page 110	A	A	A	A, B

Order ref.	4025098	4025089	4025094	4025096
Price (\$)	\$268	\$364	\$642	\$712

Price Group 12



BEKOMAT®	13	13 CO	14	14 CO	16 CO
Connection (NPT)	2 x 1/2"	2 x 1/2"	3 x 3/4"	3 x 3/4"	2 x 3/4" / 1 x 1"
Min. / Max. Pressure (psig)	12 / 232	12 / 232	12 / 232	12 / 232	12 / 232
Compressor Flow Rate (scfm)	1300	1300	5400	5400	50000
Dryer Flow Rate (scfm)	2600	2600	10800	10800	100000
Filter Flow Rate (scfm)	13000	13000	54000	54000	500000
Product Key » page 110	A	A, B	A	A, B	A, B

Order ref.	2002944	2002957	2002968	2002976	2002983
Price (\$)	\$952	\$1,340	\$1,289	\$1,751	\$2,648

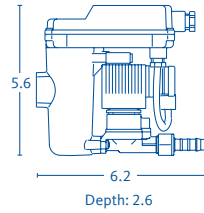
Price Group 10

BEKOMAT® PN Condensate Drains

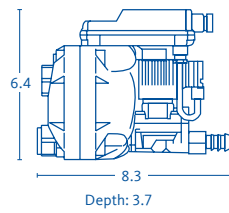
for high pressure systems

- › Automatic zero loss drain
- › Standard Viton® diaphragm
- › Min. / max. operating temperature: 33 °F / 140 °F
- › Standard voltage: 115 VAC
- › Optional voltages:
24 VAC/DC,
230 VAC 50/60 Hz

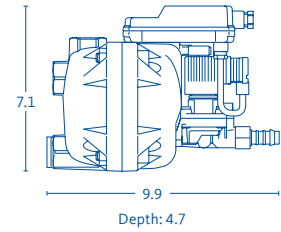
Maintenance Interval: < 8,000 hours
Maintenance and Spare Parts: Page 123
Extended Warranty: Page 158



Aluminum housing
+ hard coating & high pressure



Aluminum housing
+ hard coating & high pressure



Aluminum housing
+ hard coating & high pressure

BEKOMAT®	12 CO PN 63	13 CO PN 50	14 CO PN 25
Connection (NPT)	1 x ½"	2 x ½"	3 x ¾"
Min. / Max. Pressure (psig)	12 / 912	12 / 725	12 / 360
Compressor Flow Rate (scfm)	280	1300	5400
Dryer Flow Rate (scfm)	560	2600	10800
Filter Flow Rate (scfm)	2800	13000	54000
Product Key » page 110	A, B	A, B	A, B
Order ref.	2002931	4006463	4005485
Price (\$)	\$1,300	\$2,142	\$2,718

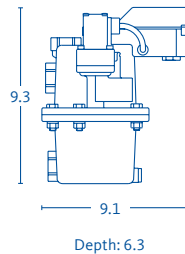
Price Group 10

BEKOMAT® E Condensate Drains

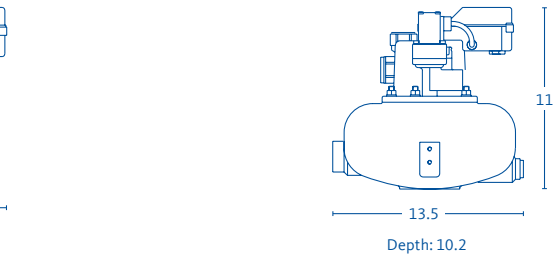
for high pressure systems with stainless steel drain body

- › Automatic zero loss drain
- › Standard Viton® diaphragm
- › Min. / max. operating temperature: 33 °F / 140 °F
- › Standard voltage: 115 VAC
- › Optional voltages:
24 VAC/DC,
230 VAC 50/60 Hz

Maintenance Interval: < 8,000 hours
Maintenance and Spare Parts: Page 123
Extended Warranty: Page 158



Stainless Steel housing
+ high pressure



Stainless Steel housing
+ high pressure

Stainless Steel housing
+ high pressure

BEKOMAT®	3 E 25	3 E 63	6 E 25
Connection (NPT)	3 x ¾"	3 x ¾"	2 x ¾" / 1 x 1"
Min. / Max. Pressure (psig)	12 / 360	12 / 912	12 / 360
Compressor Flow Rate (scfm)	4500	4500	50000
Dryer Flow Rate (scfm)	9000	9000	100000
Filter Flow Rate (scfm)	45000	45000	500000
Product Key » page 110	A, B, C	A, B, C	A, B, C
Order ref.	4020176	2002876	2002890
Price (\$)	\$5,481	\$5,951	\$9,479

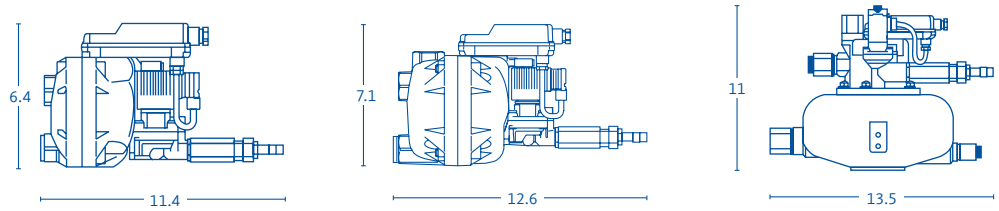
Price Group 11

BEKOMAT® CV Condensate Drains

for centrifugal compressors with check valve

- › Automatic zero loss drain
- › Standard Viton® diaphragm
- › Min. / max. operating temperature: 33 °F / 140 °F
- › Standard voltage: 115 VAC
- › Optional voltages:
24 VAC/DC,
230 VAC 50/60 Hz

Maintenance Interval: < 8,000 hours
Maintenance and Spare Parts: Page 123
Extended Warranty: Page 158



Aluminum housing
+ check-valve set

Aluminum housing
+ check-valve set

Aluminum housing
+ check-valve set & hard coating

BEKOMAT®	13 CV	14 CV	16 CO CV
Connection (NPT)	2 x ½"	3 x ¾"	2 x ¾" / 1 x 1"
Min. / Max. Pressure (psig)	12 / 232	12 / 232	12 / 232
Compressor Flow Rate (scfm)	2000	8000	50000
Dryer Flow Rate (scfm)	4000	16000	100000
Filter Flow Rate (scfm)	20000	80000	500000
Product Key » page 110	A	A	A, B
Order ref.	4015770	4006574	4016313
Price (\$)	\$1,153	\$1,528	\$2,819

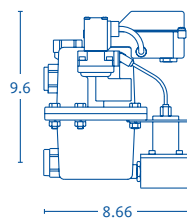
Price Group 10

BEKOMAT® NLV Condensate Drains

for centrifugal compressors with no-load valve

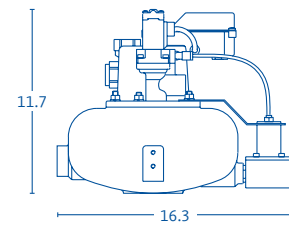
- › Automatic zero loss drain
- › Standard Viton® diaphragm
- › Min. / max. operating temperature: 33 °F / 140 °F
- › Standard voltage: 115 VAC
- › Optional voltages:
24 VAC/DC,
230 VAC 50/60 Hz

Maintenance Interval: < 8,000 hours
Maintenance and Spare Parts: Page 123
Extended Warranty: Page 158



Depth: 6.30

Aluminum housing
+ no load valve & hard coating



Depth: 10.2

Aluminum housing
+ no load valve & hard coating

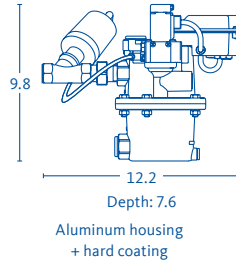
BEKOMAT®	3 CO NLV	6 CO NLV
Connection (NPT)	3 x ¾"	2 x ¾" / 1 x 1"
Min. / Max. Pressure (psig)	0 / 360	0 / 232
Compressor Flow Rate (scfm)	6000	50000
Dryer Flow Rate (scfm)	12000	100000
Filter Flow Rate (scfm)	60000	500000
Product Key » page 110	A, B	A, B
Order ref.	2002883	2002894
Price (\$)	\$2,837	\$3,759

Price Group 10

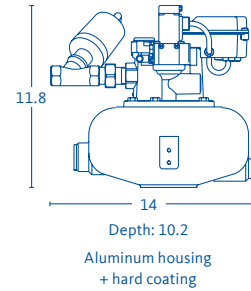
BEKOMAT® V Condensate Drains

for low pressure and vacuum systems with patented technology

- › Automatic zero loss drain
- › Standard Viton® diaphragm
- › Min. / max. operating temperature: 33 °F / 140 °F
- › Standard voltage: 115 VAC
- › Optional voltages:
24 VAC/DC,
230 VAC 50/60 Hz



Maintenance Interval: < 8,000 hours
Maintenance and Spare Parts: Page 123
Extended Warranty: Page 158



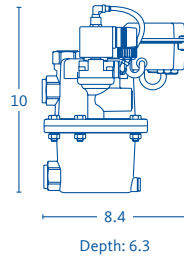
BEKOMAT®	3 CO V	6 CO V
Connection (NPT)	1 x ¾"	1 x ¾"
Min. / Max. Pressure (psia)	1.45 / 26	1.45 / 26
Compressor Flow Rate (scfm)	4500	50000
Dryer Flow Rate (scfm)	9000	100000
Filter Flow Rate (scfm)	45000	500000
Product Key » page 110	A, B	A, B
Order ref.	2002888	4001724
Price (\$)	\$2,978	\$3,917

Price Group 10

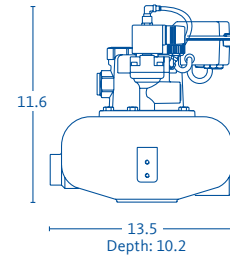
BEKOMAT® EX Condensate Drains

for explosive atmospheres

- › Automatic zero loss drain
- › Standard Viton® diaphragm
- › Min. / max. operating temperature: 33 °F / 140 °F
- › Standard voltage: 12 VDC



Maintenance Interval: < 8,000 hours
Maintenance and Spare Parts: Page 123
Extended Warranty: Page 158



BEKOMAT®	Aluminum housing + hard coating		Stainless Steel housing	
	3 CO EX	3 E EX	6 CO EX	6 E EX
Connection (NPT)	3 x ¾"	3 x ¾"	2 x ¾" / 1 x 1"	2 x ¾" / 1 x 1"
Min. / Max. Pressure (psig)	12 / 232	12 / 232	12 / 232	12 / 232
Compressor Flow Rate (scfm)	4500	4500	50000	50000
Dryer Flow Rate (scfm)	9000	9000	100000	100000
Filter Flow Rate (scfm)	45000	45000	500000	500000
Product Key » page 110	A, B	A, B, C	A, B	A, B, C
Order ref.	4010556	4007950	2002892	4007027
Price (\$)	\$2,978	\$6,888	\$3,917	\$9,461

Price Group 11

Options	Power Supply 12 VDC recommended intrinsic safety	Isolation Amplifier recommended for connection of BEKOMAT® EX with potential free control
Voltage	110-230 VAC	230 VAC
Order Number	4005140	4006591
Price (\$)	\$2,892	\$1,228

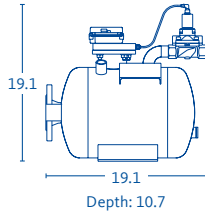
Price Group 14

BEKOMAT® Large Capacity Condensate Drains

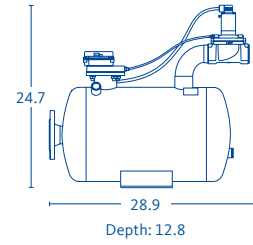
for large capacity compressors

- › Automatic zero loss drain
- › Standard Viton® diaphragm
- › Min. / max. operating temperature: 33 °F / 140 °F
- › Standard voltage: 110 VAC

Maintenance Interval: < 8,000 hours
 Maintenance and Spare Parts: Page 123
 Extended Warranty: Page 158



Stainless steel housing + potential contact



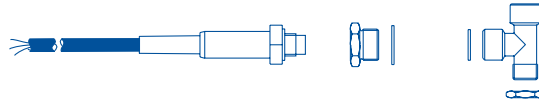
Stainless steel housing + potential contact

BEKOMAT®	8	9
Connection (Flanged)	2"	2"
Min. / Max. Pressure (psig)	7.5 / 143	7.5 / 60
Compressor Flow Rate (scfm)	330500 to 500000	850000 to 1050000
Product Key » page 110	A, B, C	A, B, C
Order ref.	4052971	4052972
Price (\$)	\$29,080	\$33,281

Price Group 11

BEKOMAT® Accessories

- heating units



Operating Voltage	Max. Performance	BEKOMAT® 1x Drains Min. Temperature*	BEKOMAT® 33 Min. Temperature*	Max. Pressure	Pipe Connection
115 VAC	137 W	-10 °F	5 °F	360 psig	NPT or BSP
230 VAC	125 W	-10 °F	5 °F	360 psig	NPT or BSP
24 VAC/VDC	50 W	25 °F	25 °F	360 psig	NPT or BSP

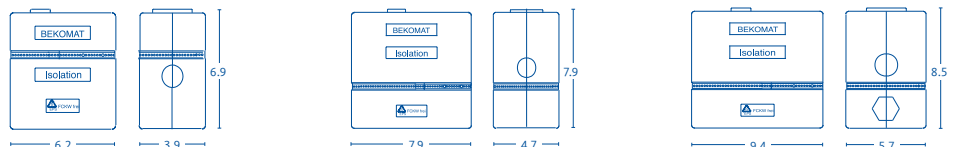
	115 VAC / NPT	115 VAC / BSP	230 VAC / NPT	230 VAC / BSP	24 VAC / VDC / NPT	24 VAC / VDC / BSP
Order ref.	2801246	2801245	2002447	2801244	2002448	2801247
Price (\$)	\$489	\$489	\$489	\$489	\$489	\$489

Price Group 13

*Minimum temperatures shown are only applicable when used in combination with proper insulation. This applies to all model sizes. Insulation shells are available for BEKOMAT® 12, 13 and 14 below. BEKOMAT® 3x series drains and BEKOMAT® 16 models must be insulated on-site according to the application.

Caution! heating units are not to be used with: BEKOMAT® 10, 20 or 21. This also includes high pressure BEKOMAT® models and applications in areas with potentially explosive atmospheres.

- insulation shells

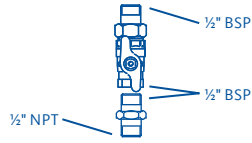


	12 12 CO 12 COPN 63	13 13 CO 13 COPN 25/40/50	14 14 CO 14 COPN 25
Order ref.	2000195	2000033	2000034
Price (\$)	\$62	\$67	\$74

Price Group 13 123

BEKOMAT® Accessories

■ ½" connection kit



Operating Conditions	½" connection kit with ball valve for S040-M032 L100-L304
Max. Pressure (psig)	232
Order ref.	2002228
Price (\$)	\$74

Price Group 84

BEKOMAT® Maintenance

■ annual service kits / wearing parts kits for current generation drains

Maintenance Interval: < 8,000 hours

Drain Model	Order ref.	Price (\$)
BEKOMAT® 31	4023608	\$152
BEKOMAT® 32	4025061	\$180
BEKOMAT® 33	4023634	\$235
BEKOMAT® 33 CO	4023636	\$282

Price Group 12

BEKOMAT® 12	4012942	\$166
BEKOMAT® 12 CO		
BEKOMAT® 12 CO PN 63	2000748	\$174
BEKOMAT® 13	4011612	\$166
BEKOMAT® 13 CO		
BEKOMAT® 13 CO PN 25	2000366	\$174
BEKOMAT® 13 CO PN 40 / 45 / 50		
BEKOMAT® 14	2002300	\$169
BEKOMAT® 14 CO		
BEKOMAT® 14 CO PN 25	2002556	\$177
BEKOMAT® 16 CO	4028261	\$211

Price Group 13

■ annual wearing parts kits for previous generation drains

Maintenance Interval: < 8,000 hours

Drain Model	Order ref.	Price (\$)
BEKOMAT® 10 / 10 F (serial no. 283.450 & newer)	2000451	\$113
BEKOMAT® 11 (serial no. 155.000 & newer)	2800842	\$191
BEKOMAT® 11 CO (serial no. 155.00 & newer)		
BEKOMAT® 20	4003701	\$123
BEKOMAT® 20 FM		
BEKOMAT® 21	2001365	\$110
BEKOMAT® 21 PRO		
BEKOMAT® 3	2800656	\$177
BEKOMAT® 3 CO / CO LA	2800670	\$192
BEKOMAT® 3 E	2800702	\$242
BEKOMAT® 3 E 25		
BEKOMAT® 3 E 63		
BEKOMAT® 6 CO / CO LA	2800656	\$177
BEKOMAT® 6 E 25	2800702	\$242

Price Group 13

BEKOMAT® Spare Parts

■ for current generation drains

	31	32	33	33 CO
Barbed Hose Connector 10 pcs.	2002310	2002310	2001457	2001457
Price (\$)	\$53	\$53	\$65	\$65
Sealing Kit	4024386	4024392	4024397	4024397
Price (\$)	\$38	\$38	\$41	\$41

Price Group 13

	12	12 CO	12 CO PN 63
Barbed Hose Connector 10 pcs.		2002312	
Price (\$)		\$59	
Set of Diaphragms 3 pcs		2000437	
Price (\$)		\$228	
Valve Complete	4027846	4027847	4027848
Price (\$)	\$215	\$255	\$1,016
Valve Attachment Components	2000052	2000053	2000054
Price (\$)	\$65	\$74	\$755
Sealing Kit		2000058	2000749
Price (\$)		\$47	\$49

Price Group 13

	12 CO Ni	12 KW
Sealing Kit		2000058
Price (\$)		\$47

Price Group 13

	13	13 CO	13 CO PN 25	13 CO PN 40 45 50
Barbed Hose Connector 10 pcs.		2001457		-
Price (\$)		\$65		-
Set of Diaphragms 3 pcs		2000439		
Price (\$)		\$311		
Diaphragm Seat		2001118		2000351
Price (\$)		\$80		\$328
Valve Complete	4027849	4027850		4027851
Price (\$)	\$263	\$303		\$1,162
Valve Attachment Components	2000071	2000072		2000371
Price (\$)	\$100	\$102		\$963
Sealing Kit		2000073		2000367
Price (\$)		\$49		\$55
Housing (inlet side)	2000077	2000078		2000369
Price (\$)	\$188	\$622		\$721

Price Group 13

	14	14 CO	14 CO PN 25	16 CO
Barbed Hose Connector 10 pcs.		2001457	-	-
Price (\$)		\$65	-	-
Set of Diaphragms 3 pcs		2000439		
Price (\$)		\$311		
Diaphragm Seat		2001118	2000351	-
Price (\$)		\$80	\$328	-
Valve Complete	4027849	4027850	4027851	2000089
Price (\$)	\$263	\$303	\$1,162	\$360
Valve Attachment Components	2000071	2000072	2000371	2000088
Price (\$)	\$100	\$102	\$963	\$81
Sealing Kit	2000080		4000923	2000090
Price (\$)	\$47		\$55	\$49
Housing (inlet side)	2000084		2000085	2000091
Price (\$)	\$303		\$674	\$820

Price Group 13

BEKOMAT® Spare Parts

■ for current generation drains

	12	12 CO	12 CO PN 63	12 KW
Top Electrical Unit		4010940		
Price (\$)		\$166		
Sensor Control Board		4047971		4047977
Price (\$)		\$441		\$400
Power Supply Board 230 VAC		2000063		
Price (\$)		\$215		
Power Supply Board 200 VAC		2000349		
Price (\$)		\$215		
Power Supply Board 115 VAC		2000064		
Price (\$)		\$215		
Power Supply Board 100 VAC		2000611		
Price (\$)		\$215		
Power Supply Board 24 VAC		2000065		
Price (\$)		\$215		
Power Supply Board 24 VDC		2000756		
Price (\$)		\$215		

Price Group 13

	13	13 CO	13 CO PN 25	13 CO PN 40 45 50
Top Electrical Unit		4010940		
Price (\$)		\$166		
Sensor Control Board		2000079		
Price (\$)		\$441		
Power Supply Board 230 VAC		2000063		
Price (\$)		\$215		
Power Supply Board 200 VAC		2000349		
Price (\$)		\$215		
Power Supply Board 115 VAC		2000064		
Price (\$)		\$215		
Power Supply Board 100 VAC		2000611		
Price (\$)		\$215		
Power Supply Board 24 VAC		2000065		
Price (\$)		\$215		
Power Supply Board 24 VDC		2000756		
Price (\$)		\$215		

Price Group 13

	14	14 CO	14 CO PN 25	16 CO
Top Electrical Unit		4010940		
Price (\$)		\$166		
Sensor Control Board		4047968		2000093
Price (\$)		\$463		\$463
Power Supply Board 230 VAC		2000063		
Price (\$)		\$215		
Power Supply Board 200 VAC		2000349		
Price (\$)		\$215		
Power Supply Board 115 VAC		2000064		
Price (\$)		\$215		
Power Supply Board 100 VAC		2000611		
Price (\$)		\$215		
Power Supply Board 24 VAC		2000065		
Price (\$)		\$215		
Power Supply Board 24 VDC		2000756		
Price (\$)		\$215		

Price Group 13

BEKOMAT® Spare Parts

■ for previous generation and specialty drains

	20	20 FM	21	21 PRO
Set of Diaphragms 5 pcs.	2000496			
Price (\$)	\$156			
Diaphragm Seat	4003700			2001367
Price (\$)	\$92			\$78
Sealing Kit	-			2001366
Price (\$)	-			\$55
Top Electrical Cover	4004301		2001913	2001914
Price (\$)	\$92		\$130	\$130

Price Group 13

	3	3 CO CO LA	3 E	3 E 25	3 E 63
Set of Diaphragms 3 pcs.	2000439				
Price (\$)	\$311				
Sealing Kit	2800658	2800671	2800689		2800703
Price (\$)	\$47	\$46	\$103		\$103
Top Electrical Cover	2800661			2800690	
Price (\$)	\$186			\$186	
Valve Complete	2800708	2800717	2800692		2800717
Price (\$)	\$171	\$215	\$201		\$215
Control Air Cover	2800665	-	-	-	-
Price (\$)	\$63	-	-	-	-

Price Group 13

	6 CO CO LA	6 E 25
Set of Diaphragms 3 pcs.	2000439	
Price (\$)	\$311	
Sealing Kit	2800658	2800703
Price (\$)	\$47	\$103
Top Electrical Cover	2800661	2800690
Price (\$)	\$186	\$186
Valve Complete	2800663	2800717
Price (\$)	\$176	\$204
Control Air Cover	2800665	-
Price (\$)	\$63	-

Price Group 13

	20	20 FM	21	21 PRO
Sensor Control Board	-	4003705	-	2001494
Price (\$)	-	\$362	-	\$285
Power Supply Board 230 VAC	2001488	2001495	2001488	2001495
Price (\$)	\$267	\$162	\$267	\$162
Power Supply Board 200 VAC	4004090	4001277	4004090	4001277
Price (\$)	\$267	\$162	\$267	\$162
Power Supply Board 100 VAC	4001273	4001275	4001273	4001275
Price (\$)	\$267	\$162	\$267	\$162
Power Supply Board 115 VAC	2001489	2001496	2001489	2001496
Price (\$)	\$267	\$162	\$267	\$162
Power Supply Board 24 VAC	2001490	2001497	2001490	2001497
Price (\$)	\$267	\$162	\$267	\$162
Power Supply Board 24 VDC	-	2001498	-	2001498
Price (\$)	-	\$162	-	\$162

Price Group 13

BEKOMAT® Spare Parts

■ for previous generation and specialty drains

	3	3 CO CO LA	3 E	3 E 25	3 E 63
Valve	2800701	2800673	2800693	2800705	2800718
Price (\$)	\$317	\$682	\$909	\$935	\$938
Power Supply Board 230 VAC			2800659		
Price (\$)			\$632		
Power Supply Board 100 VAC			2002200		
Price (\$)			\$714		
Power Supply Board 115 VAC			2800698		
Price (\$)			\$714		
Power Supply Board 24 VAC			2800699		
Price (\$)			\$714		

Price Group 13

	6 CO CO LA	6 E 25
Valve	2800664	2800705
Price (\$)	\$329	\$935
Power Supply Board 230 VAC		2800796
Price (\$)		\$609
Power Supply Board 115 VAC		2800804
Price (\$)		\$694
Power Supply Board 24 VAC		4010781
Price (\$)		\$712
Power Supply Board 24 VDC		2800806
Price (\$)		\$561

Price Group 13



Condensate Processing

QWIK-PURE®

highly efficient and economic condensate separation

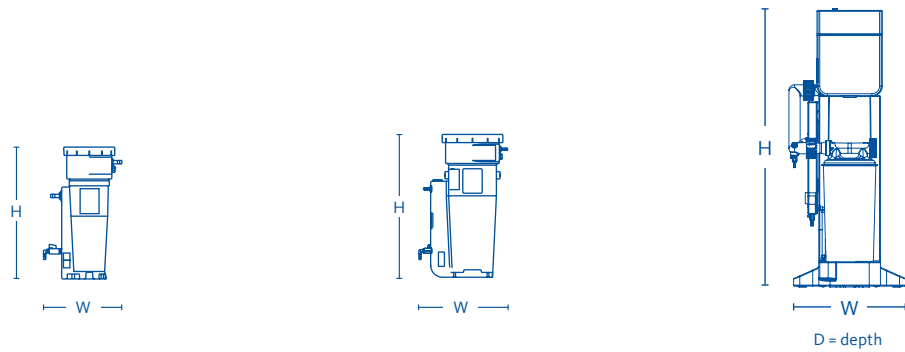
› High Efficiency Oil-Water Separators

QWIK-PURE® CS High-Efficiency Oil-Water Separators

with direct to cartridge filtration

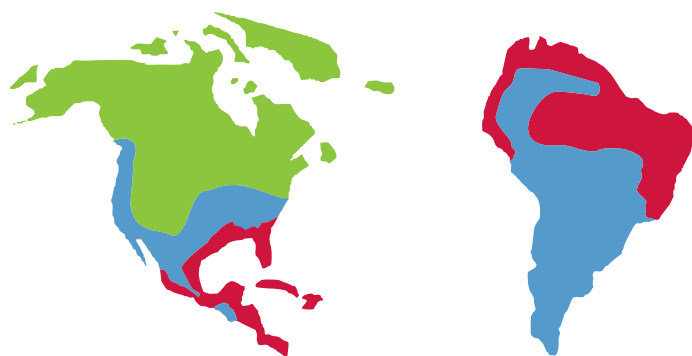
ECO CHOICE

- › Improved filling material that increases performance
- › Works well with all lubricant types
- › Lightweight easy to change cartridge
- › Min. / max. ambient temperature: 41 °F / 122 °F
- › Max. condensate temperature: 122 °F
- › Max. operating pressure: 232 psig



QWIK-PURE® CS	100	200	400
Max. Total Installed System Flow Rate (scfm)	100	200	400
Compatible Lubricants	All lubricant types		
Condensate Inlet	2 x ½"	2 x ½"	3 x ½" 1 x 1"
Number of Cartridges	1	1	1
Voltage (VAC)	-	-	-
Dimensions and Weight			
H x W x D (inches)	21 x 8	23 x 15	58 x 25 x 21
Weight (lbs)	7.7	12.7	29.8
Order ref.	4011732	4012057	4058810
Price (\$)	¥500	¥899	¥1,497

Price Group 26



CLIMATE ZONE	YEARLY AVERAGE	CORRECTION FACTOR
Cool / Mild	66% RH 45°F	1.00
Medium / Arid	68% RH 55°F	.90
Hot / Tropical	72% RH 75°F	.80

FILTER CARTRIDGE LIFE CYCLE*	
1 Shift Operation	9-12 months
2 Shift Operation	7-10 months
3 Shift Operation	5-8 months

*Ranges are approximate

To use the sizing chart, locate the region for your application on the climate zone map above, multiply the Total Installed System Flow Rate value from the table by the climate zone correction factor shown (e.g., QWIK-PURE® iCS 550 is rated for 550 scfm in the green zone, but in the blue zone, the result would be 550 x 0.90 = 495 scfm), then match the result to the total flow rate of all installed compressors in the application. All QWIK-PURE® models work with all lubricant types, so you will instantly know your application's correct QWIK-PURE® model size.

Capacity tests and our long-term experience have enabled us to make locational adjustments to our capacity figures by taking global climate data into account. Regions in the southern United States (i.e San Antonio, TX) are subject to higher temperature and humidity levels throughout the year, which can yield different condensate treatment requirements. Therefore, if you feel that your regional location may have a significant impact on the application or installation, please consult your BEKO Technologies representative for details.

QWIK-PURE® iCS High-Efficiency Oil-Water Separators

with intelligent operation and direct to cartridge filtration

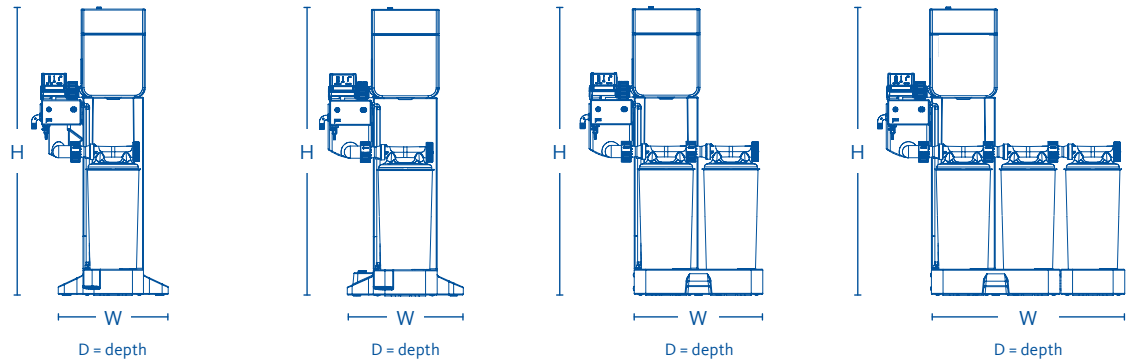
ECO CHOICE

- › Patented, intelligent operation
- › Improved filling material increases performance
- › Works well with all lubricant types
- › Lightweight easy to change cartridge
- › Min. / max. ambient temperature: 41 °F / 122 °F
- › Max. condensate temperature: 122 °F
- › Max. operating pressure: 232 psig

Maintenance Interval: 4,000 - 8,000 hours

Maintenance and Spare Parts: Page 125

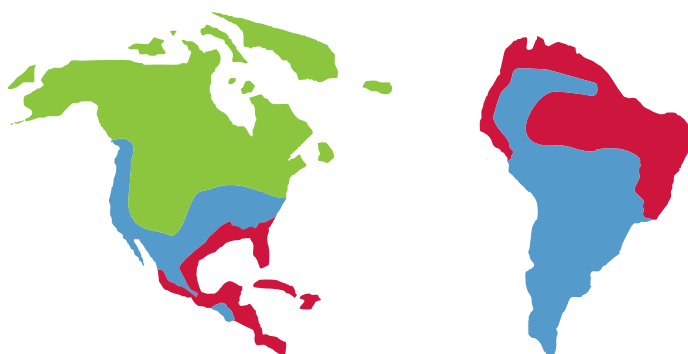
Extended Warranty: Page 158



QWIK-PURE® iCS	550	1100	2200	3300
Max. Total Installed System Flow Rate (scfm)	550	1100	2200	3300
Compatible Lubricants	All lubricant types			
Condensate Inlet	3 x ½" 1 x 1"	3 x ½" 1 x 1"	3 x ½" 1 x 1"	3 x ½" 1 x 1"
Number of Cartridges	1	2	4	6
Voltage (VAC)	90-264 V / 50-60 Hz	90-264 V / 50-60 Hz	90-264 V / 50-60 Hz	90-264 V / 50-60 Hz
Dimensions and Weight				
H x W x D (inches)	58 x 29 x 21	58 x 29 x 31	58 x 37 x 31	58 x 50 x 31
Weight (lbs)	35.3	77.2	99.2	132.3

Order ref.	4058816	4058815	4058817	4058818
Price (\$)	\$2,752	\$3,391	\$4,272	\$5,545

Price Group 26



CLIMATE ZONE	YEARLY AVERAGE	CORRECTION FACTOR
Cool / Mild	66% RH 45°F	1.00
Medium / Arid	68% RH 55°F	.90
Hot / Tropical	72% RH 75°F	.80

FILTER CARTRIDGE LIFE CYCLE*	
1 Shift Operation	9-12 months
2 Shift Operation	7-10 months
3 Shift Operation	5-8 months

*Ranges are approximate

To use the sizing chart, locate the region for your application on the climate zone map above, multiply the Total Installed System Flow Rate value from the table by the climate zone correction factor shown (e.g., QWIK-PURE® iCS 550 is rated for 550 scfm in the green zone, but in the blue zone, the result would be 550 x 0.90 = 495 scfm), then match the result to the total flow rate of all installed compressors in the application. All QWIK-PURE® models work with all lubricant types, so you will instantly know your application's correct QWIK-PURE® model size.

Capacity tests and our long-term experience have enabled us to make locational adjustments to our capacity figures by taking global climate data into account. Regions in the southern United States (i.e San Antonio, TX) are subject to higher temperature and humidity levels throughout the year, which can yield different condensate treatment requirements. Therefore, if you feel that your regional location may have a significant impact on the application or installation, please consult your BEKO Technologies representative for details.

QWIK-PURE® CS/iCS Maintenance and Spare Parts

■ for new generation models

Maintenance

	Order ref.	Price (\$)
Replacement Filter Cartridge for QWIK-PURE CS 100	4010719	\$172
Replacement Filter Cartridge for QWIK-PURE CS 200	4011999	\$287
Replacement Filter Cartridge for QWIK-PURE CS/iCS (models 400 - 3300)	4051809	\$510

Price Group 27

Accessories

Piston Service Unit	4058648	\$80
Valve Service Unit	4058649	\$252
Activated Carbon Mat	4058539	\$23

QWIK-PURE CS 400 spill protection basin 900 mm x 800 mm (35.43 in x 31.5 in)	4047642	\$549
QWIK-PURE iCS 550/QWIK-PURE iCS 1100 spill protection basin 900 mm x 800 mm (35.43 in x 31.5 in)	4047643	\$681
QWIK-PURE iCS 2200 spill protection basin 1100 mm x 900 mm (43.31 in x 35.43 in)	4047644	\$715
QWIK-PURE iCS 3300 spill protection basin 1400 mm x 900 mm (55.12 in x 35.43 in)	4058714	\$1,862
Expansion kit, QWIK-PURE iCS 400 to QWIK-PURE iCS 550	4058650	\$1,788
Expansion kit, QWIK-PURE iCS 550 to QWIK-PURE iCS 1100	4058554	\$1,716
Expansion kit, QWIK-PURE iCS 1100 to QWIK-PURE iCS 2200	4058557	\$2,310
Expansion kit, QWIK-PURE iCS 2200 to QWIK-PURE iCS 3300	4058511	\$3,357
Alarm Sensor	4058541	\$301

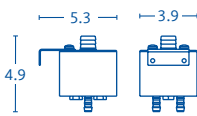
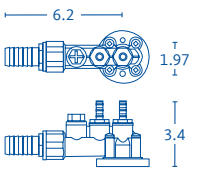

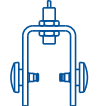
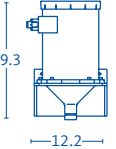
Spare Parts

Expansion module, 1 x 2 filter cartridges, QWIK-PURE iCS 3300	4058546	\$629
Connecting pipe, expansion modules iCS 550 - 3300	4058549	\$145
Locking unit, expansion module	4058553	\$94
Collector 1 x 1 filter cartridge	4058532	\$344
Collector 1 x 2 filter cartridges	4058535	\$502
Collector 2 x 2 filter cartridges	4058528	\$787
Plug for Collector	4058545	\$16
Replacement FRC Controller	4058543	\$1,074
FRC Controller Sealing Kit	4058529	\$38
Lid for Pressure Relief Chamber	4059531	\$139
Pressure relief chamber 25 l (6.6 gal)	4058519	\$430
Measuring Chamber 2.5 L for iCS 550	4058522	\$594
Measuring Chamber 5.0 L for iCS 1100 - 3300	4058515	\$651
Bayonet Insert for iCS 400	4058542	\$16
Clean Water Tank for iCS 400	4058527	\$259
Connecting pipe for iCS 400	4058524	\$130
Condensate Inlet	4058538	\$88
End Cap Cartridge	4058550	\$16
Riser Duct	4058552	\$80
Sealing Set	4058536	\$45
Stand	4058517	\$360
Locking device, foot	4058548	\$16
9' Replacement Power Cable	4056045	\$70
Reference turbidity tube	4001475	\$28
Elbow connector with union nut, reducer fitting and flat gasket	4059172	\$30
Fixing screw	4059164	\$59
Level indicator	4058544	\$23
Pop-up Indicator for CS 200	4011575	\$32

Price Group 28

QWIK-PURE® and ÖWAMAT® Accessories

■ for all previous generation models

		Order ref.	Price (\$)
Flow Splitter Kit for the Parallel Operation of up to Any Four (4) Units		4003998	\$339
Multiple-Inlet Adapter wall mounted, standalone adapter for multiple condensate feed connections into a single unit		4003993	\$148
Oil Collector Set ÖWAMAT® 12 and 14		2801295	\$114
Oil Collector Set ÖWAMAT® 15		4012569	\$114
Oil Collector Set ÖWAMAT® 16		2801302	\$129
Alarm Sensor for Level Indicator QWIK-PURE® 50 and ÖWAMAT® 11		4012448	\$244
Alarm Sensor for Level Indicator QWIK-PURE® 200 and 350, ÖWAMAT® 12-16		4013908	\$270
High Pressure Relief Chamber for up to 580 psig pressure relief chamber is wall mountable and for use with all models		2801292	\$713

Price Group 23

■ heating units



	QWIK-PURE® 200, ÖWAMAT® 14 and 15 (1000 watt)	QWIK-PURE® 350 and ÖWAMAT® 16 (1400 watt)
Voltage (VAC)	115	115
Weight (lb)	2.2	2.5
Order ref.	4001749	4001751
Price (\$)	\$1,124	\$1,327

Price Group 23

QWIK-PURE® and ÖWAMAT® Maintenance

■ previous generation replacement cartridge sets

Maintenance Interval: 4,000 - 8,000 hours

QWIK-PURE® Model	25	50	100	200	350
Pre-Filter (gal)	integrated	integrated	integrated	1 x 4.9	1 x 9.6
Cartridge Capacity (gal)	1 x 1.3	1 x 2.5	1 x 5.2	1 x 5.3	1 x 10.7
Weight (lbs)	1.1	4.4	11.8	13.3	24.5

Order ref.	4010719	4011999	4044056	4010713	4010714
Price (\$)	\$172	\$287	\$704	\$774	\$1,005

Price Group 22

ÖWAMAT® Model	12	14	15	16
Pre-Filter (gal)	1 x 0.7	1 x 1.8	1 x 4.9	1 x 9.6
Cartridge Capacity (gal)	1 x 1.4	1 x 2.8	1 x 5.3	1 x 10.7
Weight (lbs)	4.4	7.4	13.3	24.5

Order ref.	4010711	4010712	4010713	4010714
Price (\$)	\$268	\$424	\$774	\$1,005

Price Group 22

■ replacement filter bag sets for previous generations

Maintenance Interval: 4,000 - 8,000 hours

ÖWAMAT® Model	1 2 and QWIK-PURE® 20	3	4	5	5R	6	8
Filter Set	4027544	4027548	4027550	4027554	4027556	4027557	4027562
Price (\$)	\$172	\$269	\$315	\$581	\$471	\$626	\$1,575

Price Group 22

QWIK-PURE® Spare Parts

■ for previous generation models

	QWIK-PURE® 25	QWIK-PURE® 50	QWIK-PURE® 100	QWIK-PURE® 200	QWIK-PURE® 350
Pressure Relief Chamber	-	-	-	4012142	
Price (\$)	-	-	-	\$312	
Pop-up Indicator	-	4011575	-	4022541	4022540
Price (\$)	-	\$32	-	\$39	\$40
Multiple Inlet Adapter	-	-	4020311		
Price (\$)	-	-	\$73		
Cover Lid	4004290	-	4003753	4012349	4012350
Price (\$)	\$65	-	\$180	\$283	\$345
Container	4012557	4012559	4003741	4012505	4012506
Price (\$)	\$312	\$518	\$351	\$1,479	\$1,796
Handle for Cartridge	-	-	-	4012358	4012359
Price (\$)	-	-	-	\$100	\$108
Universal Sampling Valve Set	4012379		-	4012379	
Price (\$)	\$40		-	\$40	
Mounting Bracket	4004277	4012186	-	-	-
Price (\$)	\$105	\$116	-	-	-
Plastic Sample Vial 20 mg/l	2000556				
Price (\$)	\$28				
Plastic Sample Vial 10 mg/l	4001475				
Price (\$)	\$28				
Lid Screws (set of 3)	-	-	4023627		
Price (\$)	-	-	\$20		

Price Group 23

ÖWAMAT® Spare Parts

■ for previous generation models

	ÖWAMAT® 12	ÖWAMAT® 14	ÖWAMAT® 15	ÖWAMAT® 16
Pressure Relief Chamber	4012139	4012139	4012141	4012141
Price (\$)	\$229	\$229	\$312	\$312
Multiple Inlet Adapter	2002851	2002851	4020311	
Price (\$)	\$65	\$65	\$73	
Pre-Separation Tank serial no. 12438530 & newer	4021012	4021013	4021014	4021015
Price (\$)	\$189	\$229	\$294	\$357
Pre-Separation Tank	4012135	4012136	4012137	4012138
Price (\$)	\$189	\$229	\$294	\$357
Pre-Separation Tank Stand	4012162	4012163	4012164	4012165
Price (\$)	\$120	\$131	\$144	\$162
Cover Lid	4012342	4012343	4012349	4012350
Price (\$)	\$189	\$229	\$283	\$345
Container	4012503	4012504	4012505	4012506
Price (\$)	\$837	\$1,158	\$1,479	\$1,796
Overflow Pipe serial no. 12438530 & newer	4021003		4021005	4021006
Price (\$)	\$81		\$160	\$170
Overflow Pipe	4012564	4012565	4012566	4012567
Price (\$)	\$81	\$105	\$160	\$170
Handle for Cartridge	4012356	4012357	4012358	4012359
Price (\$)	\$78	\$91	\$100	\$108
Universal Sampling Valve Set	4012379			
Price (\$)	\$40			
Plastic Sample Vial 20 mg/l	2000556			
Price (\$)	\$28			
Plastic Sample Vial 10 mg/l	4001475			
Price (\$)	\$28			
Screw Plug Set G1	-	4020988		
Price (\$)	-	\$77		
Sealing Part Set V03 serial no. 12438530 & newer	4022580		4022581	
Price (\$)	\$74		\$100	
Lid Screws (set of 3)	4023627			
Price (\$)	\$20			
Sealing Kit V01 serial no. 11046999 and older	4013859		4013860	
Price (\$)	\$44		\$58	
Sealing Kit V01 serial no. 11047000 to 12438529	4013980		4013981	
Price (\$)	\$77		\$104	

Price Group 23

Replacement Alternative Filter Bag Sets for Oil-water Separators

- for a variety of competitive brands and models

	Order ref.	Price (\$)
Filter Set for Ultrafilter Superplus 5, Quincy QIOW 0005, Gardner Denver GDW5, BOGE Okomat 5 (Vent Filter Sold Separately = ZF3 kit)	2002294	\$137
	4001791 (ZF3)	\$74
Filter Set for Ultrafilter Superplus 10, Quincy QIOW 0010, Gardner Denver GDW10, BOGE Okomat 10 (Vent Filter Sold Separately = ZF3 kit)	2000261	\$182
	4001792 (ZF3)	\$92
Filter Set for Ultrafilter Superplus 15, Quincy QIOW 0015, Gardner Denver GDW15, BOGE Okomat 15 (Vent Filter Sold Separately = ZF3 kit)	2000262	\$259
	4001793 (ZF3)	\$130
Filter Set for Ultrafilter Superplus 30, Quincy QIOW 0030, Gardner Denver GDW30, BOGE Okomat 30 (Vent Filter Sold Separately = ZF3 kit)	2000263	\$429
	4001794 (ZF3)	\$209
Filter Set for Ultrafilter Superplus 60 / 120 / 240, Quincy QIOW 0060 / 0120 / 0240, Gardner Denver GDW60 / 120 / 240, BOGE Okomat 60 / 120 / 240 (120S Requires 2x 2000264, 240S Requires 4x 2000264, Vent Filter Sold Separately = ZF3 kit)	2000264	\$589
	4001795 (ZF3)	\$279
Filter Set for Wortmann drukomat Mini and 1, Hankison HS1, Zander Ecosep 1 and 2	4015018	\$282
Filter Set for Wortmann drukomat 2, 3, 4 and 8, Hankison HS2, 3 and 4, Motivair OSW 2, 3 and 4, Zander Ecosep 3, 4 and 8	2000267	\$282
Filter Set for Wortmann drukomat 15, Hankison HS5, Motivair OSW 5, Zander Ecosep 15	2000269	\$393
Filter Set for Wortmann drukomat 30, Hankison HS6, Motivair OSW 6, Zander Ecosep 30	2000270	\$562
Filter Set for Wortmann drukomat 60, Hankison HS7, Motivair OSW 7, Zander Ecosep 60	2000271	\$1,016
Filter Set for domnick hunter ES 2100, Hi-Ross OWS 001, Zander Ecosep SL1, Comp-Air CS 2100, Ingersoll Rand ECS6, Sullair OS-1	4014218	\$223
Filter Set for domnick hunter ES 2150, Hi-Ross OWS 060, Zander Ecosep SL2, Comp-Air CS 2150, Ingersoll Rand ECS12, Sullair OS-16	4014218	\$223
Filter Set for domnick hunter ES 2200, Hi-Ross OWS 075, Zander Ecosep SL5, Comp-Air CS 2200, Ingersoll Rand ECS18, Sullair OS-20	4014218	\$223
Filter Set for domnick hunter ES 2300, Hi-Ross OWS 125, Zander Ecosep SL8, Comp-Air CS 2300, Ingersoll Rand ECS24, Sullair OS-33	4014234	\$272
Filter Set for domnick hunter ES 2400, Hi-Ross OWS 185, Zander Ecosep SL15, Comp-Air CS 2400, Ingersoll Rand ECS30, Sullair OS-1	4014235	\$456
Filter Set for domnick hunter ES 2500, Hi-Ross OWS 355, Zander Ecosep SL30, Comp-Air CS 2500, Ingersoll Rand ECS36, Sullair OS-16	4014236	\$321
Filter Set for domnick hunter ES 2600, Hi-Ross OWS 485, Zander Ecosep SL60, Comp-Air CS 2600, Ingersoll Rand ECS42, Sullair OS-1	4014237	\$664



Measurement Technology

METPOINT®

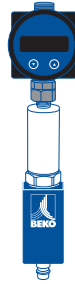
precision instruments for compressed air

- › Dew Point Meters
- › Flow Meters
- › Oil Vapor Measurement
- › Oil Vapor Monitoring Systems
- › Multi-Function Monitoring Systems
- › Portable Instrumentation and Monitoring Systems

METPOINT® DPMc Compact Dew Point Meter

pre-configured stationary compact pressure dew point meter

- › Self-contained pressure dew point sensor and single value display
- › Includes measuring chamber
- › 115-230 VAC / 50-60 Hz / 24 VDC power supply
- › Measurement range: -4 °F to 86 °F



Maintenance Interval: < 8,000 hours
Maintenance and Spare Parts: Page 141
Extended Warranty: Page 158

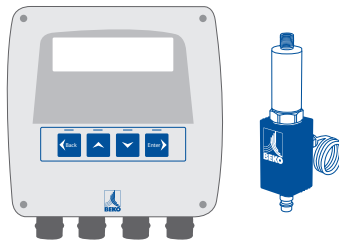
Order ref.	4032656
Price (\$)	\$1,963

Price Group 95

METPOINT® DPMe Economy Dew Point Meter

pre-configured stationary economy pressure dew point meter

- › SD21 dew point sensor with measuring chamber
- › DD081 single value display, wall mountable
- › 115 VAC / 50-60 Hz power supply
- › Connection cable
- › Measurement range: -76 °F to 86 °F
- › 4-20ma output
- › 2 alarm contacts



Maintenance Interval: < 8,000 hours
Maintenance and Spare Parts: Page 141
Extended Warranty: Page 158

Order ref.	4032012
Price (\$)	\$2,629

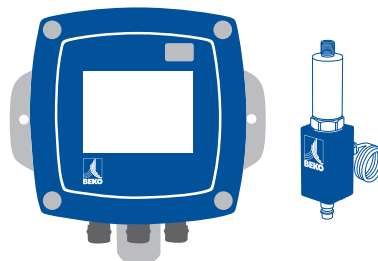
Price Group 95

METPOINT® DPMp Premium Dew Point Meter

pre-configured stationary premium pressure dew point meter



- › SD21 dew point sensor with measuring chamber
- › BDL Compact multi-function display, wall mountable
- › Full data log capabilities
- › 90 to 260 VAC / 50-60 Hz multi-voltage power supply
- › Connection cable
- › Measurement range: -76 °F to 86 °F
- › For custom configurations, see page 131



Maintenance Interval: < 8,000 hours
Maintenance and Spare Parts: Page 141
Extended Warranty: Page 158

Order ref.	4032013
Price (\$)	\$4,065

Price Group 95

OPTIONAL EQUIPMENT

Alarm Light and Siren with Wall Mount	4014684
Price (\$)	\$566
BDL Connect Basic Software (single-user)	4024218
Price (\$)	\$814
Compressed Air Analyzer Plug-in*	4036368
Price (\$)	\$1,447

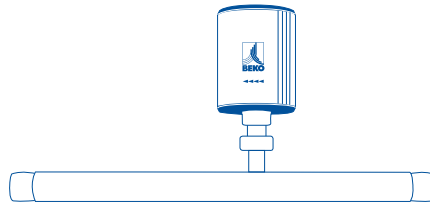
*BDL Connect Software required

Price Group 95

METPOINT® FLMc Compact Flow Meter

stationary compact flow meter

- › SF13 compact flow meter
- › Measuring section with integrated digital display indicating actual flow and total consumption with built-in flow sensor
- › Multi-voltage power supply: 100-240 VAC / 24 VDC / 50-60 Hz



Maintenance Interval: < 8,000 hours
Maintenance and Spare Parts: Page 141
Extended Warranty: Page 158

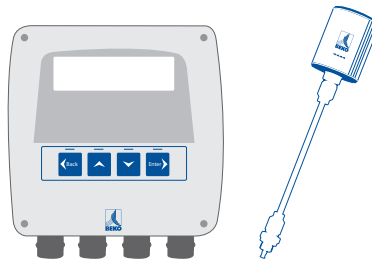
Connection Size (NPT)	½"	¾"	1"	1¼"	1½"	2"
Flow Rate (scfm)	.12-53	.18-100	.29-170	.41-312	.59-430	1.18-703
Order ref.	4038526	4038528	4038529	4038530	4038531	4038532
	Price (\$) \$1,629	\$1,722	\$1,761	\$2,098	\$2,098	\$2,207

Price Group 95

METPOINT® FLMe Economy Flow Meter

pre-configured stationary economy flow meter

- › SF53 maximum speed flow sensor with adjustable probe for up to a 10" pipe
- › DD081 single value display, wall mountable
- › 115 VAC / 50-60 Hz power supply
- › Connection cable
- › 4-20ma output
- › 2 alarm contacts



Maintenance Interval: < 8,000 hours
Maintenance and Spare Parts: Page 141
Extended Warranty: Page 158

Order ref.	4032014
Price (\$)	\$5,044

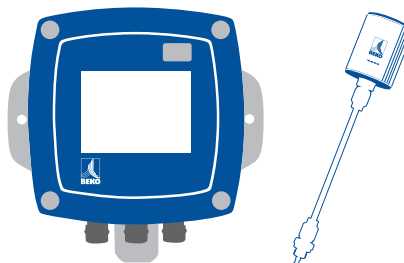
Price Group 95

METPOINT® FLMp Premium Flow Meter

pre-configured stationary premium flow meter



- › SF53 maximum speed flow sensor with adjustable probe for up to a 10" pipe
- › BDL Compact multi-function display, wall mountable
- › Full data log capabilities
- › Multi-voltage power supply: 90 to 260 VAC / 50-60 Hz
- › Connection cable
- › For custom configurations, see page 131



Maintenance Interval: < 8,000 hours
Maintenance and Spare Parts: Page 141
Extended Warranty: Page 158

Order ref.	4032015
Price (\$)	\$6,405

Price Group 95

OPTIONAL EQUIPMENT

Alarm Light and Siren with Wall Mount	4014684
Price (\$)	\$566
BDL Connect Basic Software (single-user)	4024218
Price (\$)	\$814
Compressed Air Analyzer Plug-in*	4036368
Price (\$)	\$1,447

*BDL Connect Software required

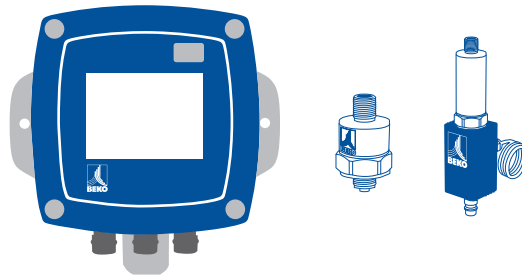
Price Group 95

METPOINT® BDL Compact Multi-Function Monitoring Systems

pre-configured solution for dew point and pressure



- › BDLc 2A multi-function display, wall mountable
- › SD 21 Dew point sensor
- › SP 21 Pressure sensor
- › 30' cables for sensors



Maintenance Interval (sensors): < 8,000 hours

Maintenance and Spare Parts: Page 141

Extended Warranty: Page 158

Order ref.	4048946
Price (\$)	\$4,733

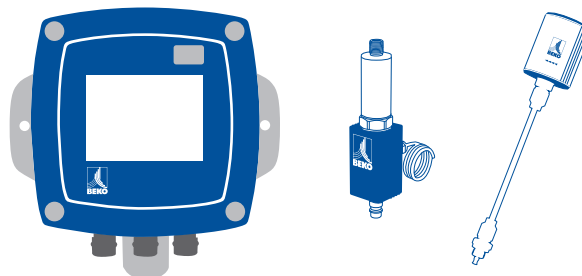
Price Group 95

METPOINT® BDL Compact Multi-Function Monitoring Systems

pre-configured solution for dew point and flow rate



- › BDLc 2D multi-function display, wall mountable
- › SD 23 Dew point sensor
- › SF 53 Flow sensor
- › 30' cables for sensors



Maintenance Interval (sensors): < 8,000 hours

Maintenance and Spare Parts: Page 141

Extended Warranty: Page 158

Order ref.	4048950
Price (\$)	\$8,814

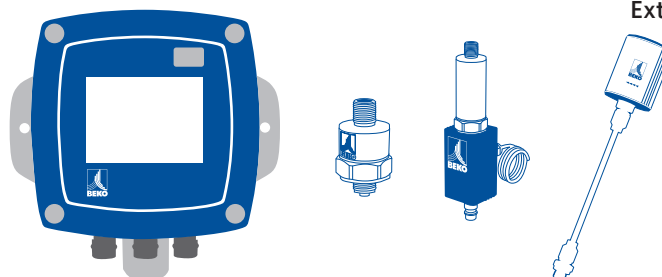
Price Group 95

METPOINT® BDL Compact Multi-Function Monitoring Systems

pre-configured solution for dew point, flow rate, and pressure



- › BDLc 2A2D multi-function display, wall mountable
- › SD 23 Dew point sensor
- › SF 53 Flow Sensor
- › SP 21 Pressure sensor
- › 30' cables for sensors



Maintenance Interval (sensors): < 8,000 hours

Maintenance and Spare Parts: Page 141

Extended Warranty: Page 158

Order ref.	4048952
Price (\$)	\$9,916

Price Group 95

METPOINT® BDL Compact Multi-Function Monitoring Systems

custom configurations for 1–4 sensor connections

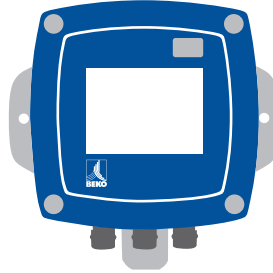


- › Compact, easy to read, touch screen display
- › Expandable and future-proof via expansion modules
- › Full data log capabilities
- › Optional integration and analysis software available
- › Fully assembled and ready to use

Maintenance Interval (sensors): < 8,000 hours

Maintenance and Spare Parts: Page 141

Extended Warranty: Page 158



Custom Configuration Legend

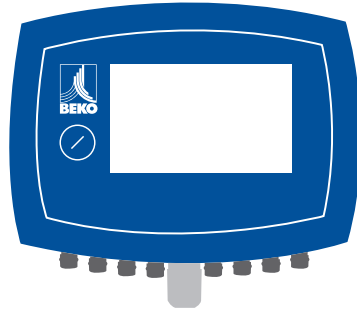
- Required Equipment Selections
- Expansion and Equipment Options

		BDL 2A		BDL 4A		BDL 2A2D		BDL 2D		BDL 4D	
		2 Analog Sensor Configuration		4 Analog Sensor Configuration		2 Analog / 2 Digital Sensor Configuration		2 Digital Sensor Configuration		4 Digital Sensor Configuration	
1	Select Monitor Type	Order ref.	Price (\$)	Order ref.	Price (\$)	Order ref.	Price (\$)	Order ref.	Price (\$)	Order ref.	Price (\$)
	BDL without Ethernet	4029266	\$2,504	4029406	\$3,173	4029278	\$3,173	4029262	\$2,504	4029409	\$3,173
	BDL with Ethernet	4029270	\$3,035	4029315	\$3,705	4029299	\$3,705	4029286	\$3,035	4029311	\$3,705
2	Select Sensors including 30' cable										
	SD21 Dew Point Sensor with Chamber -76 °F	4032333	\$1,736	4032333	\$1,736	4032333	\$1,736	-	-	-	-
	SD23 Dew Point Sensor with Chamber -76 °F	-	-	-	-	4032334	\$1,986	4032334	\$1,986	4032334	\$1,986
	SD41 Dew Point Sensor with Chamber -148 °F	4048188	\$2,789	4048188	\$2,789	4048188	\$2,789	-	-	-	-
	SF53 Flow Sensor up to 10" pipe	4039145	\$4,036	4039145	\$4,036	4039145	\$4,036	4039145	\$4,036	4039145	\$4,036
	SP21 Pressure Sensor: 0 to 360 psig	4024284	\$374	4024284	\$374	4024284	\$374	-	-	-	-
	SP61 Pressure Sensor: 0 to 870 psig	4024286	\$374	4024286	\$374	4024286	\$374	-	-	-	-
	TS109 Temperature Sensor	4044639	\$691	4044639	\$691	4044639	\$691	-	-	-	-
	AS109 Ampmeter with 5m cable	4014731	\$1,089	4014731	\$1,089	4014731	\$1,089	-	-	-	-
	METPOINT® OCV Compact	4040025	\$13,386	4040025	\$13,386	4040025	\$13,386				
3	Optional Software										
	BDL Connect Basic (single-user license)	4024218	\$814	4024218	\$814	4024218	\$814	4024218	\$814	4024218	\$814
4	Options										
	Alarm Light and Siren with Wall Mount	4014684	\$566	4014684	\$566	4014684	\$566	4014684	\$566	4014684	\$566
	Webserver	4027872	\$680	4027872	\$680	4027872	\$680	4027872	\$680	4027872	\$680
	Virtual Channels - Math Function	4027873	\$409	4027873	\$409	4027873	\$409	4027873	\$409	4027873	\$409

METPOINT® BDL XL Multi-Function Monitoring Systems

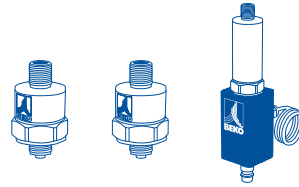
pre-configured solution for dew point and pressure

- › BDL XL4 multi-function display, wall mountable
- › SD 23 Dew point sensor
- › 2 x SP 21 Pressure sensors
- › BDL connect basic software (Single user)
- › 30' cables for sensors



Maintenance Interval (sensors): < 8,000 hours

Maintenance and Spare Parts: Page 141



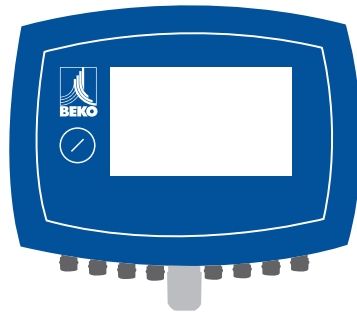
Order ref.	4048954
Price (\$)	\$7,688

Price Group 95

METPOINT® BDL XL Multi-Function Monitoring Systems

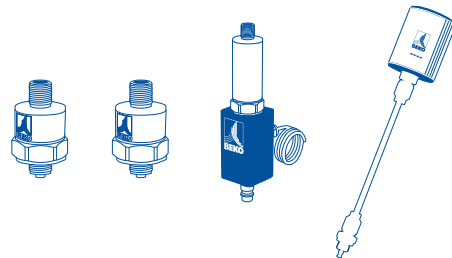
pre-configured solution for dew point, flow rate, and pressure

- › BDL XL4 multi-function display, wall mountable
- › SD 23 Dew point sensor
- › SF 53 Flow sensor
- › 2 x SP 21 Pressure sensors
- › BDL connect basic software (single user)
- › 30' cables for sensors



Maintenance Interval (sensors): < 8,000 hours

Maintenance and Spare Parts: Page 141



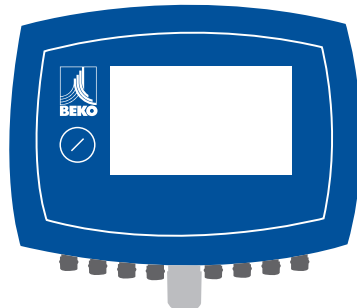
Order ref.	4048955
Price (\$)	\$12,582

Price Group 95

METPOINT® BDL XL Multi-Function Monitoring Systems

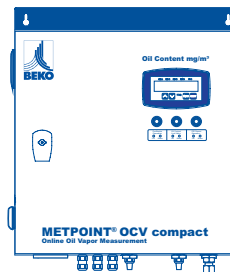
pre-configured solution for oil vapor measurement

- › BDL XL4 multi-function display, wall mountable
- › OCV Compact
- › BDL connect basic software (single user)
- › 30' cable for sensor



Maintenance Interval (sensors): < 8,000 hours

Maintenance and Spare Parts: Page 141



Order ref.	4048958
Price (\$)	\$18,851

Price Group 95

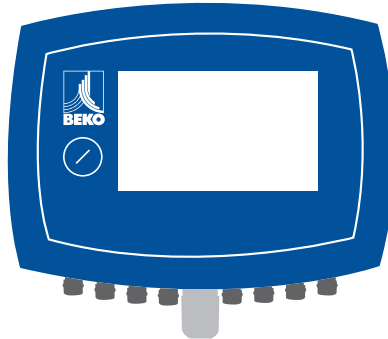
METPOINT® BDL XL Multi-Function Monitoring Systems

custom configurations for up to 12 sensor connections with a single display

- › Extra large, easy to read, touch screen display
- › Full data log capabilities
- › Sensor ports work with both analog and digital sensors
- › Easy integration with existing systems
- › Network ready
- › Optional integration and analysis software available

Maintenance Interval (sensors): < 8,000 hours

Maintenance and Spare Parts: Page 141



Custom Configuration Legend

- Required Equipment Selections
- Equipment Options

	BDL XL4		BDL XL8		BDL XL12	
	4-Port Multi-use Sensor Configuration		8-Port Multi-use Sensor Configuration		12-Port Multi-use Sensor Configuration	
1 Select Monitor Type	Order ref.	Price (\$)	Order ref.	Price (\$)	Order ref.	Price (\$)
BDL XL with Ethernet	4055589	\$4,477	4055590	\$5,366	4055591	\$6,369
2 Select Sensors including 30' cable						
SD21 Dew Point Sensor with Chamber -76 °F	4032333	\$1,736	4032333	\$1,736	4032333	\$1,736
SD23 Dew Point Sensor with Chamber -76 °F	4032334	\$1,986	4032334	\$1,986	4032334	\$1,986
SD41 Dew Point Sensor with Chamber -148 °F	4048188	\$2,789	4048188	\$2,789	4048188	\$2,789
SF53 Flow Sensor up to 10" pipe	4039145	\$4,036	4039145	\$4,036	4039145	\$4,036
SP21 Pressure Sensor: 0 to 360 psig	4024284	\$374	4024284	\$374	4024284	\$374
SP61 Pressure Sensor: 0 to 870 psig	4024286	\$374	4024286	\$374	4024286	\$374
TS109 Temperature Sensor	4044639	\$691	4044639	\$691	4044639	\$691
AS109 Ampmeter with 5m cable	4014731	\$1,089	4014731	\$1,089	4014731	\$1,089
METPOINT® OCV Compact	4040025	\$13,386	4040025	\$13,386	4040025	\$13,386
3 Optional Software						
BDL Connect Basic (single-user license)	4024218	\$814	4024218	\$814	4024218	\$814
4 Options						
Alarm Light and Siren with Wall Mount	4014684	\$566	4014684	\$566	4014684	\$566
Webserver	4024291	\$654	4024291	\$654	4024291	\$654
Quick Measurement	4024295	\$359	4024295	\$359	4024295	\$359
Virtual Channels - Math Function	4027873	\$409	4027873	\$409	4027873	\$409

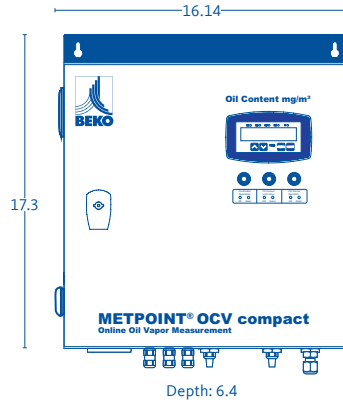
METPOINT® OCV Compact Oil Vapor Monitoring Systems

inline oil vapor measurement device with integrated display



- › Measurement range:
≤ .01 - 2.50 mg/m³ residual oil vapor content
- › Power supply: 100-240 VAC / 50-60 Hz
- › Connection: 1/8" internal thread
- › Outputs: 4-20 mA analog, RS-485, MODBUS RTU
- › Min. / max. operating temperature: 41 °F / 113 °F
- › Min. / max. operating pressure: 44 / 232 psig

Maintenance Interval: < 8,000 hours
 Maintenance and Spare Parts: Page 141
 Extended Warranty: Page 158



STANDARD PRESSURE

METPOINT® OCV Compact with 4-20 mA Output	4040025
Price (\$)	\$13,386

Price Group 96

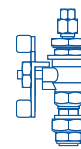
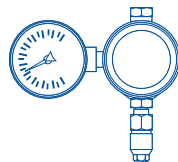
OPTIONAL EQUIPMENT

High Pressure Adapter Kits for Systems up to 580 psig	Consult Factory
Price (\$)	ON REQUEST
Installation Kit	Consult Factory
Price (\$)	ON REQUEST

Price Group 96

METPOINT® OCV Compact Accessories

- for use with 580 psig applications



	Pressure Reducer	Ball Valve
Order ref.	4014084	4014394
Price (\$)	\$1,932	\$730

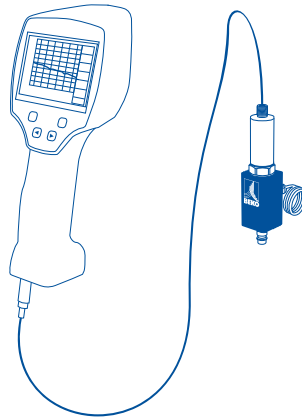
Price Group 96

METPOINT® DPM Portable

portable dew point measurement instrument

Includes:

- › Handheld display with integrated SD23 PDP sensor
- › Integrated data log
- › Measurement range:
 - Pressure Dew Point -76 °F to 86 °F
 - Temperature: -22 °F to 158 °F
 - Relative Humidity: 0-95%
- › 11.3% RH control and calibration set
- › Connection cable
- › Carrying case



Maintenance Interval (sensor): < 8,000 hours

Maintenance and Spare Parts: Page 141

Extended Warranty: Page 158

Order ref.	4031162
Price (\$)	\$5,133

Price Group 95

OPTIONAL EQUIPMENT

BDL Connect Basic (single-user)	4024218
Price (\$)	\$814

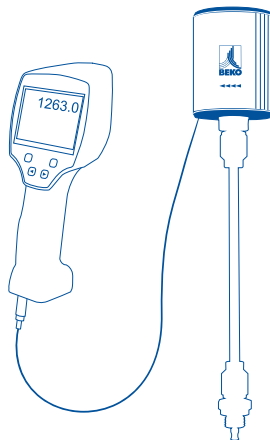
Price Group 95

METPOINT® FLM Portable

portable flow rate measurement instrument

Includes:

- › Handheld display prepared for SF53 flow sensor
- › Integrated data log
- › Adjustable probe up to 10" pipe
- › Connection cable
- › Carrying case



Maintenance Interval (sensor): < 8,000 hours

Maintenance and Spare Parts: Page 141

Extended Warranty: Page 158

Order ref.	4032016
Price (\$)	\$7,255

Price Group 95

OPTIONAL EQUIPMENT

BDL Connect Basic (single-user)	4024218
Price (\$)	\$814

Price Group 95

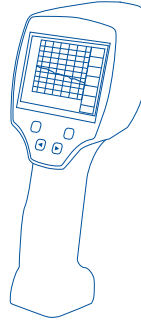
METPOINT® PRO Portable

portable multi-function compressed air monitoring device

Includes:

- › Intelligent handheld device prepared for a variety of sensor attachments
- › Integrated data log
- › 100 to 240 VAC multi-voltage power supply
- › Integrated data logger

No maintenance required
Extended Warranty: Page 158



Compatible sensors (sold separately):

- › SD21, SD23, and SD41 pressure dew point sensors
- › SP21 and SP61 pressure sensors
- › SF53 or SF13 flow sensor
- › And many more
- › See page 127 for all available sensors

Order ref.	4028336
Price (\$)	\$2,522

Price Group 95

OPTIONAL EQUIPMENT

BDL Connect Basic (single-user)	4024218
Price (\$)	\$814

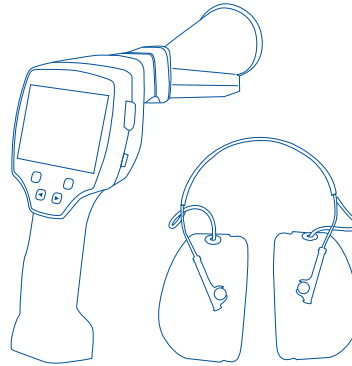
Price Group 95

METPOINT® CID

portable compressed air leak detection instrument

- › Headphones and spiral cable
- › Sound funnel and straightening tip attachment (exchangeable)
- › Holster with shoulder strap
- › Charger
- › Leak Tag (notepad)
- › Evaluation PC software "Leak Management Software"
- › Rugged carrying case

No maintenance required
Extended Warranty: Page 158

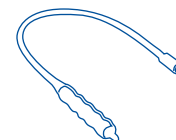
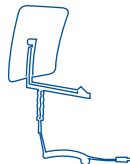


Order ref.	4060062
Price (\$)	\$8,820

Price Group 95

METPOINT® CID Accessories

- microphones optimized for special listening conditions



	Parabolic Microphone	Gooseneck Microphone
Order ref.	4055749	4055747
Price (\$)	\$2,974	\$885

Price Group 96

METPOINT® Maintenance

■ calibration and rental services

Maintenance Interval: < 8,000 hours

DEW POINT SENSORS

DPM Annual Calibration for SD11 Sensor	4032067
Price (\$)	\$377
DPM Pre-calibration Readings for SD21 Sensor	4059602
Price (\$)	\$235
DPM Annual Calibration for SD21 Sensor	4032069
Price (\$)	\$366
DPM Pre-calibration Readings for SD23 Sensor	4059603
Price (\$)	\$235
DPM Annual Calibration for SD23 Sensor	4032071
Price (\$)	\$366
DPM Annual Calibration for DP109 Sensor	4027629
Price (\$)	\$366
DPM Annual Calibration for SD31 Sensor	4048621
Price (\$)	\$726
DPM Annual Calibration for DP207 Sensor	4027631
Price (\$)	\$366
DPM Annual Calibration for SD41 Sensor	4048612
Price (\$)	\$1,516

Price Group 96

DPM SD21 Sensor Rental During Calibration / per week	4048616
Price (\$)	\$122
DPM SD23 Sensor Rental During Calibration / per week	4048615
Price (\$)	\$122
DPM SD41 Sensor Rental During Calibration / per week	4049012
Price (\$)	\$244

Price Group 96

PRESSURE SENSORS

PRM Annual Calibration for SP11, SP21, SP23 Pressure Sensors	4034020
Price (\$)	\$336

Price Group 96

FLOW SENSORS

FLM Annual Calibration for SF13, SF53 Flow Sensors	4036453
Price (\$)	\$1,204
FLM Annual Calibration for FS109 Flow Sensor	4013058
Price (\$)	\$1,000

Price Group 96

FLM SF53 Sensor Rental During Calibration / per week	4048617
Price (\$)	\$223

Price Group 96

OCV SENSORS

OCV Annual Calibration	4025003
Price (\$)	\$3,420
OCV Compact Annual Calibration	4040662
Price (\$)	\$3,643

Price Group 96

OCV Sensor Rental During Calibration / per week	4048618
Price (\$)	\$376
OCV Compact Sensor Rental During Calibration / per week	4048619
Price (\$)	\$376

Price Group 96

PARTICLE COUNTER

PC400 Particle Counter Annual Calibration	4040408
Price (\$)	\$3,648

Price Group 96

METPOINT® Spare Parts

■ replacement displays

	Order ref.	Price (\$)
Replacement BDL 2A without Ethernet	4029266	\$2,504
Replacement BDL 2A with Ethernet	4029270	\$3,035
Replacement BDL 4A without Ethernet	4029406	\$3,173
Replacement BDL 4A with Ethernet	4029315	\$3,705
Replacement BDL 2D2A without Ethernet	4029278	\$3,173
Replacement BDL 2D2A with Ethernet	4029299	\$3,705
Replacement BDL 2D without Ethernet	4029262	\$2,504
Replacement BDL 2D with Ethernet	4029286	\$3,035
Replacement BDL 4D without Ethernet	4029409	\$3,173
Replacement BDL 4D with Ethernet	4029311	\$3,705

Price Group 95

METPOINT® Spare Parts

■ replacement sensors and sensor parts

	Order ref.	Price (\$)
SD21 Pressure Dew Point Sensor without Chamber -76° F	4024282	\$1,218
SD23 Pressure Dew Point Sensor without Chamber -76° F	4024283	\$1,412
SD41 Pressure Dew Point Sensor without Chamber -148 °F	4051577	\$2,532
Bonded Sealing Washer for Dew Point Sensors	4027443	\$40
SF53 Flow Sensor: 185.0 m/s with 8.66" Standard Probe Length	4039145	\$4,036
SF53 Flow Sensor: 185.0 m/s with 15.75" Standard Probe Length	4039146	\$4,325
SP21 mA Pressure Sensor: 0 to 360 psig	4024284	\$374
SP61 mA Pressure Sensor: 0 to 870 psig	4024286	\$374
TS109 Temperature Sensor	4044639	\$691
AS109 Ampmeter with 15' Cable	4014731	\$1,089
Standard Cable for Handheld Displays: SF Sensor Cable 15'	4039570	\$85
Standard Cable for Handheld Displays: Open End	4028338	\$258
Measurement Chamber	4029196	\$340
OCV Replacement Probe 2" to 3" pipes	4013237	\$735
OCV 4 - 20 mA Cable Plug with M16 Connection	4014143	\$95

Price Group 95

METPOINT® Spare Parts

■ replacement cables

	15' Cables		30' Cables		80' Cables	
Sensors SP21, SP11, SP61 and SD21	4025252	\$48	4034219	\$60	4034220	\$114
Sensors SF13 and SF53	4014064	\$62	4014065	\$80	4020081	\$147
Sensor SD23	4025253	\$116	4033570	\$209	4033571	\$261
Sensor OCV Compact (open ended cable)	4017332	\$98	4017333	\$171	4048189	\$316



Advanced Catalytic Systems

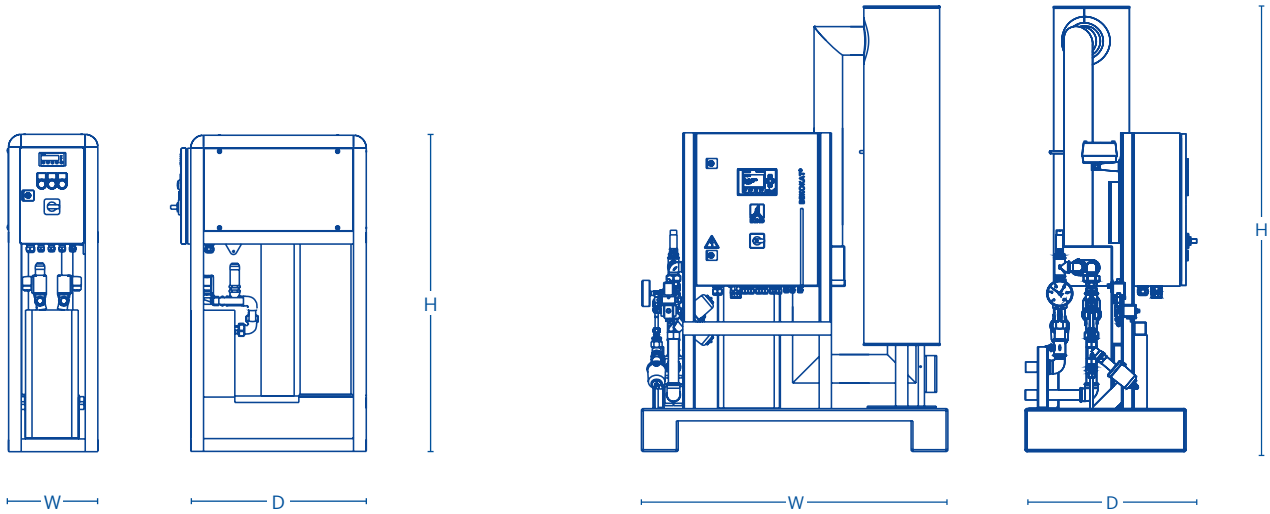
BEKOKAT®

for oil-free and germ-free compressed air

› Complete Catalytic Conversion Systems

BEKOKAT® Catalytic Conversion Systems

complete oil and bacteria removal systems for compressed air



BEKOKAT®	iCC 010	iCC 035	iCC 070
Flow Rate (scfm)	10	35	70
Pipe Size (NPT)	1/2"	1"	1"
Voltage (VAC)	230 V / 1 Ph	230 V / 1 Ph	230 V / 1 Ph
Installed power (kW)	0.58	1.00	1.64
Average Power (kW)	0.20	0.52	0.86
Dimensions and Weight			
H x W x D (inches)	39 x 11 x 24	57 x 40 x 22	60 x 40 x 22
Weight (lbs)	135	309	386

Order ref.	4046760	4052718	4052419
Price (\$)	\$10,320	\$20,768	\$22,932

Price Group 45

REQUIRED INLET WATER SEPARATOR

Order ref.	4005005	4004735	4004736
Price (\$)	\$241	\$266	\$348

Price Group 82

OPTIONAL 1 µm PRE-FILTRATION

Order ref.	4015378	4005492	4005841
Price (\$)	\$308	\$377	\$471

Price Group 82

OPTIONAL EQUIPMENT

Bypass valve, mounted and tested	4043063	4025315	4025315
Price (\$)	\$1,582	\$1,824	\$1,824

Price Group 82

The residual oil content can be monitored continuously using the METPOINT® OCV Compact. When installing the BEKOKAT® downstream of a compressor with aftercooler, a water separator needs to be installed. Please consult our technical department before ordering.

- › Attainable residual oil at outlet: $\leq .003 \text{ mg/m}^3$
- › Oil-free air independent from ambient conditions
- › Produces germ-free, sterile air
- › ISO 8573-1, Class 1 certified
- › Min. / max. ambient conditions: 41 °F / 113 °F
- › Min. / max. inlet air temperature: 41 °F / 131 °F
- › Max. operating pressure: CC 035-425: 232 psig | CC10 & iCC 705: 160 psig

Maintenance Interval: < 8,000 hours
 Maintenance and Spare Parts: Page 146
 Extended Warranty: Page 158

BEKOKAT®	iCC 105	iCC 210	iCC 425	iCC 705
Flow Rate (scfm)	105	210	425	705
Pipe Size (NPT)	1¼"	1½"	2"	2½"
Voltage (VAC)	460 V / 3 Ph	460 V / 3 Ph	460 V / 3 Ph	460 V / 3Ph
Installed power (kW)	2.64	5.14	8.74	13.84
Average Power (kW)	1.33	2.17	3.26	3.75
Dimensions and Weight				
H x W x D (inches)	60 x 40 x 22	49 x 69 x 28	75 x 60 x 30	69 x 80 x 36
Weight (lbs)	441	717	1,169	1,636

Order ref.	4052719	4051082	4051081	4052720
Price (\$)	\$28,697	\$37,979	\$54,385	\$74,891

Price Group 45

REQUIRED INLET WATER SEPARATOR

Order ref.	4020397	4012257	4020440	4012260
Price (\$)	\$616	\$1,041	\$1,210	\$2,680

Price Group 82

OPTIONAL 1 µm PRE-FILTRATION

Order ref.	4020387	4016030	4020430	4003493
Price (\$)	\$527	\$823	\$1,042	\$2,332

Price Group 82

OPTIONAL EQUIPMENT

Bypass valve, mounted and tested	4025315	4037946	4037947	4037587
Price (\$)	\$1,824	\$2,353	\$2,659	\$4,156

Price Group 82

Correction Factors

Operating Pressure (psig)	20	40	60	80	90	100	110	120	130	140	160	180	200	230
Correction Factor	.30	.48	.65	.82	.91	1.00	1.09	1.17	1.26	1.35	1.52	1.70	1.87	2.13

The correction factors on this page provide an estimation of the performance that can be achieved with the model sizes shown. For precise sizing for your application, please contact your BEKO Technologies sales representative.

BEKOKAT® Maintenance

- replacement catalyst material for current and previous generations

Maintenance Interval: 24,000 hours

	iCC 035	iCC 070	iCC 105	iCC 210	iCC 425	iCC 705
Order ref.	4024471	4024472	4024473	4024474	4024475	4024476
Price (\$)	\$1,067	\$2,805	\$4,257	\$7,737	\$16,435	\$33,445

Price Group 45

BEKOKAT® Spare Parts

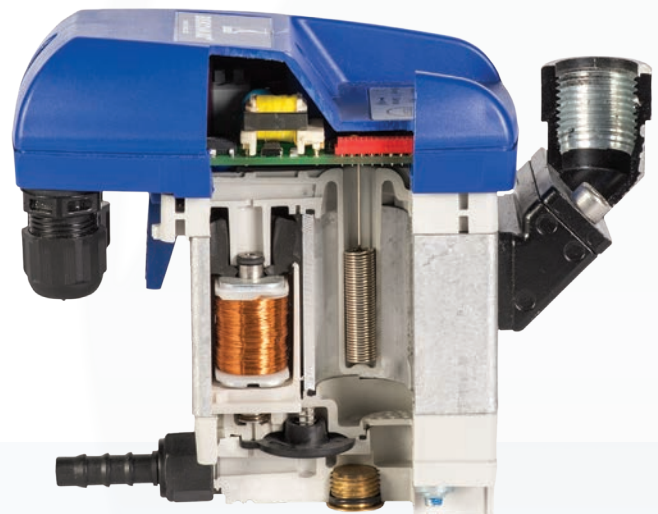
- for all model sizes and generations

	iCC / CC 035	iCC / CC 070	iCC / CC 105	
			up to serial no. CC180.07.051191	from serial no. CC180.07.0212118
Compressed Air Distributor	4024538	4024538	4024538	
Price (\$)	\$337	\$337	\$337	
Safety Valve 232 psi	4024552	4024552	4024552	
Price (\$)	\$196	\$196	\$196	
Electrical Inlet Valve	4024995	4024995	4024995	-
Price (\$)	\$869	\$869	\$869	-
Electrical Outlet Valve	4024996	4024996	4024996	-
Price (\$)	\$1,161	\$1,161	\$1,161	-
Pneumatic Inlet Valve	-	-	-	4025420
Price (\$)	-	-	-	\$438
Pneumatic Outlet Valve	-	-	-	4025421
Price (\$)	-	-	-	\$527
Pilot Valve	-	-	-	4026827
Price (\$)	-	-	-	\$587

Price Group 45

	iCC / CC 210		iCC / CC 425		iCC / CC 705
	up to serial no. CC360.07.091080	from serial no. CC360.07.091081	up to serial no. CC720.07.061075	from serial no. CC720.07.101086	
Compressed Air Distributor	4024539		4025195		4026828
Price (\$)	\$376		\$587		\$681
Safety Valve 160 psi	-		-		4026829
Price (\$)	-		-		\$707
Safety Valve 174 psi	4024553	-	4024553	-	-
Price (\$)	\$404	-	\$404	-	-
Safety Valve 232 psi	-	4024552	-	4024552	-
Price (\$)	-	\$196	-	\$196	-
Electrical Inlet Valve	-		-		-
Price (\$)	-		-		-
Electrical Outlet Valve	-		-		-
Price (\$)	-		-		-
Pneumatic Inlet Valve	-	4025422	-	4025427	4026825
Price (\$)	-	\$755	-	\$823	\$1,702
Pneumatic Outlet Valve	-	4025423	-	4025428	4026826
Price (\$)	-	\$849	-	\$939	\$1,882
Pilot Valve	-	4026827	-	4026827	4026827
Price (\$)	-	\$587	-	\$587	\$587

Price Group 45



Education and Training

Courses and Products

providing professional knowledge about the industry

- › Industry Specific Training Courses
- › Air Treatment Cutaways
- › Condensate Technology Cutaway and Demo Products with Carrying Case
- › Instrumentation Demo Products with Carrying Case

Industry Training and Demo Products

highly applicable, useful and easy to understand courses and products



2-day EPA 608 certification class including all study materials, proctored exam, and certification card upon successful completion

Location	Number of Days	Minimum Number of Trainees	Maximum Number of Trainees	Price (\$)
At BEKO USA Headquarters	2	4	16	\$668 per person
Off-site in the U.S.	2	4	16	\$668 per person
Outside of the U.S.	Consult Factory			



DRYPOINT® RA Training

Location	Number of Days	Minimum Number of Trainees	Maximum Number of Trainees	Price (\$)
At BEKO USA Headquarters	2	8	16	FREE
Off-site in the U.S.	2	4	16	\$2,058 per day
Outside of the U.S.	Consult Factory			



DRYPOINT® X Training

Location	Number of Days	Minimum Number of Trainees	Maximum Number of Trainees	Price (\$)
At BEKO USA Headquarters	2	8	16	FREE
Off-site in the U.S.	2	4	16	\$2,058 per day
Outside of the U.S.	Consult Factory			



BEKOMAT® / CLEARPOINT® / QWIK-PURE® / METPOINT® / BEKOKAT® Training

Location	Number of Days	Minimum Number of Trainees	Maximum Number of Trainees	Price (\$)
At BEKO USA Headquarters	2	8	16	FREE
Off-site in the U.S.	2	4	16	\$2,058 per day
Outside of the U.S.	Consult Factory			

Industry Training and Demo Products

highly applicable, useful and easy to understand courses and products



cutaway of filter element with stand



cutaway of aluminum heat exchanger profile with stand



cutaway of hot gas bypass valve



cutaway of DRYPOINT® MDP with integrated pre-filter

Air Treatment	CLEARPOINT® Filtration	DRYPOINT® RA Refrigerant Dryer		DRYPOINT® M Membrane Dryer
Order ref.	4040053	4041105	4041106	4009819
Net Price (\$)	\$136	\$214	\$129	\$551



cutaway of BEKOMAT® 32 multi-voltage zero air loss drain



set of BEKOMAT® 3x series drains with one 31, one 32 cutaway, one 33 and universal heating kit in hard shell carrying case

Condensate Technology	BEKOMAT® Condensate Drains	
Order ref.	4024398	Contact Your Regional Sales Manager
Net Price (\$)	\$513	\$1,059



fully functioning touch screen display with data log, pressure dew point sensor and cables with hard shell carrying case



fully functioning touch screen display with data log, flow sensor and cables with hard shell carrying case

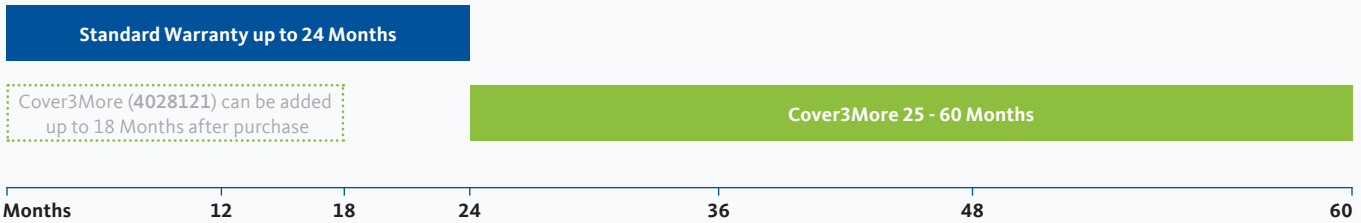
Instrumentation	METPOINT® BDL and Sensor Packages	
Order ref.	4054653	4047594
Net Price (\$)	\$2,287	\$3,349

Commercial Information

Extended Warranty Program Terms and Conditions



At a Glance



Cover3More is available on all our product lines			
DRYPOINT® RX/RA	Refrigerant Air Dryers	BEKOMAT®	Zero Air Loss Drains
DRYPOINT® X / AC	Desiccant Air Dryers	QWIK-PURE®	Oil-water Separators
DRYPOINT® M	Membrane Air Dryers	METPOINT®	Instrumentation
CLEARPOINT®	Filters and Water Separators	BEKOKAT®	Hydrocarbon Removal Systems

How it Works

1. Select the product or products that you wish to cover with the extended warranty.
2. Simply add 8% to the net price of each product or call your sales representative if you need help calculating your final net price.
3. Include order reference number 4028121 as a line item with your purchase order or purchase the warranty extension up to 18-months post-sale.

What we need from you: It's not much. In fact, if you are purchasing the Cover3More extended warranty with a new equipment purchase, all you have to do is include a line item on your order indicating which items you wish you cover, and we will take care of the rest. If you happen to be adding coverage to a product you've already taken delivery of, then all we need is the company name and contact information of the original purchaser, the product model number of the product to be covered, serial number, and original purchase order number or BEKO Technologies invoice number, and we will apply coverage appropriately. **Please feel free to contact us at +1 (800) 235-6797 to get started.**

All maintenance procedures, including filter element changes, must be carried out in accordance with the manual in order to maintain any warranty.

Terms and Conditions

the following terms and conditions of sale govern all purchases from BEKO Technologies, Corp. ("BEKO USA")

1. Price/Delivery.

All prices are "ex-works" BEKO USA's place of business and are exclusive of transportation costs, insurance, and applicable taxes. Title and risk of loss or damage pass upon tender of delivery of the product to the carrier. BEKO USA will arrange for transportation and insurance at Buyer's expense. The shipping date is an estimate and is subject to change by BEKO USA. The price stated includes only the product specified and is firm only for the period stated. Taxes shall be the responsibility of Buyer.

2. Acceptance.

All orders are subject to acceptance by BEKO USA at its place of business.

3. Delays.

BEKO USA will not be responsible or liable for any loss, damage, or delay caused or occasioned by acts of God, transportation delays, accidents, fire, strike, civil or military authority, by the requirements of any statute, order, or directive of any government authority, or by any other cause beyond BEKO USA's reasonable control.

4. Inspection.

Buyer shall promptly inspect the products upon receipt and shall notify BEKO USA in writing of any nonconformity or defect within 10 days after receipt by Buyer. In the event Buyer does not act within the time limit, Buyer agrees that it shall be conclusively presumed to have accepted the products and to have waived any defect discoverable upon reasonable inspection. Where any tender of delivery by BEKO USA is rejected by Buyer as a result of a non-conformity or defect, BEKO USA may seasonably notify the Buyer of BEKO USA's intention to cure and may then make a conforming delivery within a reasonable time, said reasonable time to be at least thirty (30) days following receipt of notice of Buyer that the goods are non-conforming or defective.

5. Payment/Security Interest.

Unless otherwise stated herein, the purchase price shall be payable to BEKO USA in U.S. dollars at BEKO USA's place of business, net 30 days from the invoice date. Amounts not paid when due will bear a late payment charge of 1.5% per month after 30 days. Buyer grants BEKO USA a purchase money security interest in the products and any proceeds thereof, as security for Buyer's obligation to pay the purchase price, and Buyer agrees to execute any financing statement or other instrument required to perfect such security interest. Buyer hereby agrees to BEKO USA's Terms and Conditions on the reverse side of the Invoice and grants BEKO USA a security interest, as defined by Article 9 of the Uniform Commercial Code, in the goods shipped by BEKO USA.

6. Warranty / Disclaimer.

All products manufactured by BEKO USA are warranted to the original buyer, for a period of 24-months. The warranty period begins on the date of shipment or upon final installation of product at BEKO USA's discretion. The products are warranted to be free of any defects in materials and workmanship, which render the products unfit for their intended use, and to conform to their specifications provided. Any warranty coverage including any extended warranty requires that all maintenance procedures, including filter element changes, must be carried out in accordance with the manual in order to maintain warranty coverage. For product lines DRYPOINT® RA, RA HT, RA LC and RS HP the warranty coverage is only provided if the following mandatory requirement is fulfilled: a CLEARPOINT® coalescing filter, Type-F [1 micron] or Type-S [0.01 micron] as manufactured by BEKO USA, must be installed directly at the inlet of the dryer. For product lines DRYPOINT® M, X and AC the warranty coverage is only provided if the following mandatory requirement is fulfilled: a CLEARPOINT® coalescing filter, Type-S [0.01 micron] as manufactured by BEKO USA, must be installed directly at the inlet of the dryer. For product lines DRYPOINT® RA, RA HT, RA LC and RS HP the heat exchanger is warranted to the original buyer, for a period of 60-months from the date of shipment or upon final installation of product at BEKO USA's discretion. The heat exchanger is warranted to be free of any defects in materials and workmanship, which render the heat exchanger to fail in its intended use or to conform to the original specifications provided. BEKO USA maintains, at their discretion, the option to offer the same warranty on the aforementioned product lines where no filter is present or another manufacturer's filter has been employed, provided that the previously stated performance and installation requirements, as well as the product quality standards of BEKO USA, have been met. The standard 24-month warranty for all products consists of a full warranty which includes parts and labor. The standard 60-month warranty specific to refrigerant air dryer heat exchangers consists of a full warranty which includes parts and labor. Labor costs are limited to a maximum hourly rate of \$88 (85 USD) and limited to certain maximum time allowances that have been predetermined by BEKO USA for a variety of specific maintenance and repair tasks. Incidental costs are not included. Refer to the [Technical Service Support and Warranty Policy](#), which is available for your review by accessing the hyperlink provided above or obtained as an electronic copy from the Technical Service section of [BEKO USA's official website](#). This Policy shall provide you with comprehensive information regarding product warranties, procedures, and reimbursement.

The optional 36-month warranty extension (i.e. Cover3More) is a limited extended warranty that covers parts only from months 25-60 and the extension does not apply to refrigerant air dryer heat exchangers. All of the aforementioned installation, performance, and quality requirements, however, must still be met in order to maintain extended warranty coverage. Failure to do so will render all warranties null and void. The limited extended warranty coverage may be purchased and applied to any of the BEKO USA product lines included in the scope of the Cover3More extended warranty program from the original date of sale up to 18-months thereafter. Extended warranty coverage may not be purchased during the final 6-months of the standard warranty coverage, which are months 19-24 from the date of shipment or at BEKO USA's discretion, the date of installation. The purchase price of the Cover3More limited extended warranty is not prorated and the current published purchase price is always applied. Should the extended warranty coverage be purchased post-delivery or sale then the serial number of all products to which the warranty shall be extended must be provided to BEKO USA at the time of purchase. Subject to terms in this Section, BEKO USA will repair or replace, at its option, any products or components that are found to be defective or nonconforming, provided that Buyer gives written notice of the defect or nonconformity within the warranty period. Buyer shall make the product or component available for BEKO USA's inspection or, at BEKO USA's option, shall return the product or component to BEKO USA FOB its manufacturing facility designated by BEKO USA. BEKO USA will return the product or component to Buyer, freight prepaid, to any location in the continental United States. This warranty shall be void in the event of: (a) Buyer's performing any warranty repair work to the product, whether directly or indirectly, without first obtaining written authorization from BEKO USA; (b) any modifications or additions to the product not previously expressly approved in writing by BEKO USA; (c) use of non-authorized replacement parts on the product; (d) misuse or failure to maintain or service the product in accordance with BEKO USA recommendations and guidelines. The warranty excludes all normal maintenance services. This warranty applies only if Buyer has followed BEKO USA's approved maintenance schedules and procedures. THIS WARRANTY IS IN LIEU OF ALL OTHER WARRANTIES OR OBLIGATIONS, EXPRESSED OR IMPLIED. BEKO USA EXPRESSLY DISCLAIMS ALL IMPLIED WARRANTIES OF MERCHANTABILITY OR FITNESS FOR A PARTICULAR PURPOSE. BUYER'S EXCLUSIVE REMEDY FOR BREACH OF WARRANTY IS REPLACEMENT OR REPAIR, AT BEKO USA'S OPTION. BUYER'S SOLE REMEDY IS LIMITED TO REPAIR OR REPLACEMENT OF NON-CONFORMING GOODS. THERE ARE NO WARRANTIES WHICH EXTEND BEYOND THE PROVISIONS OF THESE TERMS AND CONDITIONS.

7. Warning to Users.

BUYER ACKNOWLEDGES THAT USE OF THE BEKO USA PRODUCTS REQUIRES CAUTION ON THE PART OF USERS AND THAT FAILURE TO USE SUCH CAUTION CAN CAUSE SERIOUS PERSONAL INJURY. BUYER SHALL INSTRUCT ITS EMPLOYEES AND ANY OTHER PERSONS WHO MAY COME IN CONTACT WITH THE PRODUCTS ON PROPER USE AND SHALL PLACE APPROPRIATE WARNINGS IN LOCATIONS REASONABLY NECESSARY TO ALERT SUCH EMPLOYEES AND OTHER PERSONS TO THE NEED FOR CAUTION IN CONNECTION WITH USE OF THE PRODUCTS. BUYER SHALL INDEMNIFY AND HOLD HARMLESS BEKO USA FROM ANY LOSS, CLAIM, OR DAMAGES, INCLUDING ATTORNEYS' FEES AT TRIAL AND ON APPEAL, CAUSED IN WHOLE OR IN PART BY BUYER'S FAILURE TO COMPLY WITH THE REQUIREMENTS OF THIS SECTION.

8. Limitations of Liability.

EXCEPT AS OTHERWISE EXPRESSLY PROVIDED IN THESE TERMS AND CONDITIONS IN NO EVENT WILL BEKO USA BE LIABLE FOR ANY DIRECT, INDIRECT, SPECIAL, INCIDENTAL, OR CONSEQUENTIAL DAMAGES OF ANY KIND, SUSTAINED FROM ANY CAUSE RELATING TO THE PRODUCT OR ARISING OUT OF ANY LEGAL THEORY, WHETHER BREACH OF CONTRACT, NEGLIGENCE OR STRICT TORT LIABILITY. IN NO EVENT SHALL BEKO USA BE LIABLE TO BUYER FOR ANY CLAIM, WHETHER BASED UPON BREACH OF CONTRACT, NEGLIGENCE, STRICT TORT LIABILITY OR ANY OTHER LEGAL THEORY, ARISING OUT OF OR RELATING TO THE PRODUCTS SOLD, IN AN AMOUNT EXCEEDING THE PURCHASE PRICE OF THE SUBJECT PRODUCT. ANY LAWSUIT AGAINST BEKO USA, ITS OFFICERS, DIRECTORS, EMPLOYEES, OR AFFILIATES, ARISING OUT OF OR RELATING TO THE SUBJECT PRODUCT, MUST BE FILED WITHIN ONE YEAR FROM SHIPMENT OF THE PRODUCT BY BEKO USA.

9. Disputes.

THIS SALE TRANSACTION SHALL BE DEEMED TO HAVE BEEN MADE AND ENTERED INTO IN ATLANTA, FULTON COUNTY, GEORGIA. THESE TERMS AND CONDITIONS SHALL BE CONSTRUED UNDER THE LAWS OF THE STATE OF GEORGIA. BUYER HEREBY EXPRESSLY AGREES THAT FOR ALL ACTIONS OR PROCEEDINGS ARISING OUT OF OR RELATING TO THESE TERMS AND CONDITIONS OR THE PRODUCT BUYER WAIVES ALL RIGHTS TO A JURY TRIAL, AND JURISDICTION AND VENUE SHALL BE PROPER AND LIE SOLELY IN THE COURTS OF FULTON COUNTY, GEORGIA AND SHALL, ACCORDINGLY, BE HEARD ONLY IN SUCH COURTS. ANY DISPUTE, CONTROVERSY OR CLAIM ARISING OUT OF OR RELATED TO THESE TERMS AND CONDITIONS OR THE PRODUCT SHALL BE SOLELY AND EXCLUSIVELY RESOLVED BY BINDING ARBITRATION IN FULTON COUNTY, GEORGIA PURSUANT TO THE EXPEDITED PROCEDURES OF THE COMMERCIAL ARBITRATION RULES OF THE AMERICAN ARBITRATION ASSOCIATION THEN IN EFFECT. ANY ARBITRATION AWARD SHALL BE FINAL AND CONCLUSIVE AND A JUDGMENT THEREON MAY BE ENTERED IN THE SUPERIOR COURT OF FULTON COUNTY, GEORGIA. THE ARBITRATOR MAY AWARD ATTORNEYS' FEES AND COSTS.

10. Export Restrictions.

Buyer shall at all times comply with United States laws and regulations governing export control. Buyer shall not use, lease, or sell any products purchased from BEKO USA in any country, or to any other purchaser or lessee in any country of destination specified in Buyer's order, except in a manner expressly permitted by such laws and regulations.

11. Patents.

If Buyer becomes aware of any claim or allegation that a BEKO USA product infringes the patent or other rights of any third party, Buyer shall immediately notify BEKO USA in writing and shall give BEKO USA sufficient information to evaluate, defend, and possibly settle the claim. BEKO USA shall thereafter at its own expense and option: (a) settle the claim; (b) procure for Buyer the right to use the product; (c) replace or modify the product; (d) remove the product and refund the purchase price; or (e) defend the claim. If Buyer complies with its obligations under this paragraph, BEKO USA, using legal counsel of its exclusive choice, shall defend Buyer against any infringement claim based upon Buyer's use of the BEKO USA product and shall pay any costs and damages finally awarded by a court of competent jurisdiction based upon a finding that the BEKO USA product infringes the rights of a third party. If a court of competent jurisdiction enjoins use of the product, BEKO USA shall, at its option, undertake one of the options described in Clauses (b), (c), and (d) above or appeal such decision. This indemnity shall not apply to BEKO USA products that have been made to the specification or design of Buyer or to any product or part not manufactured by BEKO USA. The rights set forth in this paragraph shall be the sole and exclusive rights of Buyer with respect to patent and other intellectual property rights.

12. Returns.

Products may be returned to BEKO USA only with BEKO USA's prior written authorization. Refunds, restocking fees, and any other disputed amounts are subject to the exclusive discretion of BEKO USA for ALL products. BEKO USA reserves the right to refuse the return of any product at any time and for any reason. In order to receive credit, parts must be returned in their original, complete packaging and in unused condition. If a part is returned without the original packaging, BEKO USA will deduct the necessary amount from the credit to cover the cost of repackaging the return. Equipment and parts may be returned within 60-days from the date of purchase. All items are subject to a 10% restocking fee.

13. Precedence.

These terms and conditions take precedence over Buyer's additional or different terms and conditions, and BEKO USA's agreement to sell products to Buyer, and any acceptance by Buyer, are specifically limited to these terms and conditions. In the absence of Buyer's signature Buyer shall be bound by all of these terms and conditions: (a) 10 days after Buyer receives these terms and conditions unless written notice of objection is given to BEKO USA within the 10-day period; (b) when Buyer issues any instructions to BEKO USA and BEKO USA makes a substantial beginning of manufacture of the products or commitments for their procurement; (c) with respect to any products for which payment has been made and accepted or which Buyer has received and accepted.

14. Entire Agreement.

THESE TERMS AND CONDITIONS TOGETHER WITH ALL INVOICES FROM BEKO USA CONSTITUTE THE ENTIRE AGREEMENT BETWEEN THE PARTIES WITH RESPECT TO THE SUBJECT PRODUCTS, AND ANY REPRESENTATIONS, PROMISES, WARRANTIES OR STATEMENTS THAT DIFFER IN ANY WAY THEREFROM SHALL BE GIVEN NO FORCE OF EFFECT. THESE TERMS AND CONDITIONS MAY NOT BE MODIFIED EXCEPT IN WRITING SIGNED BY BEKO USA.

Reliable | Efficient | Innovative

What can we do for you?



BEKO TECHNOLOGIES CORP.
900 Great Southwest Pkwy SW
Atlanta, GA 30336
USA
Phone +1 (404) 924-6900
www.bekousa.com

